

Roof Rack Leg Cover & Cross Bar Installation During PDS

Service Category General

Section Pre-Delivery Service

Market USA

Toyota Supports
 ASE Certification 

Applicability

YEAR(S)	MODEL(S)	ADDITIONAL INFORMATION
2014	4Runner	

Introduction

To prevent paint damage during transportation, the roof rack leg covers and cross bars are kept inside the vehicle so that the Rapgard™ protective film can remain in place on the roof panel. Install roof rack leg covers on all vehicles according to the procedure outlined in this bulletin. Install the roof rack cross bars, if equipped, to the roof rack rails according to the following procedure during Pre-Delivery Service (PDS).

NOTICE

To prevent damage to the front and rear roof rack leg covers, install the cross bar stoppers at each end of the right and left roof rack rails.

Warranty Information

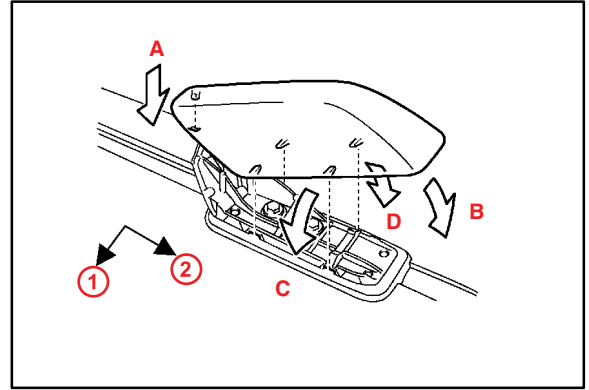
OP CODE	DESCRIPTION	TIME	OFP	T1	T2
N/A	Not Applicable to Warranty	–	–	–	–

Roof Rack Leg Cover & Cross Bar Installation During PDS

Roof Rack Leg Cover Installation Procedure

1. Install the right and left rear roof rack leg covers in the following sequence (labeled in Figure 1).
 - A. Insert the protrusion at the front of the cover into the roof rack rail.
 - B. Place the cover on the leg, aligning each rear end. At this time, do NOT press the cover down.
 - C. Engage the cover claws located toward the outside of the vehicle.
 - D. Engage the cover claws located toward the inside of the vehicle.

Figure 1.



1	Outside
2	Rear

NOTICE

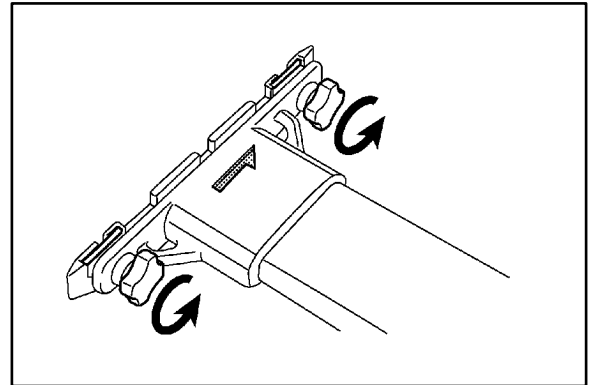
If the inside and outside cover claws are pressed down at the same time, the cover claws may be damaged.

2. Check that the covers are installed securely.

Cross Bar Installation Procedure

1. Loosen the adjustment knobs on each cross bar joint.

Figure 2.



NOTICE

Do NOT remove adjustment knobs completely.

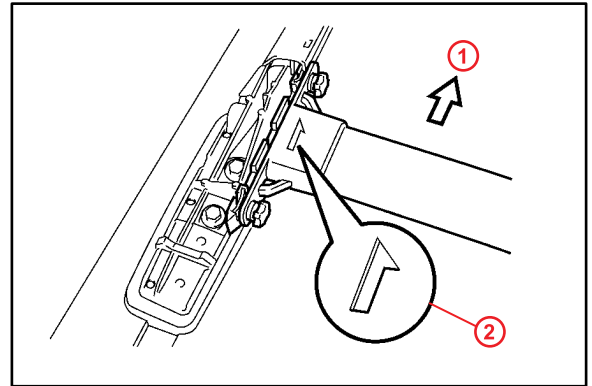
Roof Rack Leg Cover & Cross Bar Installation During PDS

Cross Bar Installation Procedure (Continued)

- Slide the cross bar ends into the grooves of the right and left roof rack rails with the arrow on each cross bar facing forward.

NOTE
The cross bars will create wind noise at highway speeds if they are installed backwards.

Figure 3.

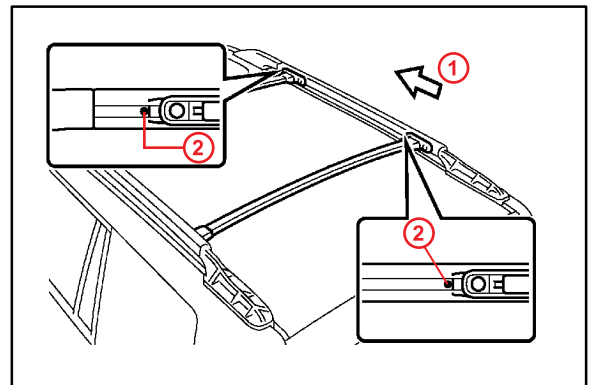


1	Front
2	Arrow Mark

- Align the ends of the front and rear cross bars with the paint marks on the roof rack as illustrated. Securely tighten the knobs.

NOTE
Placing the cross bars at the paint marks on the roof rack side rails minimizes wind noise generated by the cross bars.

Figure 4.



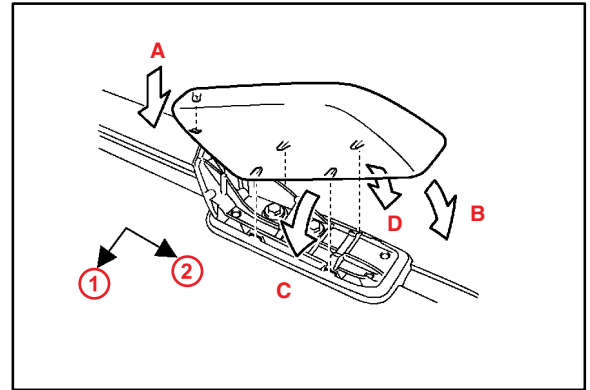
1	Front
2	Paint Mark

Roof Rack Leg Cover & Cross Bar Installation During PDS

Cross Bar Installation Procedure (Continued)

4. Install the right and left rear roof rack leg covers in the following sequence (labeled in Figure 5).
 - A. Insert the protrusion at the front of the cover into the roof rack rail.
 - B. Place the cover on the leg, aligning each rear end. At this time, do NOT press the cover down.
 - C. Engage the cover claws located toward the outside of the vehicle.
 - D. Engage the cover claws located toward the inside of the vehicle.

Figure 5.



1	Outside
2	Rear

NOTICE

If the inside and outside cover claws are pressed down at the same time, the cover claws may be damaged.

5. Check that the covers are installed securely.

Roof Rack Leg Cover & Cross Bar Installation During PDS

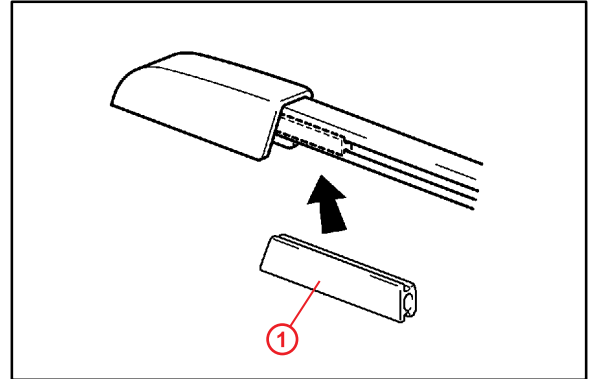
Cross Bar Installation Procedure (Continued)

6. Install the cross bar stopper at the front and rear ends of the right and left roof rack rail.

NOTICE

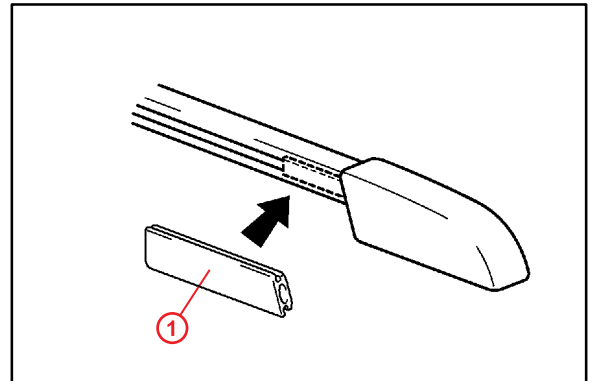
Cross bar stoppers are installed to prevent damage caused by interference between the cross bar and the front and rear roof rack leg covers.

Figure 6. Front



1 Cross Bar Stopper

Figure 7. Rear



1 Cross Bar Stopper