

TCMC Front Brake Pad Noise

Service Category Brake

Section Brake (front)

Market USA

Toyota Supports
 ASE Certification 

Applicability

YEAR(S)	MODEL(S)	ADDITIONAL INFORMATION
2003 – 2008	Corolla	
2003 – 2008	Matrix	

Introduction

Some 2003 – 2008 model year Corolla and Matrix vehicles installed with TCMC (Toyota Complete Maintenance Care) front brake pads may exhibit a groan or squeak noise in various driving conditions. Improved brake pads have been made available to help address this condition.

Parts Information

PART NUMBER		PART NAME	QTY
PREVIOUS	NEW		
04465-AZ003-TM	04465-AZ022-TM	Front Brake Pad Kit	1

Warranty Information

OP CODE	DESCRIPTION	TIME	OPF	T1	T2
473301	R & R Front Brake Pad	0.8	04465-AZ003-TM	91	99

APPLICABLE WARRANTY

- This repair is covered under the Toyota Service Part Warranty. This warranty is in effect for 12 months from the date of installation, unlimited mileage.
- Warranty application is limited to occurrence of the specified condition described in this bulletin.

Required Tools & Equipment

REQUIRED MATERIAL	PART NUMBER	QUANTITY
Toyota Brake Cleaner	00289-2BC00	1
Lithium Soap Based Glycol Grease	08887-01206	1

TCMC Front Brake Pad Noise

Repair Procedure

NOTE

Prior to beginning work, ensure that all previous brake related Service Bulletins for the vehicle have been applied.

1. Raise and secure the vehicle.

Place vehicle on a lift and raise using recommended lift points.
2. Remove the front wheels by removing the lug nuts.
3. Remove the brake caliper assembly.
 - A. Remove the sliding pins/bolts and remove the caliper from the caliper mounting bracket.
 - B. Carefully hang brake calipers so no strain is placed on the brake hoses.
 - C. Remove brake pads from mounting bracket.
 - D. Remove the caliper mounting bracket bolts and remove the caliper mounting bracket.
 - E. Save wear indicators (if applicable).
 - Replace if damaged or worn.
 - Discard used brake pads.
 - Discard used anti-squeal shims.
4. Clean and re-grease caliper sliding pins.
 - A. Replace worn or damaged parts as necessary.
 - B. Using brake cleaner, flush caliper of all old sliding pin grease. Clean the sliding pins of old grease.
 - C. Re-grease the sliding pins with Toyota lithium soap-based glycol grease (P/N 08887-01206).
5. Inspect the front discs.
 - A. Remove the rotors.
 - If rotor is difficult to remove, use the threaded holes to assist removal. Place bolts in the holes and tighten to assist removal.
 - If corrosion is present, use a rust penetrant to remove corrosion.
 - B. Using a micrometer, check rotor thickness. If rotor is below the minimum allowable thickness, replace the rotor. (Refer to the applicable Repair Manual for further information.)
 - C. Ensure rotor mounting surface (backside of rotor hat) and hub are free of debris or corrosion. If necessary, clean with a wire brush.

TCMC Front Brake Pad Noise

Repair Procedure (Continued)

D. Re-install brake rotors.

- (1) Using a dial indicator, measure the lateral run-out. (Refer to the applicable Repair Manual for further information.)
 - If the run-out is more than the maximum, change the installation position of the disc to minimize run-out.
 - If the run-out is more than the maximum even when the installation position is changed, turn or machine the rotor.
- (2) If the rotor needs to be turned or machined, use an on-car brake rotor lathe (preferred) or remove and turn on a brake lathe. (Refer to brake lathe specific instructions for details.)

NOTE

Before turning or machining rotor, make sure inside rotor mounting surface and brake lathe hub are free from debris or corrosion.

- (3) Install rotor (if rotor was replaced or removed for turning).

NOTE

- **Make sure rotor mounting surface and hub are free of debris or corrosion.**
- **Clean rotor friction surfaces with brake cleaner if needed.**

- (4) Install rotor onto hub.
- (5) Use lug nuts to retain rotor to hub while installing caliper.

E. Inspect and reinstall the caliper mounting bracket.

- (1) Inspect the mounting bracket for any damage, rust, corrosion, or debris. If damaged, replace the mounting bracket. Remove any rust, corrosion, or debris using a wire brush or similar tool.
- (2) Install the mounting bracket and mounting bracket bolts.
- (3) Using a torque wrench, tighten the caliper mounting bolts.
Torque: 107 N*m (1,089 kgf*cm, 79 ft*lbf)

TCMC Front Brake Pad Noise

Repair Procedure (Continued)

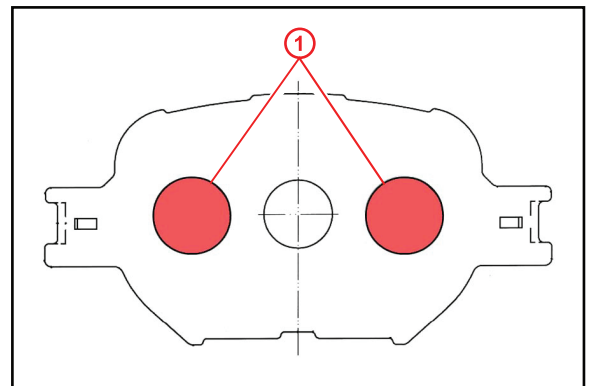
6. Install the front brake pads.
 - A. Install new anti-squeal shims onto the brake pads.

NOTICE

- **ONLY** use the supplied anti-squeal shims and brake shim grease. Do **NOT** re-use old or OE shims or any other grease products on the shims.
- Do **NOT** apply grease to the entire area of the backing plate.

Apply 1 – 2 mm thickness of supplied TCMC shim grease to the areas of the brake pad backing plate as indicated.

Figure 1.



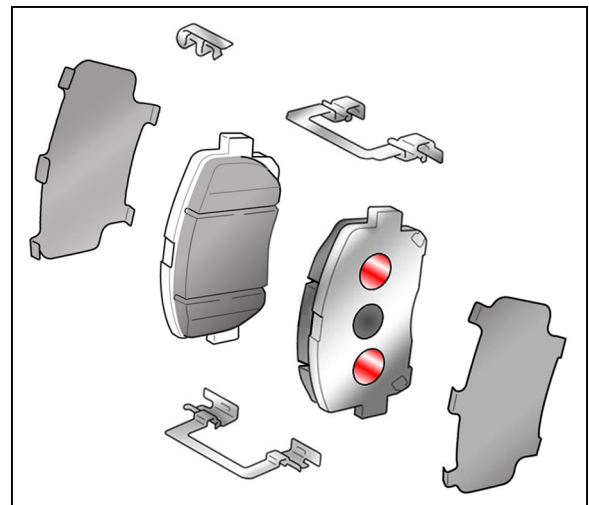
1 Apply Shim Grease Here

- B. Install the anti-squeal shims on the brake pad backing plate.

HINT

Seat the 2 bottom clips first and finish by snapping the 3 top clips over the pad backing plate top edge.

Figure 2.



- C. Install the pad support plates onto the mounting bracket.

NOTICE

- **Make sure the pad support plates have sufficient rebound, no deformation, no cracks or wear, and that all rust and dirt are removed.**
- **Do NOT apply grease or lubricants to pad support plates when reinstalling.**

TCMC Front Brake Pad Noise

Repair Procedure (Continued)

- D. Install wear indicators onto brake pads (if applicable). Replace if damaged or worn.
- E. Install brake pads with shims into the mounting bracket.

NOTE

- Ensure brake pads are free of all contaminants.
- Clean pad friction surfaces with brake cleaner if needed.

- 7. Reinstall caliper.
 - A. Retract the caliper pistons.

HINT

Remove some fluid from the brake reservoir to prevent overflow when the piston is pushed back (if needed).

- B. Install caliper over the rotor and onto the mounting bracket. Install caliper sliding pins/bolts.
Torque: 34 N*m (350 kgf*cm, 25 ft*lbf)
- 8. Reinstall wheels.
Using a torque wrench, tighten the lug nuts.
Torque: 103 N*m (1,050 kgf*cm, 76 ft*lbf)
- 9. Check brake fluid level.
Pump the brake pedal and check fluid level. Add fluid if needed.
- 10. Lower the vehicle and test drive to confirm the noise is no longer present.