

# Repair Manual Supplement: Replacement of Antenna Mast

**Service Category** Audio/Visual/Telematics

**Section** Audio/Video

**Market** USA

Lexus Supports  
ASE Certification 

## Applicability

YEAR(S)	MODEL(S)	ADDITIONAL INFORMATION
2002 – 2010	SC430	

### **SUPERSESSION NOTICE**

The information contained in this bulletin supersedes SB No. EL004-02.

- Applicability has been updated to include 2003 – 2010 model year SC 430 vehicles.

Service Bulletin No. EL004-02 is Obsolete and any printed versions should be discarded. Be sure to review the entire content of this bulletin before proceeding.

## Introduction

This bulletin details the replacement procedure for the antenna mast on 2002 – 2010 model year SC 430 vehicles.

## Warranty Information

OP CODE	DESCRIPTION	TIME	OFP	T1	T2
N/A	Not Applicable to Warranty	–	–	–	–

## Replacement Procedure

### **NOTE**

This procedure should be performed by 2 people.

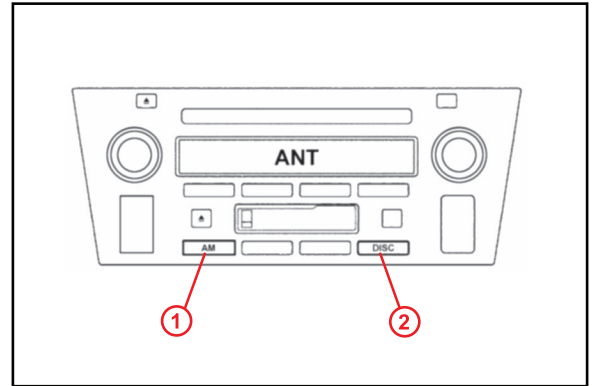
1. Turn the ignition switch to LOCK.
2. Remove the antenna nut and antenna ornament of the antenna assembly.

## Repair Manual Supplement: Replacement of Antenna Mast

### Replacement Procedure (Continued)

3. Press *AM* and *DISC* simultaneously and turn the ignition switch to *ACC*. The radio display will show *ANT* and the antenna mast will extend to its maximum length.

Figure 1.



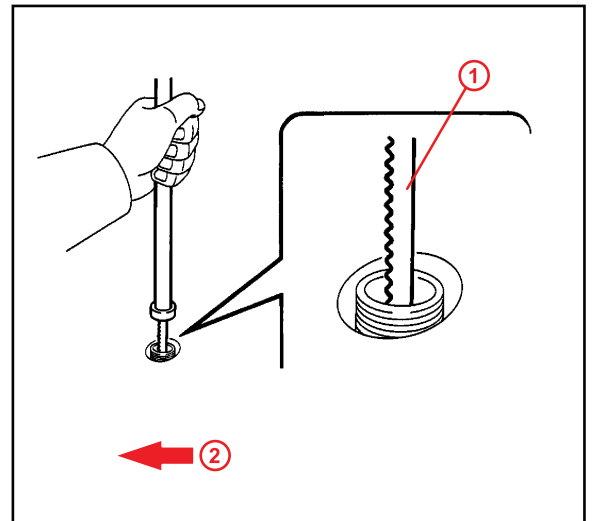
1	AM Switch
2	DISC Switch

4. Once extended to the maximum length, pull the antenna mast out from the antenna assembly. Leave the ignition switch in *ACC*.
5. Insert the replacement antenna mast into the antenna assembly until it reaches the bottom.

**HINT**

Orient the teeth on the antenna mast cable towards the rear of the vehicle.

Figure 2.



1	Antenna Mast Cable
2	Rear of Vehicle

## Repair Manual Supplement: Replacement of Antenna Mast

---

### Replacement Procedure (Continued)

6. Turn the ignition switch to LOCK and allow for the antenna mast to retract fully.

**HINT**

**If the cable is not properly oriented, the antenna mast may not fully retract even though the motor works. In this case, perform steps 1, 3, 5, and 6 again.**

7. Install the antenna ornament.
8. Tighten the antenna nut of the antenna assembly.
9. Confirm that the antenna mast retracts and extends correctly.