

Floor Mat Installation During PDS

Service Category General

Section Pre-Delivery Service

Market USA

Toyota Supports
 ASE Certification 

Applicability

YEAR(S)	MODEL(S)	ADDITIONAL INFORMATION
2014	4Runner, Avalon, Avalon HV, Camry, Camry HV, Corolla, FJ Cruiser, Highlander, Highlander HV, Land Cruiser, Prius, Prius C, Prius PHV, Prius V, RAV4, RAV4 EV, Sequoia, Sienna, Tacoma, Tundra, Venza, Yaris	

REVISION NOTICE

September 6, 2013 Rev1:

- **Applicability has been updated to include 2014 model year RAV4 EV vehicles.**

Any previous printed versions of this bulletin should be discarded.

Introduction

2014 model year vehicles are equipped with driver's side floor mat retaining clips to secure the floor mat in the correct position. In addition, some models may utilize retaining clips for passenger side and rear seat floor mats as well. Follow the appropriate installation procedure to attach the driver's side, and if applicable, the passenger's side and rear seat floor mats to the vehicle carpet using the floor mat retaining clips during Pre-Delivery Service (PDS).

Floor Mat Installation During PDS

Introduction (Continued)

CAUTION

- Always verify the floor mat to assure it is designed specifically for the model and model year it is being installed in.
- **ONLY** use floor mats that can be retained using the retaining clips. All OEM Toyota floor mats are specifically designed to fit correctly and be retained using the retaining clips.
- Make sure the floor mat is properly placed on the vehicle carpet and secured with the retaining clips. If the driver side floor mat is **NOT** properly placed and secured, it could slip and interfere with the movement of the pedals during driving and may cause an accident.
- Verify the operation of the accelerator, brake, and clutch (if equipped) pedals and clearance to the mat.
- **NEVER** install more than one floor mat at a time in the driver's seating position.
- If applicable, any secondary set of floor mats (based upon customer preference, such as the all weather floor mats or other floor mats) **MUST** be placed in the trunk with all the packaging material intact. Do **NOT** install the secondary mat on top of the primary floor mat already installed in the driver's seating position.

Warranty Information

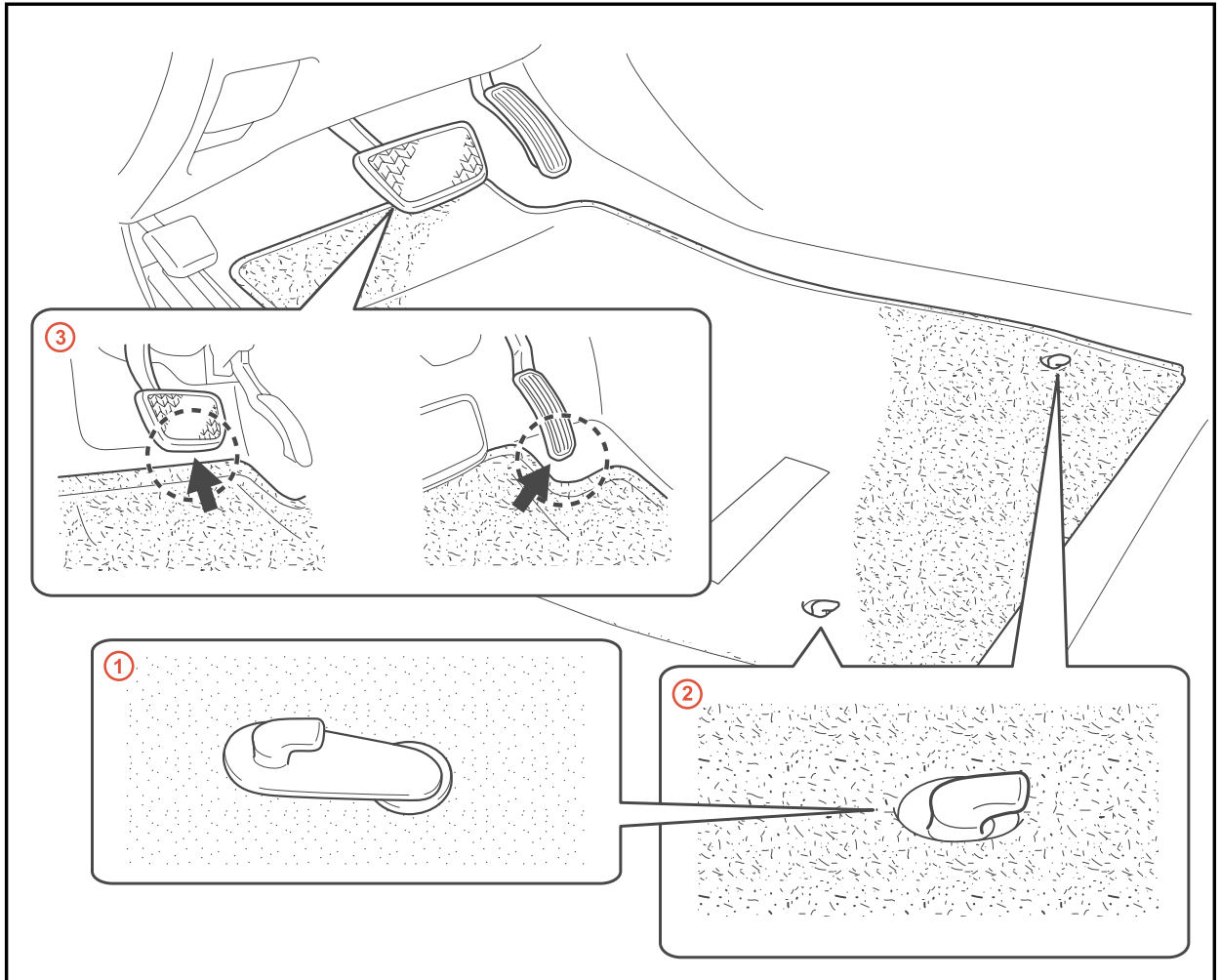
OP CODE	DESCRIPTION	TIME	OFP	T1	T2
N/A	Not Applicable to Warranty	–	–	–	–

Floor Mat Installation During PDS

Installation Procedure: Hook Style

1. Verify that the driver, and if applicable, passenger side and rear seat, floor mats are for the correct model and model year they are being installed in.
2. Attach the driver, and if applicable, passenger side and rear seat, floor mats to the vehicle carpet using the retaining clips. Secure the mat by inserting the retaining clips through the grommet holes.

Figure 1.



1	Retaining Clips
2	Grommets

3	Correct Installation
----------	-----------------------------

Floor Mat Installation During PDS

Installation Procedure: Hook Style (Continued)

3. Verify proper installation.

NOTE

If applicable, **DO NOT** remove the beige "Caution" tag from the floor mat. This should only be removed by the customer.

Figure 2.

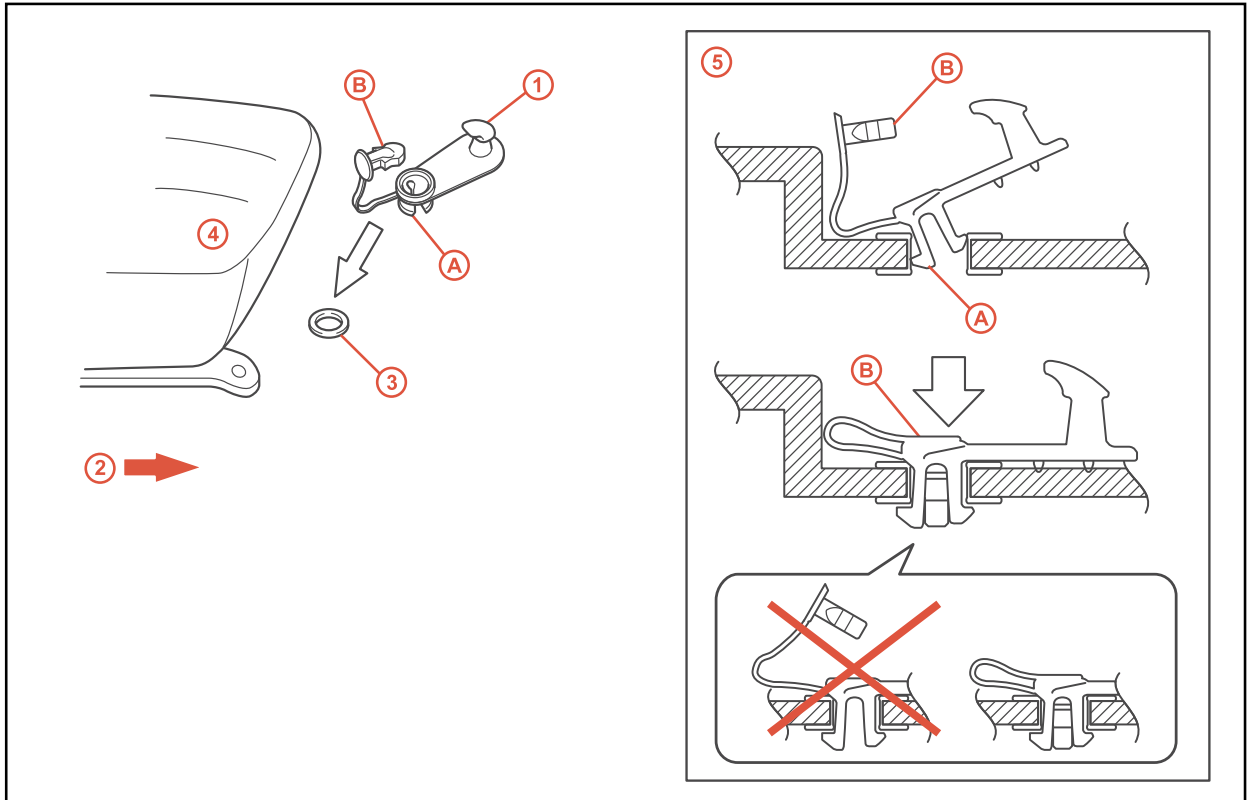


Floor Mat Installation During PDS

Installation Procedure: Hook Style with Locking Clip

1. Verify that the driver, and if applicable, passenger side and rear seat, floor mats are for the correct model and model year they are being installed in.
2. Attach the retention clip to the floor by inserting the retention clip claws into the floor eyelet.

Figure 3.



1	Retention Clip
2	Front of Vehicle
3	Retention Clip Eyelet on Vehicle Floor
4	Seat

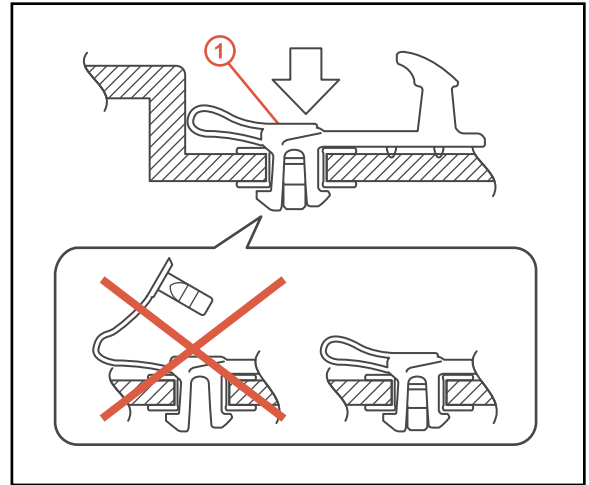
5	Cross-sectional Diagram
A	Retention Clip Claw
B	Locking Clip

Floor Mat Installation During PDS

Installation Procedure: Hook Style with Locking Clip (Continued)

3. To lock the retention clip in place, insert the locking clip of the retention clip into the designated hole.

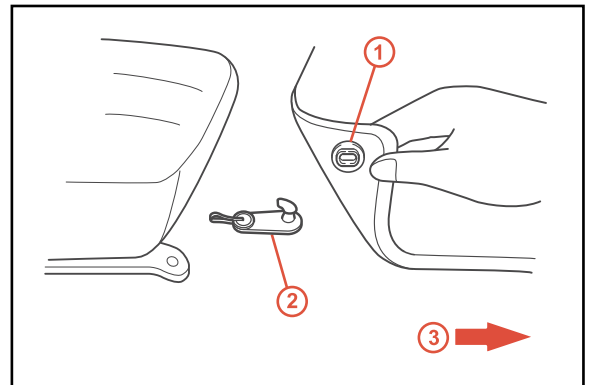
Figure 4.



1	Locking Clip
----------	---------------------

4. Align the floor mat holes with the retention clip hooks and place the floor mat holes onto the retention clip hooks.

Figure 5.



1	Retention Clip Eyelet on Floor Mat
2	Retention Clip
3	Front

Floor Mat Installation During PDS

Installation Procedure: Hook Style with Locking Clip (Continued)

5. Verify proper installation.

NOTE

If applicable, DO NOT remove the beige "Caution" tag from the floor mat. This should only be removed by the customer.

Figure 6.

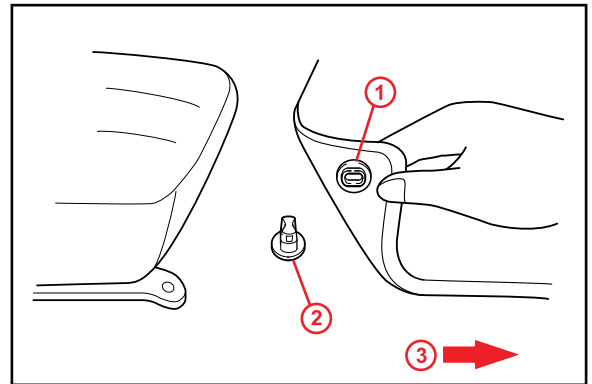


Floor Mat Installation During PDS

Installation Procedure: Pre-installed Knob Style

1. Verify that the driver, and if applicable, passenger side and rear seat, floor mats are for the correct model and model year they are being installed in.
2. Align the floor mat holes with the retention clip knobs and place the floor mat holes onto the retention clip knobs.

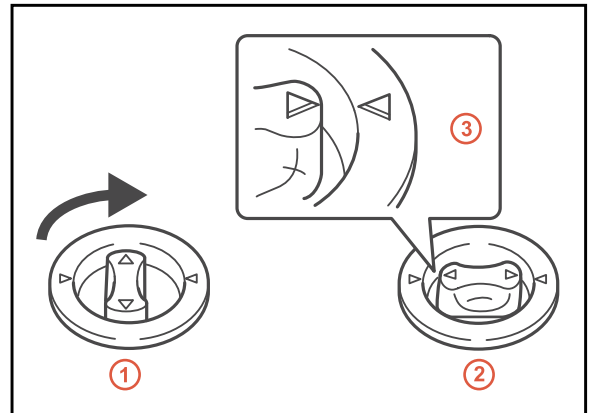
Figure 7.



1	Retention Clip Eyelet on Floor Mat
2	Retention Clip
3	Front of Vehicle

3. Turn the retention clip knobs a quarter of a turn to lock in place and verify the "triangle" marks on the retention clip knobs and floor mat are aligned.

Figure 8.



1	Twist Knob
2	Knob in Locked Position
3	Align "Triangle" Marks

Floor Mat Installation During PDS




Installation Procedure: Pre-installed Knob Style (Continued)

4. Verify proper installation.

NOTE

If applicable, **DO NOT** remove the yellow "Caution" tag from the floor mat. This should only be removed by the customer.

Figure 9.

⚠ CAUTION ⚠	⚠ PRECAUCIÓN ⚠
<ul style="list-style-type: none"> • Use this floor mat for driver's side only. • This floor mat was designed specifically for use in this model and model year vehicle and SHOULD NOT be used in any other vehicle. • To prevent the floor mat from shifting, the floor mat should be attached securely to the floor with the retention clips. • To properly use the retention clips, turn the knobs on the clips to the lock position as shown in the following illustration. • The floor mat MUST BE installed directly on the carpeted floor of the vehicle and properly secured with the retention clips. The floor mat should NEVER be installed on top of another floor mat. • NEVER place the floor mat in the vehicle upside-down or backwards. 	<ul style="list-style-type: none"> • Use este tapete únicamente para el lado del conductor. • Este tapete fue diseñado específicamente para usarse en este modelo y año de vehículo, y NO DEBE usarse en ningún otro vehículo. • Para evitar que el tapete se mueva, el tapete debe ceñirse al piso de manera segura con los sujetadores de retención. • Para usar correctamente los sujetadores de retención, gire las perillas en los sujetadores a la posición de bloqueo como se muestra en la siguiente ilustración. • El tapete DEBE instalarse directamente al piso alfombrado del vehículo y ceñirse correctamente con los sujetadores de retención. El tapete NUNCA debe instalarse encima de otro tapete. • NUNCA coloque el tapete en el vehículo boca abajo o al revés.
	
<div style="display: flex; justify-content: space-around;"> <div style="text-align: center;"> <p>FRONT FRENTE AVANT أمام</p>  <p>UNLOCK DESBLOQUEAR DÉVERROUILLER افتح</p> </div> <div style="text-align: center;"> <p>ALWAYS ALIGN MARK SIEMPRE ALINEE LAS MARCAS TOUJOURS ALIGNER LES MARQUES قم دائماً بترصيف العلامة</p>  <p>LOCK BLOQUEAR VERROUILLER أغلق</p> </div> </div>	
<p>TFMT - IC0001</p>	