

Date	Expiration	Release	Page
06.2013	06.2015	1	1

C69 CONNECTOR, INSPECTION Prevost vehicles

DESCRIPTION

On the vehicles affected by this bulletin, at next service occasion, open the C69 connector located in the front compartment and check for presence of corrosion. Relocate the connector horizontally.

MODEL YEAR(S) AND VEHICLES INVOLVED


NOTICE TO SERVICE CENTERS <i>Verify vehicle eligibility by checking warranty bulletin status with SAP or via ONLINE WARRANTY SYSTEM available on Service / Warranty tab of Prevost website.</i>	
Model	VIN
X3-45 Coaches Model Years 2007 - 2012	 <p style="text-align: center;">Certain vehicles among this list: from 2PCG3349371028938 up to 2PCG33495CC735294 incl.</p>

The above list of VIN was valid at the time of publishing this document. Please refer to SAP for most recent information about outstanding vehicles

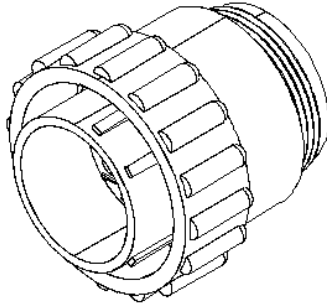
MATERIAL NEEDED

Part No.	Description	Qty
	Connector	As needed

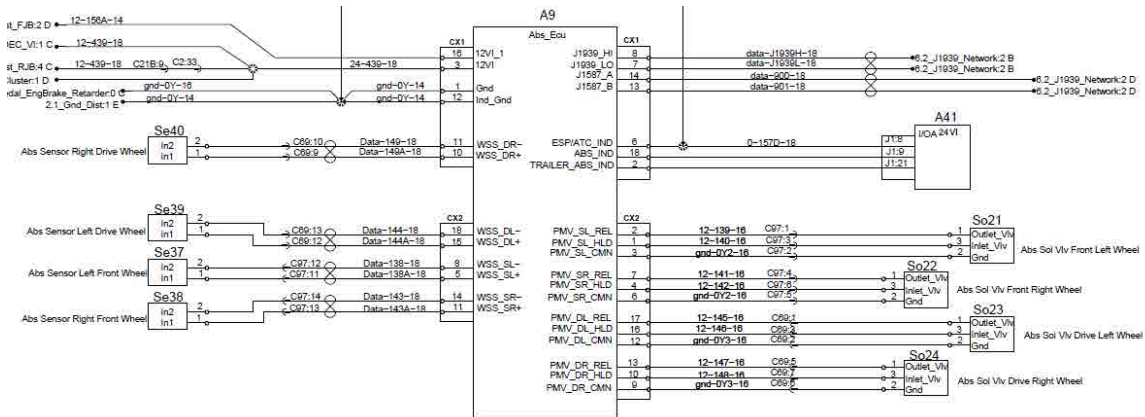
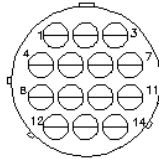
PROCEDURE

 DANGER
Park vehicle safely, apply parking brake, stop engine. In the battery box, set the battery cut-off switch to the OFF position prior to working on the vehicle.

561585
AMP#206044-1



SHELL#17



ESTIMATED TIME

The time required to perform this special bulletin is approximately 2 hrs.

OTHER

VBC Bulletin	N/A
Fail Code	06-15
Defect Code	9
System Condition	C
Causal Part	umisc

Prevost engages in a continuous program of testing and evaluating to provide the best possible product. Prevost, however, is not committed to, or liable for updating existing products.