

PREVOST

**WARRANTY
BULLETIN**


WB13-29

DATE :	MAY 2013	SECTION :	05 - Cooling
EXPIRATION:	MAY 2015		
SUBJECT :	LOOSENING BOLT ISSUE - COOLING FAN CLUTCH TRIPOD		

APPLICATION

NOTICE TO SERVICE CENTERS

Verify vehicle eligibility by checking warranty bulletin status with **SAP** or **Vehicle Warranty Information** tool found on Prevost-Systems tab of the Volvo Trucks Dealer Portal

Model	VIN	
H3-41, H3-45 coaches Model Year : 2011 - 2013	Vehicle 2PCH33497BC71 <u>1789</u> and From 2PCH3349XBC71 <u>1835</u> up to 2PCH33498DC71 <u>2193</u> incl.	
H3-41 VIP, H3-45 VIP Conversion coach shells Model Year : 2011 - 2013	From 2PCV33491BC71 <u>1838</u> up to 2PCVS3490DC71 <u>2176</u> incl.	
X3-45 coaches Model Year : 2011 - 2013	Vehicle 2PCG33491BC72 <u>9992</u> and From 2PCG33491BC73 <u>5050</u> up to 2PCG33495DC73 <u>5331</u> incl.	
XLII-45 Entertainer Model Year : 2011 - 2013	From 2PCYS3497BC73 <u>5089</u> up to 2PCY3349XDC73 <u>5314</u> incl.	
X3-45 VIP Conversion coach shells Model Year : 2012 - 2013	2PCBS3499CC73 <u>5070</u> 2PCBS3496CC73 <u>5236</u> 2PCBS3492CC73 <u>5248</u> 2PCBS3499CC73 <u>5263</u>	2PCBS3492CC73 <u>5265</u> 2PCBS3490CC73 <u>5281</u> 2PCBS3492DC73 <u>5297</u> 2PCBS3496DC73 <u>5299</u>

This bulletin does not necessarily apply to all the above-mentioned vehicles, some vehicles may have been modified before delivery. The owners of the vehicles affected by this bulletin will be advised by a letter indicating the Vehicle Identification Number (VIN) of each vehicle concerned.

DESCRIPTION

On the vehicles affected by this bulletin, a corrective measure is required due to bolts coming loose at the radiator fan clutch tripod attachment to the radiator. Bolts tend to get loose because they are tightened on a part made of rubber. Addition of four (4) locknuts (jam nuts) will prevent bolts to loosen and consequently, the radiator fan from striking the radiator core if the assembly fails.

MATERIAL

For H3 Series coaches, X3 Series coaches, X3 VIP conversion coach shells, XLII Entertainer, order the following parts:

Part No.	Description	Qty
502851	NUT, HEX N500 M8-1.25	4
5001738	SCREW, CAP HEX N500 M8x30 G8.8	1 to 4, as required if missing

For H3 VIP conversion coach shells, order the following parts:

Part No.	Description	Qty
502851	NUT, HEX N500 M8-1.25	4
504737	NYLON TIE	4
5001727	NUT, HEX STOVER M10-1.5	1
5001738	SCREW, CAP HEX N500 M8x30 G8.8	1 to 4, as required if missing
21095726	GASKET, EXHAUST PIPE, 5 INCH	2
21021850	CLAMP, V-BAND 5 INCH	2

NOTE

Material can be obtained through regular channels.

PROCEDURE

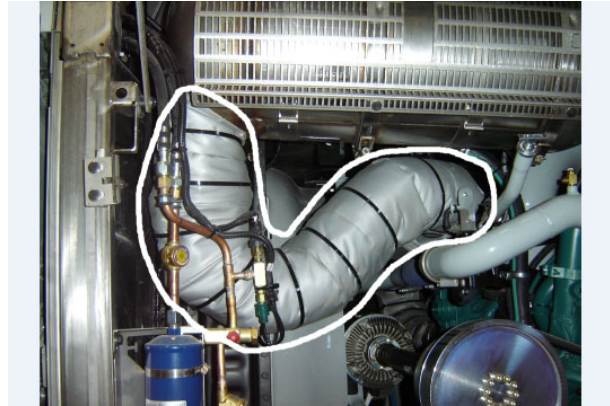


DANGER

Park vehicle safely, apply parking brake, stop engine and set battery master switch(es) to the OFF position prior to working on the vehicle.

1. **H3 SERIES COACHES.** Gain access to the tripod upper support. Access is possible through the engine access hatch located at the rear end of the passengers' alley.
2. **X3 SERIES COACHES, X3 VIP CONVERSION COACHES, XLII ENTERTAINERS.** Gain access to the tripod upper support, from the rear left engine compartment door.

3. **H3 VIP CONVERSION SHELLS.** The section of the exhaust pipe located between the DPF and the flexible section above the turbo must be removed to gain access to the tripod upper support.

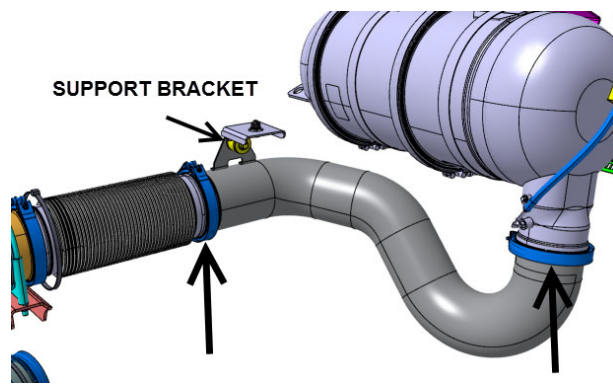


a. Clear the two (2) V-band clamps hidden under the insulating blanket at the junction with the DPF and at the junction with the exhaust flexible section.

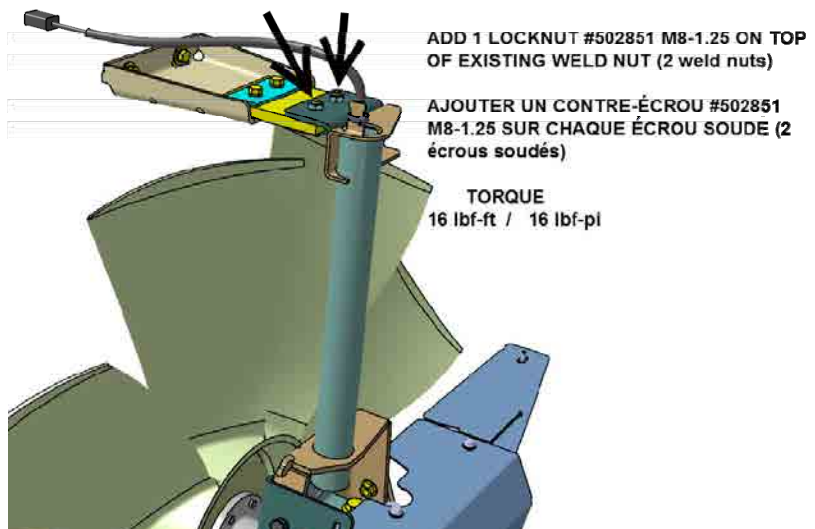
b. Undo the two (2) V-band clamps identified on the image.

c. Unscrew the nut at the support bracket.

d. Remove this section of exhaust pipe.

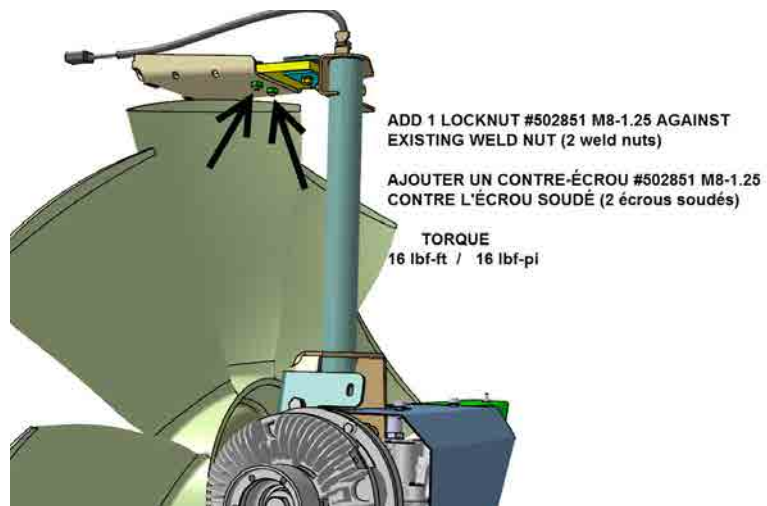


4. **ALL TYPES.** Add two locknuts #502851 as described on the image at right. **If needed, tighten the bolt a little bit more to show more threads.**





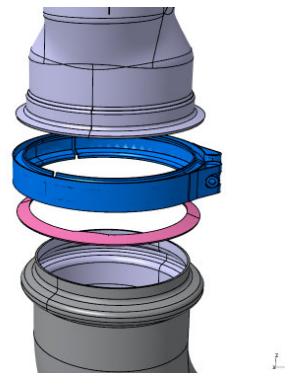
5. **ALL TYPES.** Add two locknuts #502851 as described on the image at right. **If needed, tighten the bolt a little bit more to show more threads.**

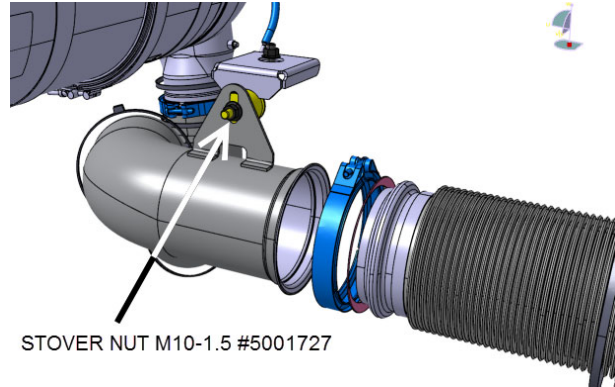


6. **H3 VIP CONVERSION SHELLS.** Reinstall the exhaust pipe.

Use:

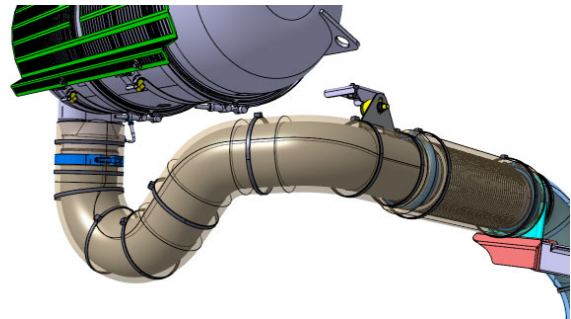
- 2 new exhaust gasket #21095726
- 2 new V-band clamps #21021850 (torque 100 lbf-inch)
- 1 new Stover nut M10-1.5 #5001727 (torque 32 lbf-ft)





7. **H3 VIP CONVERSION SHELLS.** Start the engine and check for exhaust leaks.

8. **H3 VIP CONVERSION SHELLS.** Cover the V-band clamps with insulating blanket. Use nylon ties to secure the insulating blanket.



PARTS / WASTE DISPOSAL

Discard waste according to applicable environmental regulations (Municipal/State[Prov.]/ Federal)

WARRANTY

This modification is covered by Prevost's normal warranty. We will reimburse you the parts and labor as follows:

X3-45 coaches, X3-45 VIP converted shells, XLII Entertainer: ½ hour (0.5) of labor upon receipt of a completed A.F.A. form on which you must specify as per "Warranty Bulletin WB13-29".

H3 Series coaches, H3 VIP converted shells: 1 ¼ hour (1.25) of labor upon receipt of a completed A.F.A. form on which you must specify as per "Warranty Bulletin WB13-29".

OTHER

VBC Bulletin	n-a
Fail Code	05.06
Defect Code	09
System Condition	B
Causal Part	052903

Access all our Service Bulletins on <http://prevostparts.volvo.com/technicalpublicatios/en/pub.asp>
Or scan the QR-Code with your smart phone.

E-mail us at technicalpublications_prev@volvo.com and type "ADD" in the subject to receive our warranty bulletins by e-mail.

