


Date	Expiration	Release	Page
05.2013	05.2015	1	1

90 DEG ELBOW WITH 5 LAYERS Prevost vehicles

DESCRIPTION

On the vehicles affected by this bulletin, an improved 90 degree elbow is available. Proceed to replacement at next service occasion.

MODEL YEAR(S) AND VEHICLES INVOLVED


NOTICE TO SERVICE CENTERS <i>Verify vehicle eligibility by checking warranty bulletin status with SAP or via ONLINE WARRANTY SYSTEM available on Service / Warranty tab of Prevost website.</i>	
Model	VIN
X3-45 Coaches Model Years 2010 - 2013	 Certain vehicles among this list: from 2PCG33493AC729796 up to 2PCG33499DC735431 incl.

The above list of VIN was valid at the time of publishing this document. Please refer to SAP for most recent information about outstanding vehicles

MATERIAL NEEDED

Part No.	Description	Qty
052898	Elbow 90 deg, 2.75" DIA.	1

PROCEDURE

 DANGER
Park vehicle safely, apply parking brake, stop engine. In the battery box, set the battery cut-off switch to the OFF position prior to working on the vehicle.

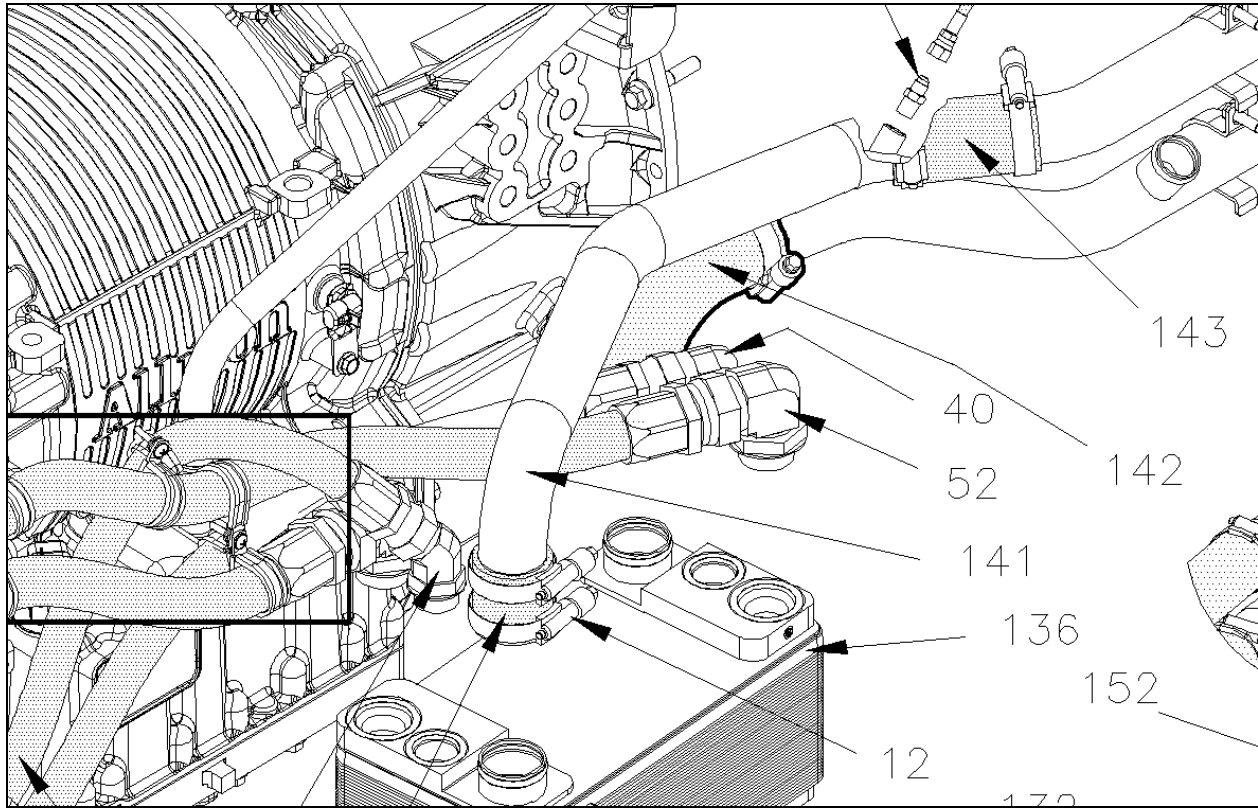


Figure 1: 052898 (142)

ESTIMATED TIME

The time required to perform this special bulletin is approximately 15 minutes if the SP13-309 is not done and 1 hour if SP13-309 is done.

OTHER

VBC Bulletin	N/A
Fail Code	05-05
Defect Code	9
System Condition	B
Causal Part	umisc

Prevost engages in a continuous program of testing and evaluating to provide the best possible product. Prevost, however, is not committed to, or liable for updating existing products.