

SP13-38

SP13-38
REAR FENDER SUPPORT ARM & WCL DOOR SPRING
REFER TO SAP FOR VEHICLES AND CODES

ISSUE NO 1

IT IS POSSIBLE THAT REPLACEMENT PART FOR THE REAR FENDER SUPPORT ARM (460695 OR 460707) MAY BE INCOMPATIBLE WITH ACTUAL SETUP ON VEHICLE.

OR RISK OF DENT ON FENDER IF REPLACEMENT PART IS INSTALLED BACKWARDS.

ISSUENO 2

HINGE SPRING (285790) ON WCL DOOR MAY CORRODE UNDER NORMAL CONDITIONS BECAUSE IT IS NOT PROTECTED.

D5388 EST VISÉ

ISSUE NO 1 REAR FENDER

UNPLUG ELECTRONICS

SUPPORT REAR LEFT FENDER IN THE OPEN POSITION.

REMOVE SUPPORT ARM (DISCARD)

CUT WELDED RETAINER PIN FLUSH TO STRUCTURE

DRILL 13 MM THRU BOTH WALLS OF TUBE

DRILL AT SAME HEIGHT AS THE FORMER PIN, JUST BESIDES, TOWARDS THE CENTER OF VEHICLE.

SP13-38

WELD PIN **218654 QTY 1** ON BOTH WALLS OF THE TUBE

INSTALL THE NEW FENDER SUPPORT ARM **460695 QTY 1**

HARDWARE CAN BE RE-USED

HARDWARE FOR 1 SIDE (1 FENDER)

BOLT 5001912 QTY1
WASHER 471119 QTY 1
NUT 5001852 QTY 1
NUT 5001787 QTY 1
COTTER PIN 502111 QTY 1
WASHER 471119 QTY 1

REPEAT STEPS ABOVE FOR THE R.H. FENDER

USE SUPPORT ARM **460707 QTY 1**
RETAINER PIN **218654 QTY 1**

PLUG ELECTRONICS BACK

ISSUE NO 2: WCL DOOR

OPEN WCL DOOR

REMOVE INTERIOR TRIM CAPPING ON FORE POST (ON WCL DOOR FRAME)

REMOVE TRIM ON WCL HINGE
OPEN WCL DOOR

WITH THE HELP OF THE LIFTING PLATFORM, LIGHTLY LIFT THE BOTTOM OF THE DOOR TO REMOVE THE WEIGHT OF THE DOOR ON THE HINGE. (**INSTALL A PROTECTION UNDER DOOR TO AVOID DAMAGING GUTTER**)

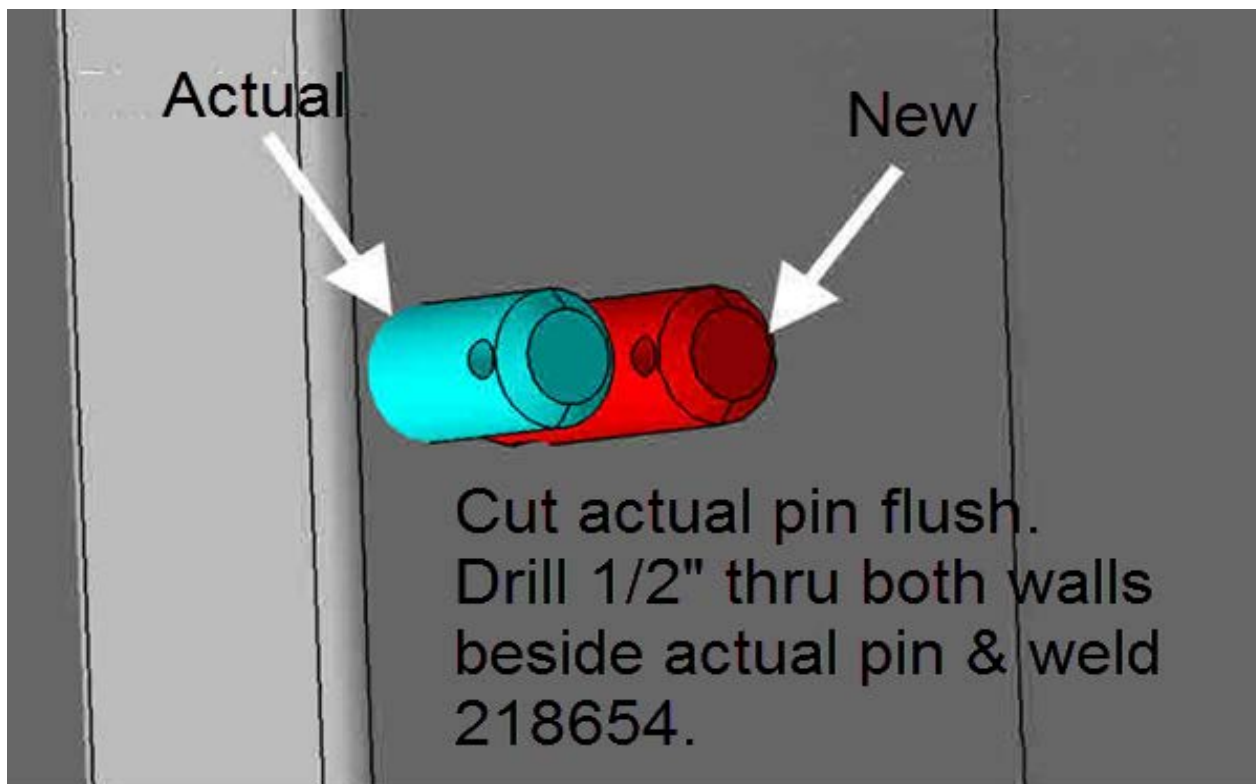
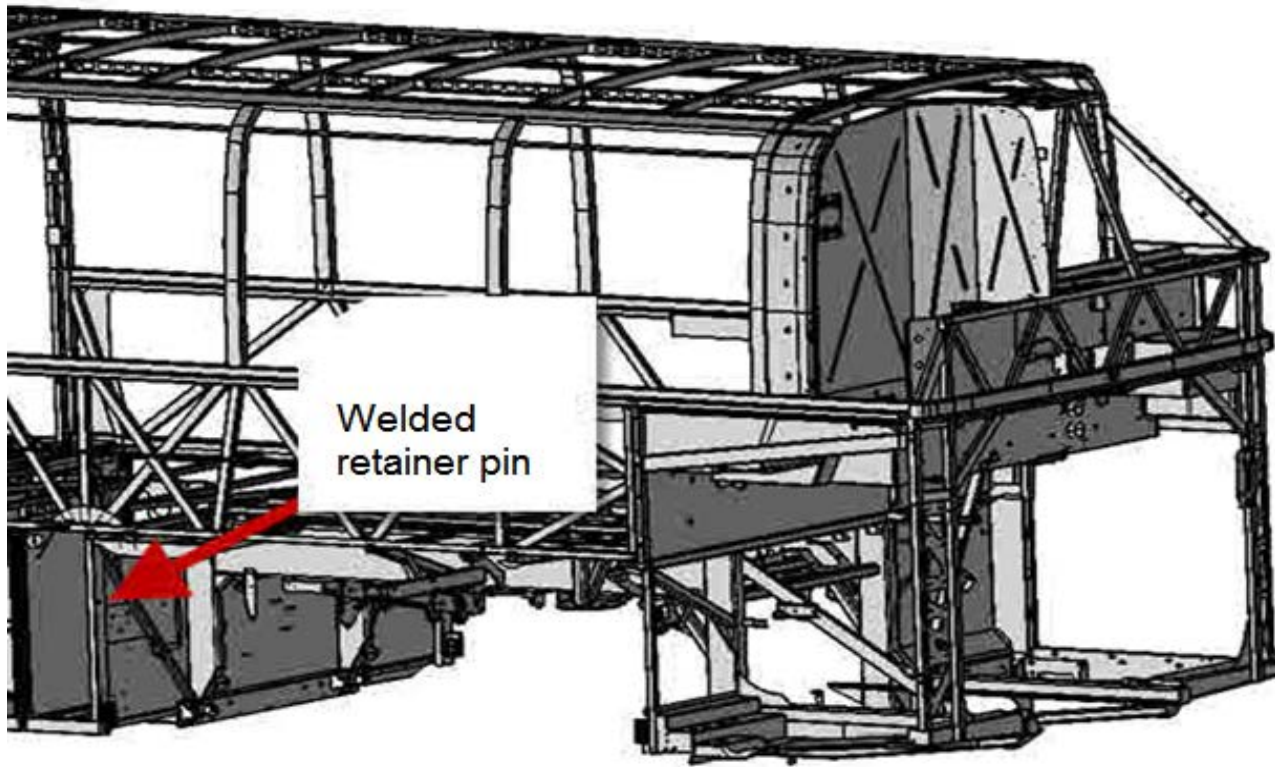
REMOVE CENTER BOLT ON HINGE

REPLACE SPRING BY **285970 QTY 1**

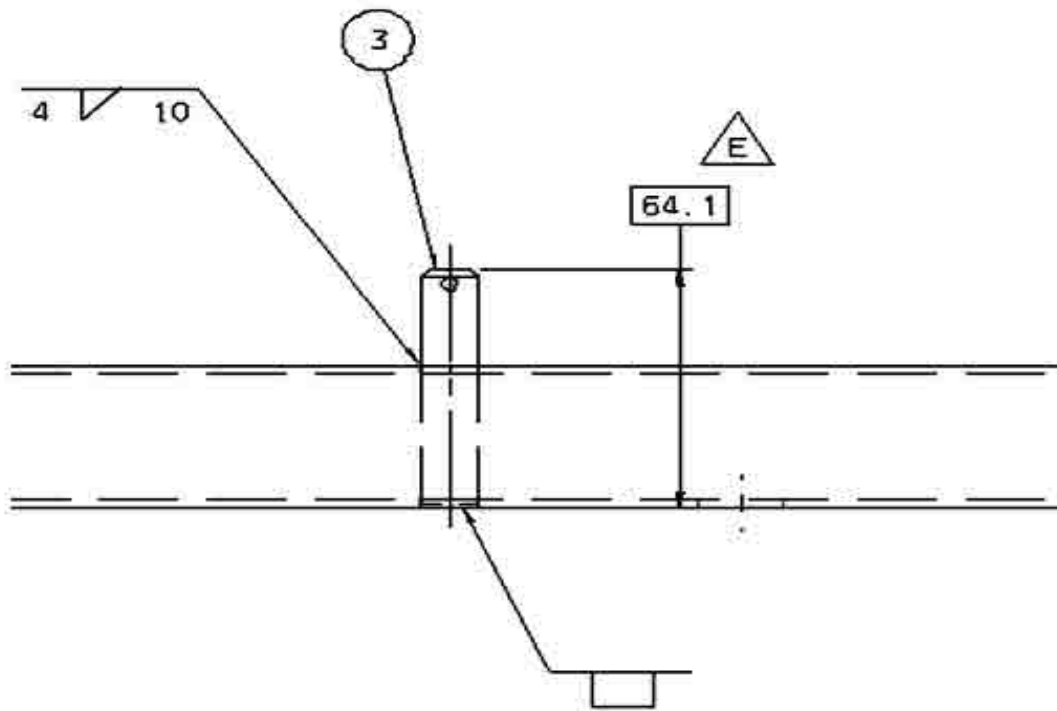
PUT TENSION ON THE SPRING WITH "WISE GRIP" TYPE LOCKING PLIERS AND A SCREWDRIVER
INSTALL LOCKING SLEEVE ON SPRING

RE-INSTALL TRIM.

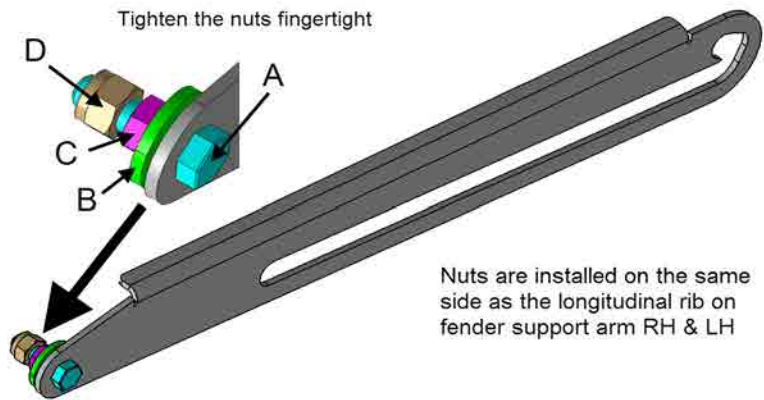
ISSUE 1 REAR FENDER



SP13-38



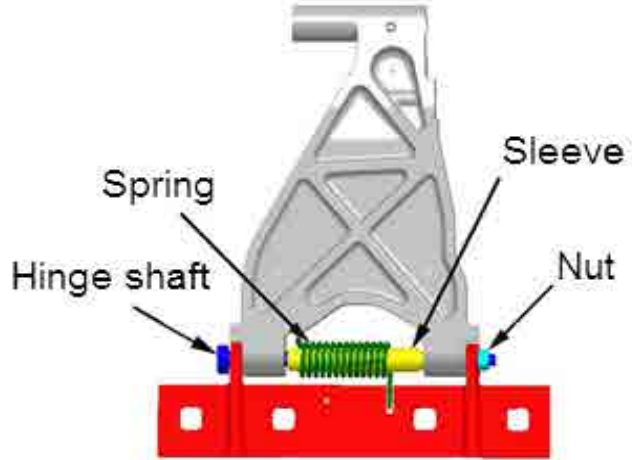
10	Fender support arm RH (shown)	460707 qty 1
11	Fender support arm LH	460695 qty 1
12	Bolt(A)	5001912 qty 2
13	Washer (B)	471119 qty 2
14	Nut (C)	5001852 qty 2
15	Nylock nut (D)	5001787 qty 2



ISSUE 2 WCL DOOR

23	Hinge	2800194 qty 1
24	Sleeve	287520 qty 1
25	Spring	285970 qty 1
26	hinge shaft	286151 qty 1

27	Nut	502859 qty 1
----	-----	--------------



28	Twist spring (Special tool shown here) Use Wise Grip type locking pliers	
----	---	--



29	Spring locking sleeve	285576 qty 1
----	-----------------------	--------------

