

Date	Expiration	Release	Page
02.2013	02.2015	1	1

REPLACEMENT OF SILICONE HOSES, ENGINE COMPARTMENT Prevost vehicles

DESCRIPTION

On the vehicles affected by this bulletin, improved silicone hoses are available. Proceed to replacement at next service occasion.

MODEL YEAR(S) AND VEHICLES INVOLVED


NOTICE TO SERVICE CENTERS <i>Verify vehicle eligibility by checking warranty bulletin status with SAP or via ONLINE WARRANTY SYSTEM available on Service / Warranty tab of Prevost website.</i>	
Model	VIN
X3-45 Coaches Model Years 2009 - 2012	 <p style="text-align: center;">Certain vehicles among this list: from 2PCG334939C729499 up to 2PCG3349XCC735274 incl.</p>

The above list of VIN was valid at the time of publishing this document. Please refer to SAP for most recent information about outstanding vehicles

MATERIAL NEEDED

Part No.	Description	Qty
503784	HOSE 2" X 12' SILICONE	1
503785	HOSE, SILICONE 2 3/8" X 6' SILICONE	1
503786	HOSE, SILICONE 2 1/2" X 6'	1
374616	ELBOW, SILICONE	1

PROCEDURE

 DANGER
Park vehicle safely, apply parking brake, stop engine. In the battery box, set the battery cut-off switch to the OFF position prior to working on the vehicle.

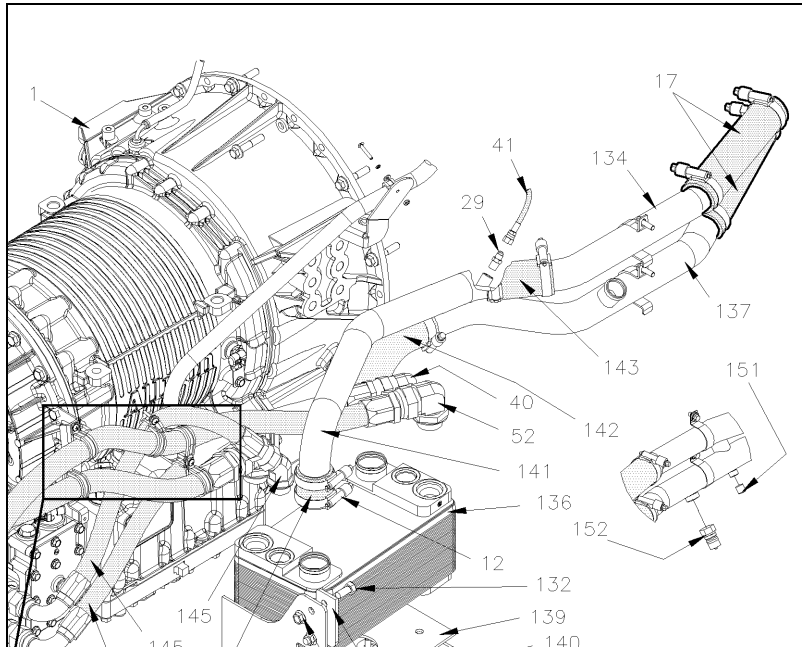


Figure 1:503784 (17)

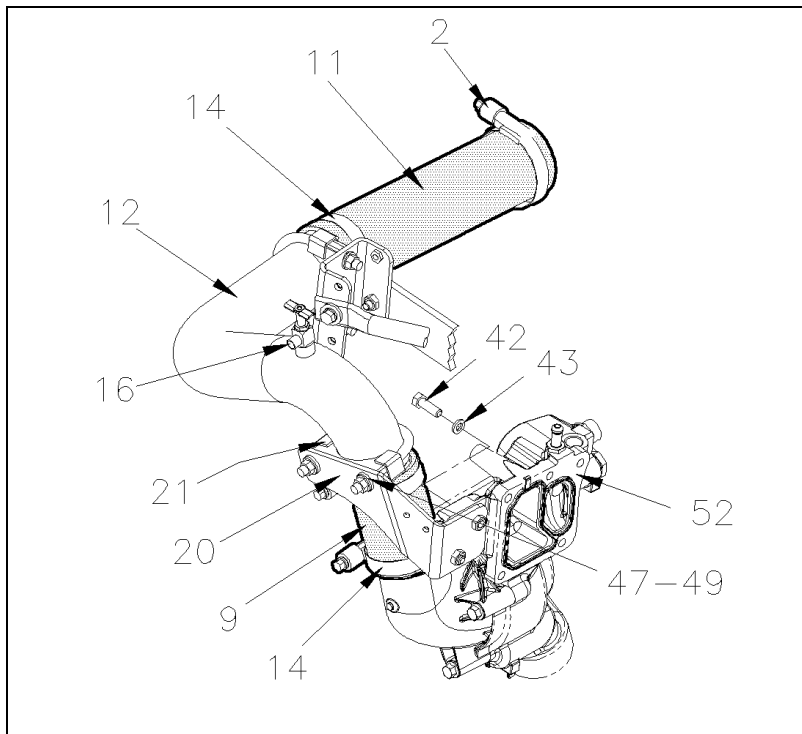


Figure 2: 503785 (9); 503786 (11)

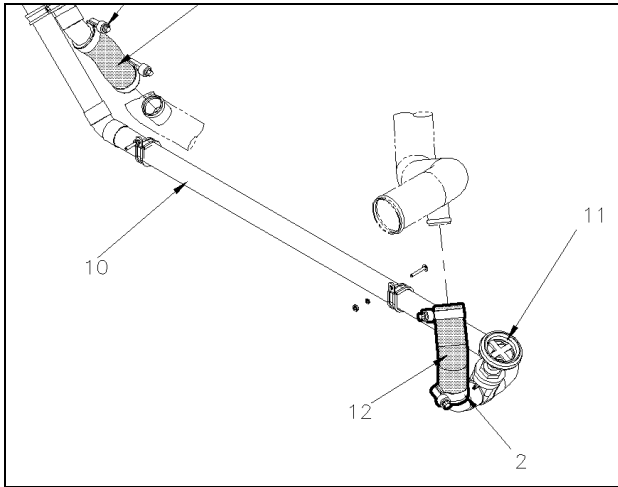


Figure 3: 374616(12) On heater line

ESTIMATED TIME

The time required to perform this special bulletin is approximately 7 hrs.

OTHER

VBC Bulletin	N/A
Fail Code	05-05
Defect Code	9
System Condition	B
Causal Part	052889

Prevost engages in a continuous program of testing and evaluating to provide the best possible product. Prevost, however, is not committed to, or liable for updating existing products.