



MIN – 1310808 May 2013

Subject: Updated Emission Control Information and CARB Clean Idle Label.**Models Involved:**PayStar[®], WorkStar[®], TranStar[®], LoneStar[®], and ProStar[®]**Defect Description:**

This procedure only applies to certain PayStar[®], WorkStar[®], TranStar[®], LoneStar[®], and ProStar[®] models with MaxxForce[®] 11, MaxxForce[®] 13, or MaxxForce[®] 15 engines and flagged with MIN 13108. This procedure is only required for the 92 vehicles specified in the [Table 3](#) in *Appendix* section and coded in the Service Portal with MIN 13108. While all vehicles listed require an updated EPA Emissions Label, some will also require an updated CARB Certified Clean Idle label. All other vehicles built during this period have either been repaired prior to shipment or have been determined not to require this repair procedure.

NOTE: New labels will be shipped overnight delivery (refer to Step 1 for instructions). Make sure to coordinate this repair activity to allow for shipment of the label(s) and minimize customer downtime.

Tools Required:

Description	Tool Number
Solvent or Alcohol	Obtain Locally
Razor Blade or Pick	Obtain Locally
Logo Applicator for CARB Label, or Equivalent	Obtain Locally

Table 1 Tools Information.

Work Instructions

WARNING! Park vehicle on hard flat surface, turn the engine off, set the parking brake, and block the wheels to prevent the vehicle from moving in both directions. Failure to do so may result in property damage, personal injury, and/or death.

WARNING! If the vehicle must be raised, do not work under the vehicle supported only by jacks. Jacks can slip or fall over, potentially resulting in property damage, personal injury, and/or death.

WARNING! Always wear safe eye protection when performing vehicle maintenance. Failure to do so may result in personal injury and/or death.

WARNING! Keep flames or sparks away from vehicle and do not smoke while servicing the vehicle's batteries. Batteries expel explosive gases. Failure to do so may result in property damage, personal injury, and/or death.

WARNING! Remove the ground cable from the negative terminal of the battery box before disconnecting any electrical components. Always connect the ground cable last. Failure to do so may result in property damage, personal injury, and/or death.

NOTE: Vehicles involved in this campaign were released from assembly plants with exempt Emission Control Information labels. These vehicles will require a new Emission Control Information label to be affixed to the engine.

NOTE: Certain vehicles will also require a CARB-Certified Clean Idle label, which will be shipped with the emissions label if needed.

1. To obtain new label(s), call a Customer and Warranty Relations Specialist in Navistar Powertrain Reliability and Quality at 331-332-1465 with vehicle VIN information.

NOTE: The Customer and Warranty Relations Specialist will record the appropriate information and overnight the new label(s). Make sure to coordinate this repair activity to allow for shipment of the label(s) and minimize customer downtime. Follow the instructions below for replacing the Emission Control Information label.



0000048959

Figure 1. Lifting Up Corner of Old Emissions Label.

2. Using razor or pick, lift up corner of old Emission Control Information label (Figure 1). Remove and discard label.



0000048782

Figure 2. Emission Control Information Label Placement Area.

3. Using alcohol swab, clean area illustrated in Figure 2.



0000048784

Figure 3. MaxxForce Valve Cover with Emission Control Information Label.

4. Position new Emission Control Information label on top of smooth semi-rectangular area towards front of valve cover (Figure 3).

NOTE: The label should be able to be read from the cold (operator's) side of the engine. The top edge of the Emission Control Information label should line up with the top of the smooth area on the valve cover.

5. If a CARB Clean Idle Label is required (according to [Table 3](#) in *Appendix* section), proceed with following procedure. If no CARB Clean Idle Label is required, repair is complete.

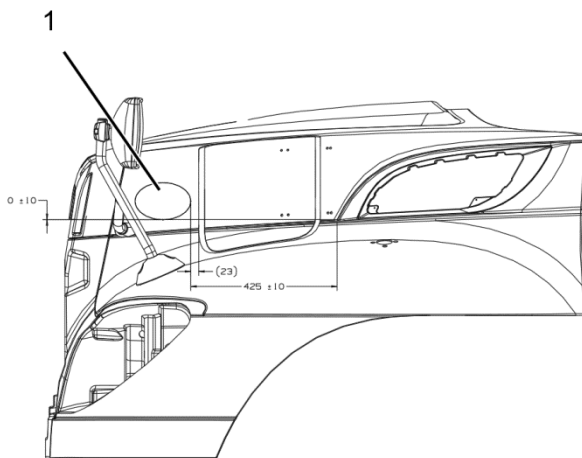
CARB CLEAN IDLE SERVICE PROCEDURE



0000048785

Figure 4. CARB Clean Idle Label.

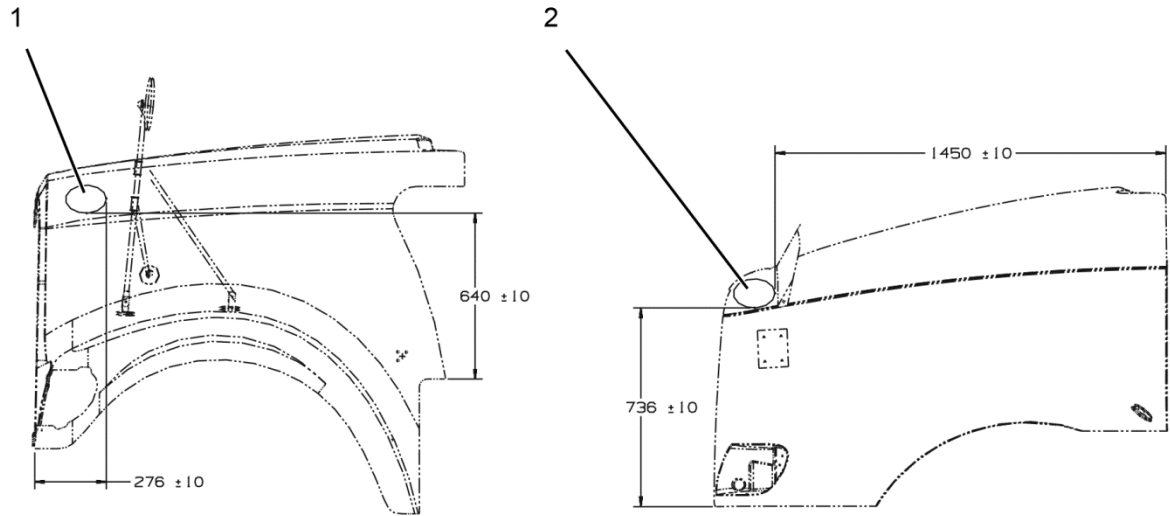
NOTE: Certain vehicles involved in this campaign were released with an exempt or missing CARB-Certified Clean Idle label. These vehicles will require a new CARB label to be affixed to the vehicle. Follow instructions in this section to replace CARB label (Figure 4).



0000048788

Figure 5. WorkStar® CARB Label Placement.

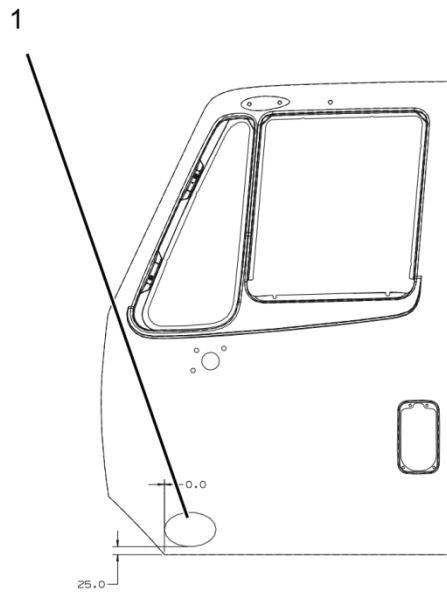
1. CARB label on WorkStar®



0000048789

Figure 6. PayStar[®] CARB Label Placement.

1. CARB label on PayStar[®] - 5900 SFA
2. CARB label on PayStar[®] - 5900 SBA



0000048790

Figure 7. ProStar[®] and TranStar[®] CARB Label Placement.

1. CARB label on ProStar[®] and TranStar[®]

1. Find existing label on door or hood of operator's side of cab. The label location varies depending on the vehicle model (Figures 5 through 7).



000048955

Figure 8. Lifting Up Clear Edge of Old CARB Label.

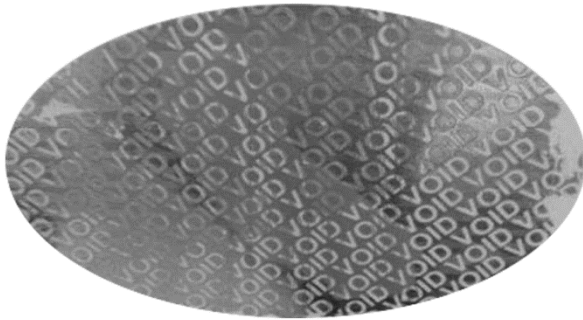
CAUTION: Be careful not to damage paint when lifting up edge of CARB label.

2. Using razor, lift up clear (top) edge of old CARB Clean Idle label (Figure 8).



000048956

Figure 9. Peeling Off Clean Layer of CARB Label.



000048791

Figure 10. Door-Mounted CARB Label.

3. Peel off clear layer of label with hand (Figure 9). This will expose the base layer of the label (Figure 10).

WARNING! Always wear chemical-resistant nitrile gloves when working with acetone. Failure to do so may result in personal injury and/or death.



000048957

Figure 11. Wiping Down Base Layer Area of CARB Label.

4. Wearing gloves, add acetone solvent and wipe down base layer area (Figure 11). The label will begin to crumple up and release.



0000048958

Figure 12. Scraping Off Dissolved Glue With Logo Applicator.

CAUTION: Do not use a razor blade to remove the base layer of CARB Clean Idle label on a vehicle, or damage to paint may occur.

5. Scrape off dissolved glue with logo applicator (Figure 12). Once the dissolved glue is removed, the area should be cleaned with an alcohol swab.
6. Replace CARB Clean Idle label. For CARB label placement information for each vehicle, refer to [Table 3](#) in *Appendix* section.
7. Use logo applicator (Figure 12) to remove any air bubbles.

LABOR INFORMATION

Operation number must appear on all claims.

Please submit for one operation only.

Table 2 Labor Information.

Operation Number	Description	Time
A40-13108-1	Remove Old Emissions Label and Affix New Emissions Label	0.3 hrs
A40-13108-2	Remove Both Old Emissions Label and Old CARB Clean Idle and Affix New Emissions Label and New CARB Clean Idle Label	0.4 hrs

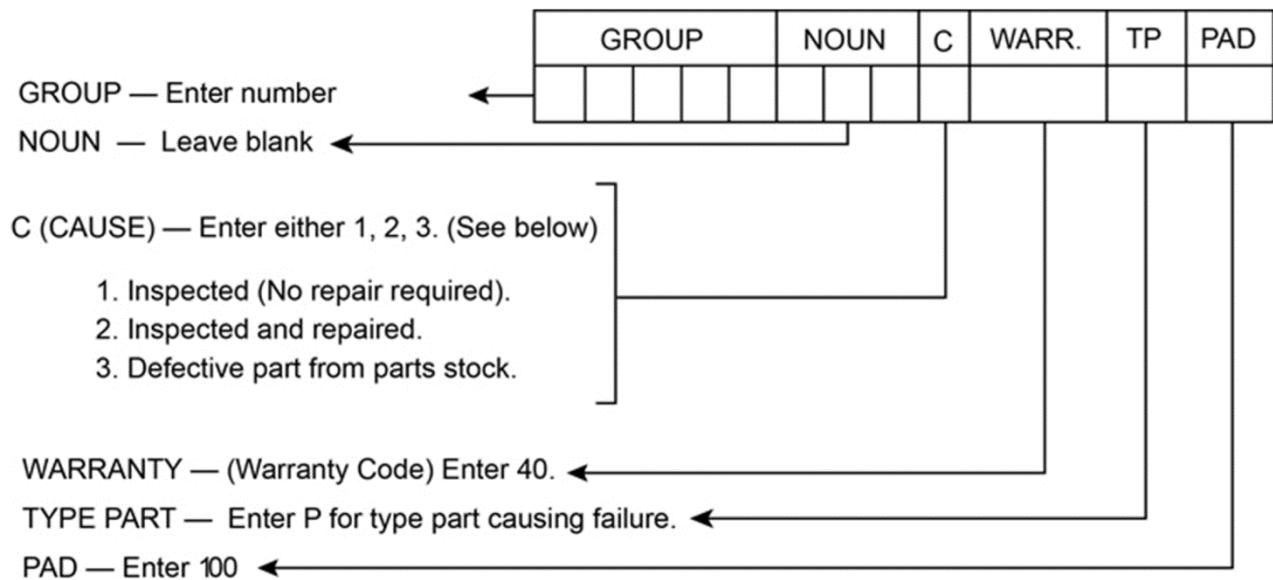
WARRANTY CLAIMS

Warranty claim expense is to be charged to Warranty. Claims are to be submitted in the normal manner, making reference to Mis-build Investigation Notice 13108.

It is important that the coding be completed properly to assist in processing the warranty claim. Complete instructions will be found in the Warranty Policy Manual, Section 7.1.8.

As with all claim submissions, items acquired locally must be submitted in the “Other Charges” tab. The cost of any bulk items (such as a bag of cable tie straps, roll of wire, barrel of oil, or tube of silicone) should be prorated for the cost of the individual pieces / amount used during each repair.

To assure this important improvement is made in a timely manner, all claims for 13108 activity must be submitted by 31 May 2014 or within the normal warranty period for the vehicle, if after 31 May 2014.



000047910

Appendix

Table 3 VIN List and CARB Clean Idle Label Location.

NOTE: All VINs Require a New Emission Control Information Label.

VIN8	CARB Clean Idle Label Location	VIN8	CARB Clean Idle Label Location
DN151181	Door	DJ203003	Not Applicable
DN159854	Door	DJ203002	Not Applicable
DN150765	Door	DJ202995	Not Applicable
CN602985	Door	DJ155838	Hood
CN602968	Door	DJ202994	Not Applicable
CN602839	Door	DJ203004	Not Applicable
DN150755	Door	DJ198497	Not Applicable
DN683745	Hood	DJ165509	Not Applicable
DN147992	Not Applicable	DJ148384	Hood
CN602984	Door	DJ690607	Not Applicable
DN603858	Door	DJ155253	Not Applicable
DN150762	Door	DJ050994	Not Applicable
DN122573	Not Applicable	DJ626774	Door
DN150766	Door	DH199796	Hood
DN160531	Door	DJ626801	Door
DN160530	Door	DJ626773	Door
DN150624	Door	CJ626769	Door
DN145446	Door	DJ626772	Door
DN150623	Door	CJ626768	Door
DN150628	Door	DJ162146	Hood
DN150627	Door	DJ626804	Door
DN150626	Door	CJ626702	Door
DN150625	Door	DJ202845	Door
DJ097042	Hood	DJ202844	Door
DJ146039	Not Applicable	DJ197546	Hood
DJ146038	Not Applicable	DJ616147	Not Applicable
DJ154151	Door	DJ150154	Door
DJ161964	Hood	DH179216	Door
DJ200088	Not Applicable	DJ150166	Door
DJ153922	Not Applicable	CJ616600	Door
DJ196887	Not Applicable	CJ592791	Door
DJ169057	Door	DJ150232	Door
DJ203262	Not Applicable	DJ130143	Not Applicable
DJ164186	Not Applicable	DJ158944	Not Applicable

Table 3 VIN List and CARB Clean Idle Label Location – Continued.

VIN8	CARB Clean Idle Label Location	VIN8	CARB Clean Idle Label Location
DJ153866	Not Applicable	CJ593047	Door
DJ201252	Not Applicable	DH154457	Door
DJ200339	Not Applicable	DH154456	Door
DJ198561	Hood	DH154455	Door
DJ200341	Not Applicable	DJ147688	Door
DJ198560	Hood	DH154454	Door
DJ153528	Not Applicable	DH154453	Door
DJ200340	Not Applicable	DJ150032	Door
DJ200337	Not Applicable	DH154458	Door
DJ198559	Hood	CH113780	Door
DJ200015	Not Applicable	DJ151204	Door
DJ200020	Not Applicable	DJ151203	Door