



<b>Countries:</b>	CANADA, UNITED STATES	<b>Document ID:</b>	IK0800043
<b>Availability:</b>	ISIS	<b>Revision:</b>	3
<b>Major System:</b>	ELECTRICAL SYSTEM	<b>Created:</b>	2/15/2007
<b>Current Language:</b>	English	<b>Last Modified:</b>	10/16/2013
<b>Other Languages:</b>	<a href="#">Français</a> , <a href="#">Español</a> ,	<b>Author:</b>	Al Schnellenberger
<b>Viewed:</b>	408		

[Less Info](#)

Hide Details

Coding Information

<b>Copy Link</b> 	<b>Copy Relative Link</b> 	<b>Bookmark</b>  <a href="#">View My Bookmarks</a>	<b>Add to Favorites</b> 	<b>Print</b> 	<b>Provide Feedback</b> 	<b>Helpful</b>  63	<b>Not Helpful</b>  105
----------------------	-------------------------------	--	-----------------------------	------------------	-----------------------------	--------------------------	-------------------------------

**Title: How to Add Lift Gate Battery Protection**

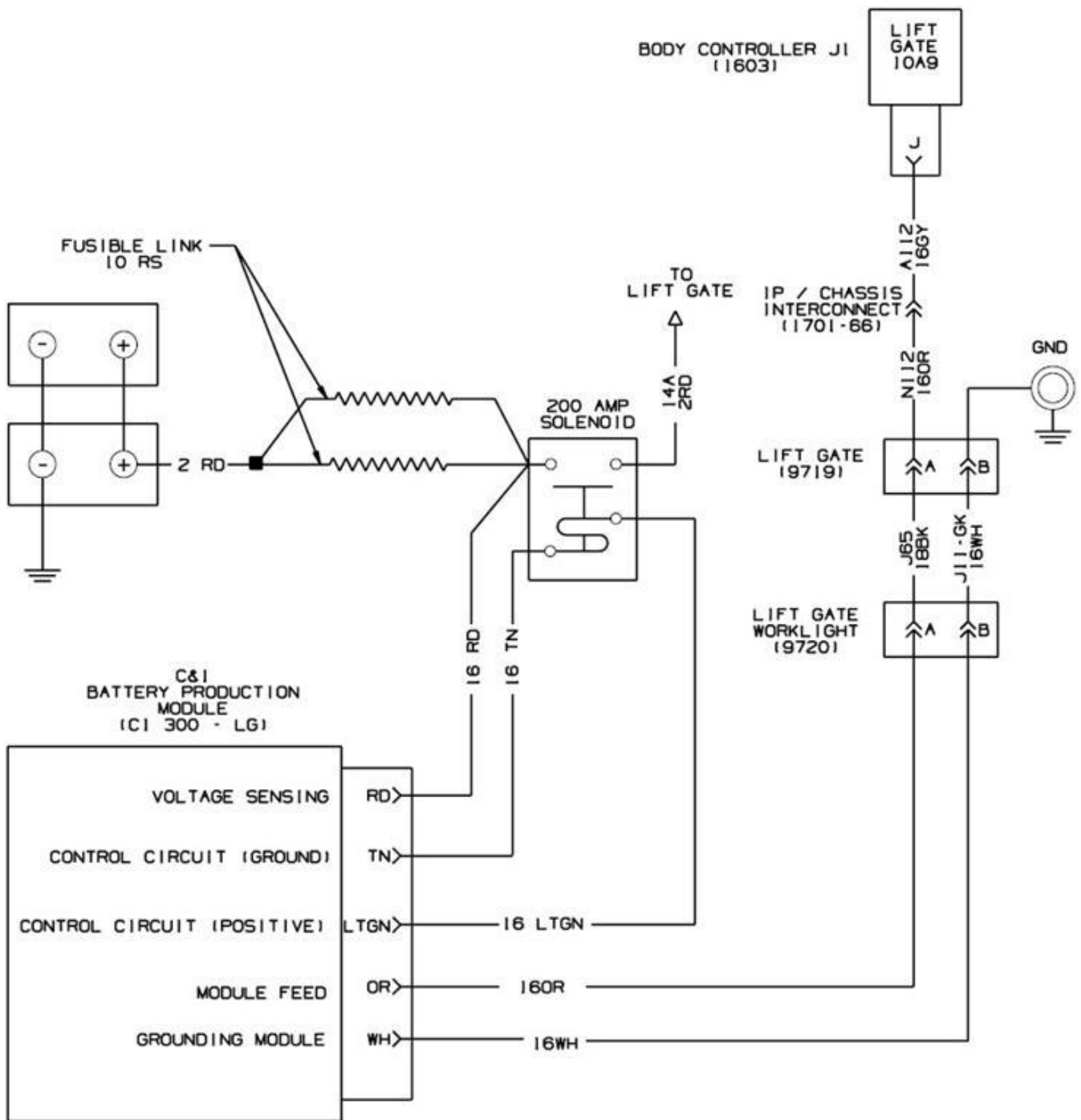
**Applies To: All models with ESC / BC**

**DESCRIPTION**

Instructions for adding Lift Gate Battery Protection after the truck has been built.

To prevent the truck batteries from running down, during lift gate operations, our factory installed feature uses a battery protection module.

Customers can order the battery protection module (3593085C92) and install it in a similar setup as the wiring diagram below.



0595293, 0595AGN, and 0595AYM are the available feature codes to use in the ESC or Body Controller.

[Hide Details](#)

Feedback Information

Viewed: 407

Helpful: 63

Not Helpful: 105

No Feedback Found