

# Technical Service Bulletin



## 94 Xenon headlights are adjusted too low

94 13 09 2032852/2 February 26, 2013. Supersedes Technical Service Bulletin Group 94 number 13-08 dated February 26, 2013 for reasons listed below.

Model(s)	Year	VIN Range	Vehicle-Specific Equipment
A4	2013	000001-999999	Xenon headlights

## Condition

REVISION HISTORY		
Revision	Date	Purpose
2	-	Revised <i>Condition</i> (clarified information) Revised <i>Technical Background</i> (clarified information) Revised header data (removed model years)
1	2/26/2013	Original Release

Only vehicles with xenon headlights (PR No 8Q3 or 8Q5) are affected.

Customer complaints:

- The headlights appear to be adjusted too low.
- The overall illumination pattern on the road is too short, particularly when driving on non-highway roads.

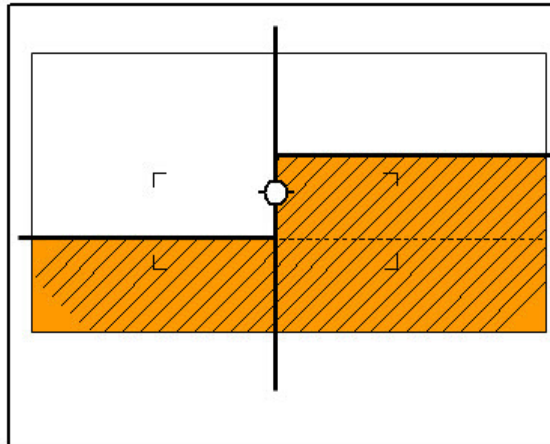
Workshop findings:

The illumination pattern on road is the same when compared to similarly xenon headlight-equipped vehicles.

## Technical Background

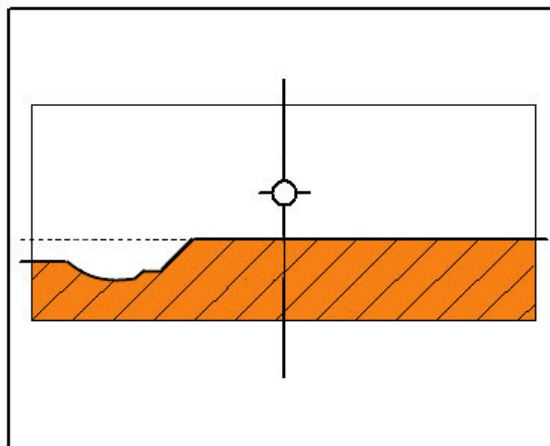
This is a normal condition. With the introduction of the MY2013 A4, customers may begin to perceive a change to the beam pattern as being adjusted too low.

**Distinct cut-off beam pattern:** The light distribution of the MY09-MY12 headlight has a very sharp cut-off beam pattern (Figure 1). This is most noticeable when driving through long dips in the road (i.e., when coming to the bottom of a large hill).



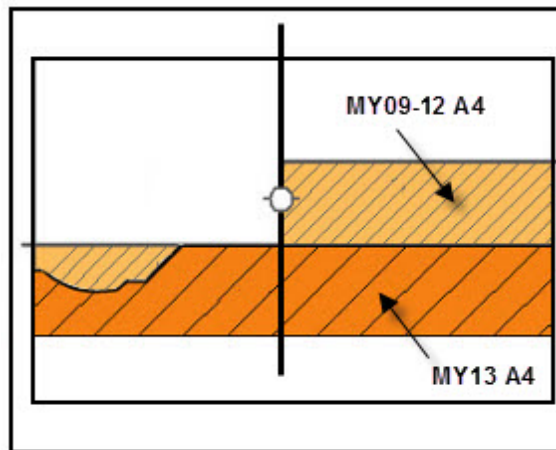
**Figure 1.** MY2009-MY2012 A4 xenon headlight beam pattern

**Modified light distribution for MY2013 A4:** The illumination of the headlight has been changed for the MY13+ A4 to help further reduce the amount of light seen by oncoming traffic (Figure 2).



**Figure 2.** New MY2013 A4 xenon headlight beam pattern

Explain to the customer the changes in the beam for current MY2013 A4 vehicles (Figure 3). Explain the risks of adjusting the beam too high, which may cause an unsafe condition for oncoming traffic.



**Figure 3.** Comparison of new and previous generation headlight beam pattern

## Production Solution

Not applicable.

## Service

No service required.

## Warranty

This TSB is informational only and not applicable to any Audi warranty.

## Additional Information

All parts and service references provided in this TSB are subject to change and/or removal. Always check with your Parts Department and service manuals for the latest information.