

94 Xenon headlights are adjusted too low

94 13 08 2032852/1 February 26, 2013.

Model(s)	Year	VIN Range	Vehicle-Specific Equipment
A4	2013-2015	000001-999999	Xenon headlights

Condition

Only vehicles with xenon headlights (PR No 8Q3 or 8Q5) are affected.

Customer complaints:

- The headlights are adjusted too low.
- The overall illumination pattern on the road is too short, particularly when *not* driving on the highway.

Workshop findings:

The headlight adjustment is correct according to the ElsaWeb repair manual, or the overall illumination pattern on the road is the same when compared to another like vehicle.

Technical Background

This is a normal condition. With the introduction of the MY13 A4, customers may begin to perceive the changes to the beam pattern as being adjusted too low.

Distinct cut-off beam pattern: The light distribution of the MY09-MY12 headlight has a very sharp cut-off beam pattern (Figure 1). This was intentionally designed this way to reduce the amount of light seen by oncoming vehicles. As a result, the area above the cut-off beam pattern is perceived as being very dark. This is usually due to the fact that the human eye is focused on the illuminated area directly in front of the driver's vehicle. This is most noticeable when driving through long dips in the road (i.e., when coming to the bottom of a large hill).

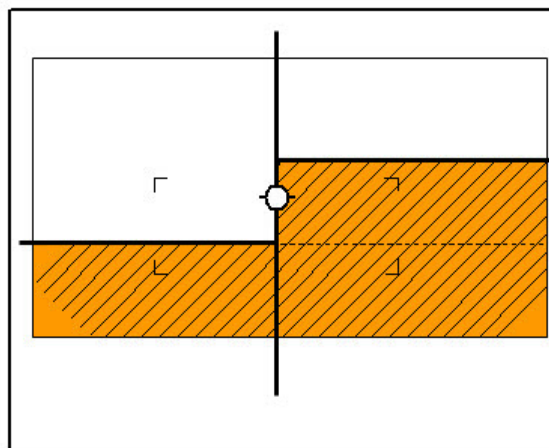


Figure 1. MY09-MY12 xenon headlight beam pattern



Audi

Technical Service Bulletin

Modified light distribution for MY13+ A4:

The illumination of the headlight has been changed for the MY13+ A4 to help further reduce the amount of light seen by oncoming traffic (Figure 2). These changes only apply to MY13 vehicles and beyond.

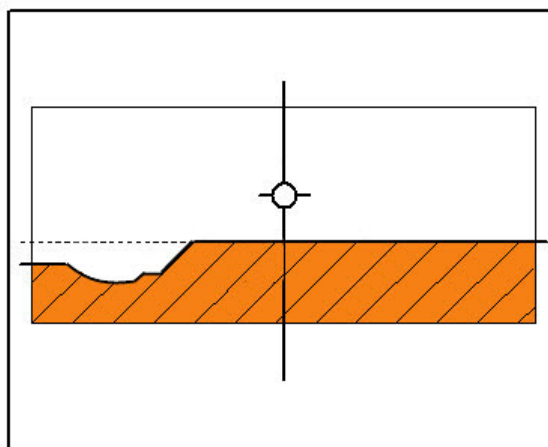


Figure 2. New MY13 xenon headlight beam pattern

Explain to the customer the changes in the beam pattern from the pre-MY13 beam pattern to the current MY13 beam pattern (Figure 3). Also explain the risks of adjusting the beam too high, which can cause an unsafe condition for oncoming traffic.

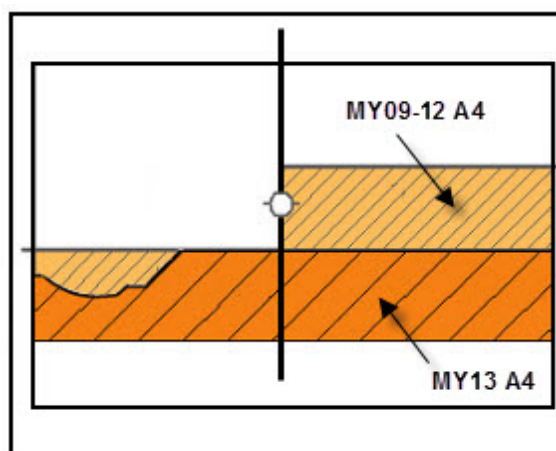


Figure 3. Comparison of new and previous generation headlight beam pattern

Production Solution

Not applicable.

Service

This is a normal condition.

Warranty

This TSB is informational only and not applicable to any Audi warranty.

Additional Information

All parts and service references provided in this TSB are subject to change and/or removal. Always check with your Parts Department and service manuals for the latest information.