

# Technical Service Bulletin



## 28G6 UPDATE – Ignition Coils (NVLW)

Model(s)	Year	VIN Range	Vehicle-Specific Equipment
A4	2010-2013	See Campaign/Action screen in ElsaWeb	2.0L Engine
A5/A5 Cab	2010-2013		2.0L Engine
A6	2013		2.0L Engine
Q5	2011-2013		2.0L Engine

## Condition

This Update has been proactively released to prevent the following condition from occurring in the vehicle:

Rough idle or reduced driving power and, in turn, an illuminated Malfunction Indicator Lamp (MIL) on the instrument cluster due to the presence of specific fault codes caused by this component.

This Update is in effect until removed.

Vehicle must meet all of the following criteria:

- Procedure is valid only for vehicles that show the **28G6** code in the ElsaWeb Campaign/Action Information screen on the day of repair.
- Vehicle must be within the New Vehicle Limited Warranty.
- Procedure must be performed within the allotted time frame stated in this Technical Service Bulletin.
- Procedure must be performed on applicable vehicles in dealer inventory prior to sale.

## Technical Background

A faulty ignition coil can result in rough idling or reduced driving power and, in turn, cause the Malfunction Indicator Lamp (MIL) on the instrument cluster to illuminate due to the presence of specific fault codes caused by this component.

## Service

Applicable Criteria ID (s)	Campaign/Action Status
01	Open

**EXAMPLE**

Two green arrows point to the cells: arrow 1 points to '01' and arrow 2 points to 'Open'.

### Section A – Check for Previous Repair

- Enter the VIN in ElsaWeb and proceed to the “Campaign/Action” screen



Tip: On the date of repair, print this screen and keep a copy with the repair order

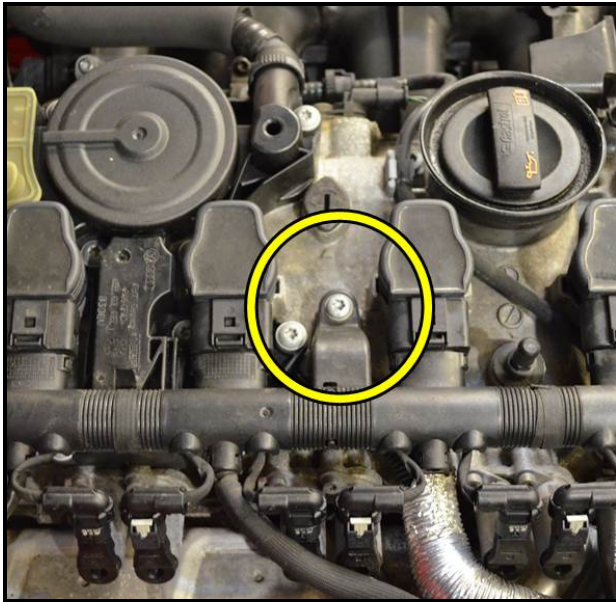
- ⇐ Ensure that the Status is “Open” <arrow 2>
- ⇐ Note the Applicable Criteria ID <arrow 1> for use in determining the correct work to be done and corresponding parts associated

### Continue to Section B.

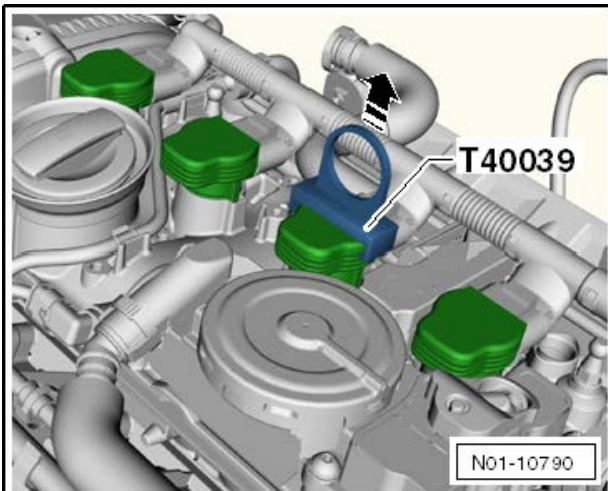


### Section B – Inspection

- Open the hood.
- ⇐ Remove the engine cover <left>.



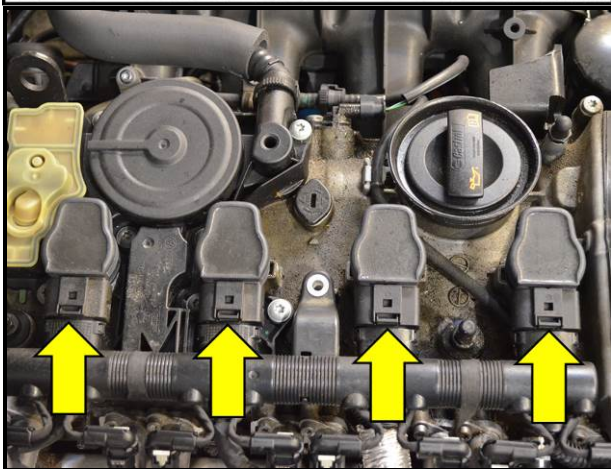
- ⇐ Remove the T30 torx head mounting screw from the ignition coil wiring harness <circle>.



- ⇐ Using coil removal tool T40039, pull each ignition coil approximately 30mm upward.



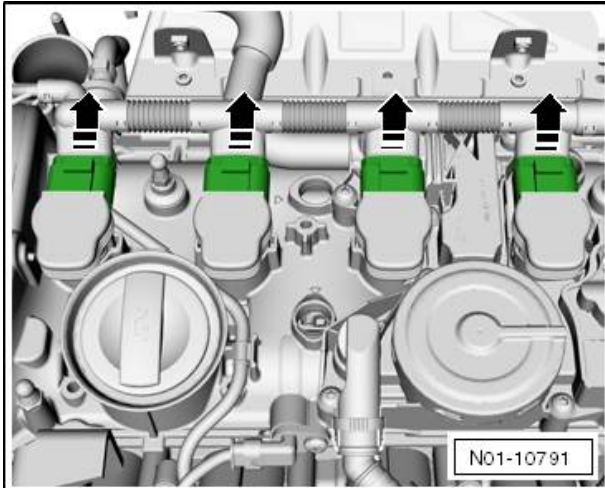
**TIP:** This provides additional clearance to allow the ignition coil connectors to be removed without damaging the wiring harness or connectors.



- ⇐ Carefully disengage the locking tab on each ignition coil connector <arrows>.



**WARNING: DO NOT** use a screwdriver, prybar, etc. to disconnect the electrical connectors. This can result in damage to the plastic connector housing. Damage to these connectors will not be covered under this action.



⇐ Remove all 4 ignition coil connectors simultaneously <arrows>.



- Inspect the part number and build date of all 4 ignition coils.

**Replace all 4 ignition coils if:**

⇐ If any one of the ignition coils is NOT part number 06H 905 115B or any of the build dates are 29/11 or earlier <circle B>

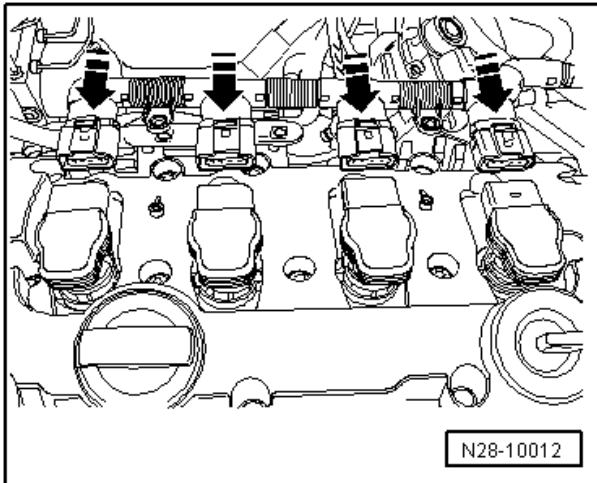
**-OR-**

⇐ If any one of the ignition coils is NOT part number 07K 905 715F <circle A>

- If all 4 ignition coils are P/N 06H 905 115B **AND** the build date is 30/11 or later or if all 4 ignition coils are P/N 07K 905 715F it is not necessary to replace the ignition coils.  
**Reassemble the vehicle.**

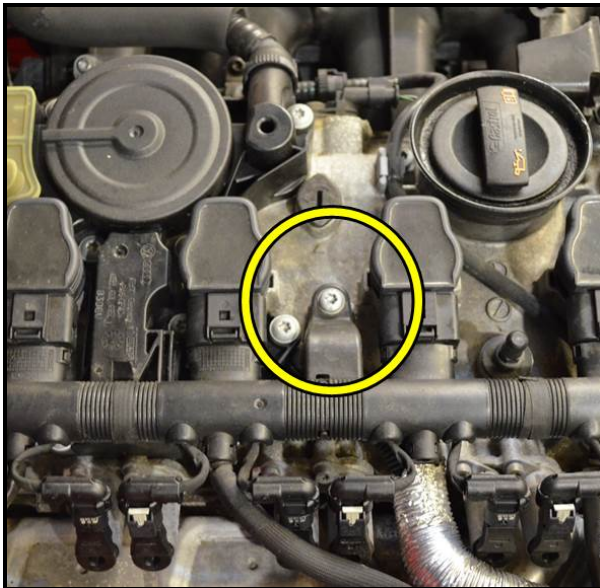
**If ignition coil replacement is necessary, Continue to Section C.**





## Section C - Coil Replacement

- Remove and replace all 4 ignition coils.
- ⇐ Reinstall all 4 ignition coil connectors simultaneously <arrows>.
- Press down on each individual ignition coil. Verify all 4 coils are fully seated into the spark plug holes.
- ⇐ Reinstall the T30 torx head mounting screw <circle>.



- ⇐ Reinstall the engine cover.
- Close the hood.

**Repair Work Complete**

# Technical Service Bulletin



## Warranty

<b>Update Time Requirements/ Reimbursement</b>	To ensure prompt and proper payment, be sure to immediately enter the applicable reimbursement code listed below upon completion of the repair work. Claims will be paid only for vehicles that show the <b>28G6</b> code in the ElsaWeb Campaign/Action Information screen on the day of repair.		
<b>28G6 Saga Claim Entry Procedure</b>			
Check ElsaWeb to determine whether Update <b>28G6</b> is open.			
<b>Service No.: 28G6</b>			
<b>Damage Code:</b> 0099			
<b>Parts Manufacturer -</b> Removed part: 002			
<b>Claim Type</b>			
Sold vehicle = 7 10			
Unsold vehicle = 7 90			
<b>Saga Accounting Instructions</b>			
<b>Criteria ID</b>	<b>Repair operation</b>	<b>Labor Operation Number</b>	<b>TU</b>
20	Inspect Ignition Coils; All coils have updated part number and correct build date, no further work required	0183 0099	40
20	Inspect and replace all 4 four Ignition Coils	2820 2399	40
<b>Criteria ID</b>	<b>Part Number</b>	<b>Part Description</b>	<b>Quantity</b>
20	06H905115B	Ignition Coil	4.00

# Technical Service Bulletin



There is no reimbursement for vehicle wash or loaner vehicle.

**If the vehicle is outside of the specified warranty period, the customer has the option to pay for the repair.**

*If the customer agrees to pay for the repair:*

Fax the information to (248) 754-5093 and provide VIN, applicable Service Number, Customer Info, Dealer Number and Date.

**Additional Actions** Some of the affected vehicles may be involved in additional Actions. Please check your ElsaWeb Campaign/Action Information screen so that any *additional required work can be done simultaneously*.

**Update Verification** For verification, *always* check the ElsaWeb Campaign/Action Information screen. The ElsaWeb system is the *only* binding inquiry and verification system; other systems are not valid and *may result in non-payment* of a claim.

**Help for Claim Input** For questions regarding claim input, contact the Warranty Helpline.

**Required Customer Notification** Inform your customer in writing by recording on the Repair Order any and all work that was conducted on the vehicle, including any and all updates completed under this Update.

## Required Parts and Tools

Part Number	Part Description	Quantity
06H 905 115B	Ignition Coil	4

Tool Number	Tool Description
T40039	Ignition coil removal tool

- Properly destroy and dispose of removed parts in accordance with all state and local requirements, unless otherwise indicated and/or requested through SAGA.
- If you have exhausted your allocated parts and you require additional parts for vehicles affected by this Update but have exceeded your Upper Order Limit, please submit your requests for additional parts via email to [upperorderlimits@audi.com](mailto:upperorderlimits@audi.com). Be sure to include the affected VINs with your order. Prior to submitting your request, ensure that each vehicle has the **28G6** code open in ElsaWeb. Your order will be reviewed and processed accordingly.

## Additional Information

All parts and service references provided in this Update are subject to change and/or removal. Always check with your Parts Department and service manuals for the latest information.