

REFERENCE:	Nova Bus Manuals
SECTION:	09: Engine and cooling
RS N°:	–
EFFECTIVE IN PROD.:	–

APPLICATION DEADLINE: 2014OC01
CLAIM REFERENCE NUMBER: –

SUBJECT:	Radiator frame ground cable.
JUSTIFICATION:	Ground cable was mounted on radiator frame without the paint being removed.

LEVEL	DESCRIPTION	DIRECT CHARGES		TIME
		LABOUR	MATERIAL	
1	Remove paint on radiator frame.	Nova Bus	Nova Bus	15 min
2	–	–	–	–

MATERIAL

QTY	PART N°	REV.	DESCRIPTION	REPLACES PART N°
LEVEL 1				
–	–	–	–	–
LEVEL 2				
–	–	–	–	–

DISPOSAL OF PARTS

REMOVED PARTS ARE:	DISCARDED	RETAINED	–
	–	–	

REVISION HISTORY

REV.	DATE	CHANGE DESCRIPTION	WRITTEN BY
NR	2013OC08	Initial release	Bertrand Plouffe

CLIENT	ORDER	ROAD NUMBER		VIN (2NVY/4RKY...)		QTY
		FROM	TO	FROM	TO	
Puerto Rico (ref. L788)	L754	—	—	L82UXD4500277	L82UXD4500277	1
Puerto Rico (ref. L788)	L754	—	—	L82U2D4500290	L82U0D4500305	15
Houston - Texas	L755	1519	1531	S92U5D4500342	S92U1D4500354	13

**WARNING**

Follow your internal safety procedures.

PROCEDURE

- 1.1. Open the radiator canopy.
- 1.2. Locate the radiator frame ground cable. See Figure 1.

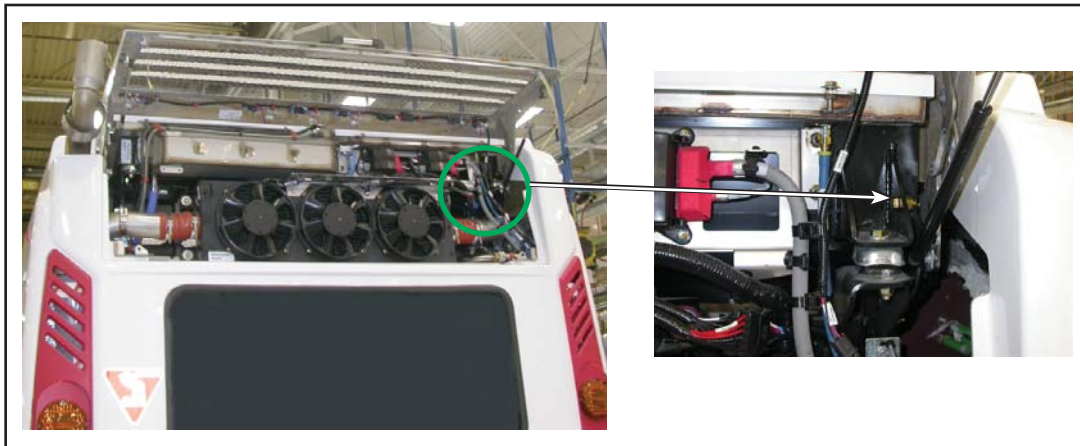


Figure 1 - Radiator Frame Ground Cable Location

- 1.3. Remove the ground cable from the radiator frame. Retain the hardware. See Figure 2.

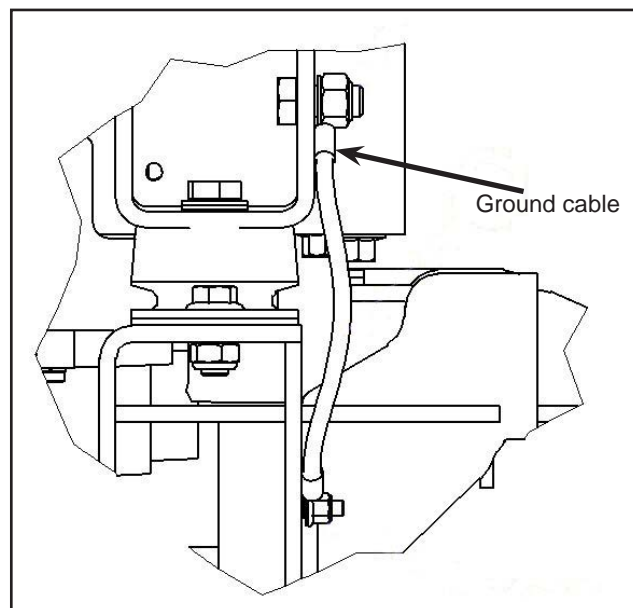


Figure 2 - Close View of the Ground Cable

- 1.4. Remove paint from the frame area to bare metal where the ground cable makes contact. See Figure 3.

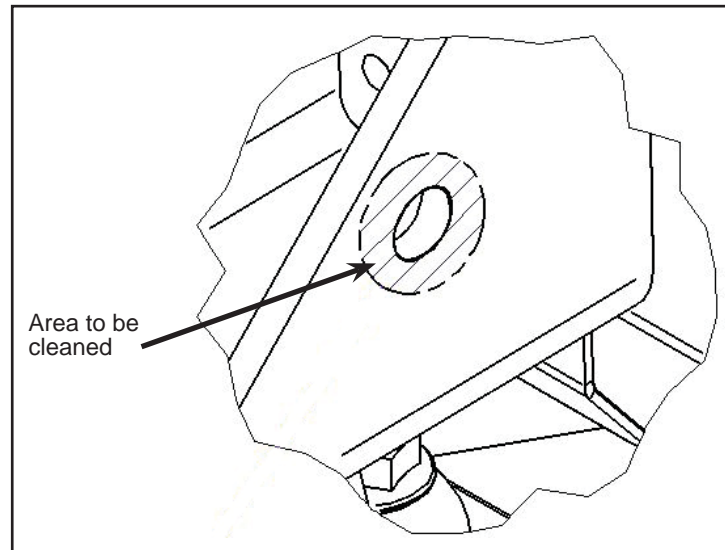


Figure 3 - Area to be cleaned

- 1.5. Re-install the ground cable on the radiator frame using the retained hardware. Torque to the specified value. See Figure 4. Apply Loctite Maxi-Coat, or equivalent, and Torque Seal paint.

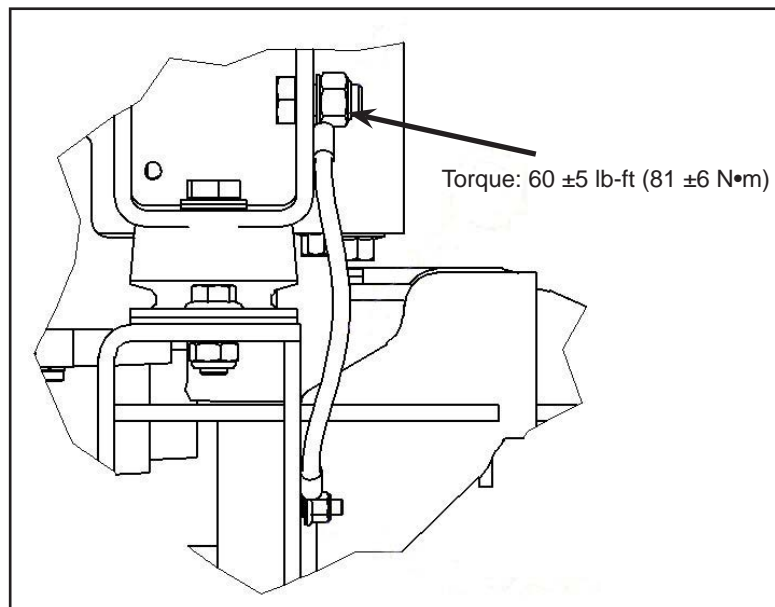


Figure 4 - Radiator Frame Ground Cable Installation

- 1.6. Close the radiator canopy.
1.7. The vehicle may be returned to service. ❖