

REFERENCE:	Nova Bus Manuals
SECTION:	09 Air intake system
RS N°:	MQR 7621-470
EFFECTIVE IN PROD.:	–

APPLICATION DEADLINE: 2014AL22
-----------------------------------

SUBJECT:	Engine air intake pipe
JUSTIFICATION:	The engine air intake hose could rub against the air conditioning compressor components

LEVEL	DESCRIPTION	DIRECT CHARGES		TIME
		LABOUR	MATERIAL	
1	Affix the engine air intake hose to the vehicle structure	Nova Bus	Nova Bus	15 min
2	–	–	–	–

**MATERIAL**

QTY	PART N°	REV.	DESCRIPTION	REPLACES PART N°
<b>LEVEL 1</b>				
1	N70059		Support	
1	N69964		Support	
1	N70908		Threaded rod	
1	N22781-08		Clamp	
1	N71793		Square Nut	
1	N70903		Nut	
<b>LEVEL 2</b>				
–	–	–	–	–

Materials will be available within 14 days. To order, please contact Prevost Parts by phone at 1-800-771-6682, by fax at 1-888-668-2555 or by email at [prevostparts.commandes@volvo.com](mailto:prevostparts.commandes@volvo.com). Specify document number, quantity of parts required and shipping address.

**DISPOSAL OF PARTS**

REMOVED PARTS ARE:	DISCARDED *	RETAINED	* Dispose of the unused parts and the defective parts in accordance with local environmental standards in effect.
	Yes	–	

**REVISION HISTORY**

REV.	DATE	CHANGE DESCRIPTION	WRITTEN BY
NR	2013FE28	Initial release	Wilder Galiano

CLIENT	ORDER	ROAD NUMBER		VIN (2NVY/4RKY...)		QTY
		FROM	TO	FROM	TO	
Airdrie Transit - Alberta	L664	—	—	L82U2B3000507	L82U2B3000507	1
Arrow Coach Line - Arkansas	L494	—	—	L82U793000397	L82U793000397	1
BC Transit - BCT - British Columbia	L463	9319	9333	L82U093000273	L82U093000287	15
BC Transit - BCT - British Columbia	L481	9334	9353	L82U794000004	L82U094000023	20
BC Transit - BCT - British Columbia	L484	9370	9403	L82U494000090	L82U494000123	34
BC Transit - BCT - British Columbia	L486	9354	9369	L82U294000024	L82U494000039	16
BC Transit - BCT - British Columbia	L487	9404	9433	L82U094000149	L82U794000178	30
Belleville Transit - Ontario	L542	—	—	L82UXA3000088	L82U8A3000090	3
Belleville Transit - Ontario	L598	—	—	L82U5A3000581	L82U7A3000582	2
Belleville Transit - Ontario	L655	—	—	L82U3B3000385	L82U3B3000385	1
Brampton - Ontario	L501	0917	0926	L82U893000506	L82U893000523	10
Brantford - Ontario	L547	10101	10105	L82X6A3000082	L82X3A3000086	5
Calgary Transit - Alberta	L601	8101	8114	L82U5A4000099	L82U4A4000112	14
Calgary Transit - Alberta	L607	8115	8130	L82UXA3000477	L82U6A3000492	16
Calgary Transit - Alberta	L615	8131	8158	L82U1B4000019	L82U4B4000046	28
Calgary Transit - Alberta	L624	8159	8160	L82U4B4000077	L82U6B4000078	2
Calgary Transit - Alberta	L637	8161	8180	L82U7B3000356	L82U2B3000376	20
Clemson Area Transit - South Carolina (ref L722)	L641	—	—	L82U1C4500005	L82U9C4500009	4
CMBC (TransLink) - British Columbia	L412	9401	9401	L82X993000136	L82X993000136	1
CMBC (TransLink) - British Columbia	L454	9402	9470	L82X793000359	L82XX93000453	69
CMBC (TransLink) - British Columbia	L455	9471	9491	L82X093000459	L82X993000489	21
CMBC (TransLink) - British Columbia	L482	9492	9517	L82X894000040	L82X094000064	25
CMBC (TransLink) - British Columbia	L483	9518	9542	L82X294000065	L82X594000089	25
CMBC (TransLink) - British Columbia	L532	9543	9551	L82U093000497	L82U693000505	9
CMBC (TransLink) - British Columbia	L533	9552	9573	L82U193000511	L82U093000537	22
CMBC (TransLink) - British Columbia	L534	9574	9589	L82U694000124	L82U894000139	16
CMBC (West Vancouver) - British Columbia	L539	901	909	L82U494000140	L82U994000148	9
Connecticut Transit - Connecticut	L554	1041	1065	S92U1A4000139	S92U0A4000164	25
Demo - Articulated Bus	L433	—	—	S92UX93000029	S92UX93000029	1
Demo - Articulated Bus APTA US	L359	—	—	S92U583000289	S92U583000289	1
Demo - Engineering Platform 2010 (Altoona)	L373	373-1	373-1	L82UX83000151	L82UX83000151	1
Demo - Nova PF2010 (TARC)	L356	356-2	356-2	L82U883000231	L82U883000231	1
Demo - Plateforme 2010 (ATQ)	L456	—	—	L82U893000019	L82U893000019	1
Demo - Proto Platform 2010	L271	—	—	L82U283000001	L82U483000002	2
Duke University - North Carolina (ref. L703)	L641	—	—	L82U9C4500012	L82U1C4500022	8
Grand River Transit - GRT - Ontario	L464	20901	20913	L82U193000296	L82U493000308	13
Grand River Transit - GRT - Ontario	L560	21001	21009	L82U2A3000246	L82U1A3000254	9
Grand River Transit - GRT - Ontario	L633	21101	21115	L82U7B3000289	L82U8B3000303	15
Greater Toronto Airports Authority - GTAA - Ontario	L432	432-1	432-1	L82U793000061	L82U793000061	1
Greater Toronto Airports Authority - GTAA - Ontario	L477	L477-1	L477-1	L82U194000001	L82U194000001	1
Greater Toronto Airports Authority - GTAA - Ontario	L616	—	—	L82U4C4500001	L82U4C4500001	1
Guelph - Ontario	L579	221	224	L82UXA3000401	L82U5A3000404	4
Halifax - Nova Scotia	L558	717	731	S92UXA3000293	S92U6A3000307	15

CLIENT	ORDER	ROAD NUMBER		VIN (2NVY/4RKY...)		QTY
		FROM	TO	FROM	TO	
Halifax - Nova Scotia	L613	732	741	S92UXB3000019	S92UXB3000028	10
Honolulu - Hawaii	L559	201	224	L82U6A4000113	L82U7A4000136	24
Kings Transit - Kentville, Nova Scotia	L581	—	—	L82U2B3000054	L82U2B3000054	1
Lethbridge - Alberta	L489	165	169	L82U493000454	L82U193000458	5
Marketing Sales Demo - MSD 1 ISB Hybrid	L548	—	—	L82X5A3000087	L82X5A3000087	1
Marketing Sales Demo - MSD 3	L617	—	—	S92U5C4500002	S92U5C4500002	1
Marketing Sales Demo - MSD 4	L568	—	—	S92U9B3000013	S92U9B3000013	1
Marketing Sales Demo - MSD 4	L618	—	—	S92U1C3000377	S92U1C3000377	1
Marketing Sales Demo - MSD 4	L641	—	—	L82U5C4500010	L82U5C4500010	1
Marketing Sales Demo - MSD 6 Houston	L628	—	—	L82U8C4500003	L82UXC4500004	2
Moncton (Codiac) - New Brunswick	L358	358-1	358-1	L82U093000001	L82U093000001	1
Moncton (Codiac) - New Brunswick	L361	361-1	361-1	L82U293000002	L82U293000002	1
Moncton (Codiac) - New Brunswick	L570	—	—	L82U6B4000002	L82U6B4000002	1
New York City Transit - New York	L536	1200	1201	S92U793000490	S92U993000491	2
New York City Transit - New York	L545	1202	1289	S92U5A4000001	S92U0A4000098	88
New York City Transit - New York	L608	8000	8014	L82U6B4000047	L82U0B4000061	15
New York City Transit - New York	L620	8015	8074	L82U2B4000062	L82U7B4000123	60
New York City Transit - New York	L621	8075	8089	L82U9B4000124	L82U9B4000138	15
Niagara Falls - Ontario	L499	2986	2989	L82U093000564	L82U693000567	4
Peterborough - Ontario	L490	—	—	L82UX93000345	L82U593000348	4
Regina - Saskatchewan	L356	629	629	L82U883000150	L82U883000150	1
Regina - Saskatchewan	L360	630	630	L82U283000290	L82U283000290	1
Regina - Saskatchewan	L476	625	628	L82U893000313	L82U393000316	4
Regina - Saskatchewan	L561	631	644	L82U8B4000003	L82UXB4000018	14
Regina - Saskatchewan	L639	645	654	L82U1B3000336	L82U2B3000345	10
Saskatoon - Saskatchewan	L551	1005	1007	S92UXA3000178	S92U8A3000180	3
Sault Ste-Marie Transit Services - Ontario (ref L686)	L641	—	—	L82U7C4500008	L82U6C4500016	5
St. John - New Brunswick	L272	—	—	S92U483000011	S92U483000011	1
St. John - New Brunswick	L273	—	—	S92U383000050	S92U383000050	1
St. John's - Newfoundland	L503	1066	1066	L82U4A3000071	L82U4A3000071	1
Stratford - Ontario	L493	—	—	L82U2A3000019	L82U2A3000019	1
Stratford - Ontario	L634	—	—	L82UXB3000352	L82UXB3000352	1
Strathcona County Transit - Alberta	L523	2010	2010	L82U693000603	L82U693000603	1
Strathcona County Transit - Alberta	L524	3005	3010	L82X593000604	L82X493000609	6
Strathcona County Transit - Alberta	L580	2011	2023	L82U1A3000464	L82U8A3000476	13
Strathcona County Transit - Alberta	L659	2024	2028	L82U7B3000440	L82U4B3000444	5
Sudbury - Ontario	L465	791	795	L82U593000317	L82U793000321	5
Sudbury - Ontario	L552	801	808	L82U3A3000238	L82U0A3000245	8
Sudbury - Ontario	L632	811	817	L82U9B3000326	L82U4B3000332	7
Thunder Bay - Ontario	L488	—	—	L82U193000332	L82U593000334	3
Thunder Bay - Ontario	L614	—	—	L82UXB3000061	L82U3B3000063	3
Timmins - Ontario	L475	—	—	L82U493000311	L82U693000312	2
Timmins - Ontario	L550	—	—	L82U8A3000171	L82UXA3000172	2
Timmins - Ontario	L661	—	—	L82U9B3000486	L82U9B3000486	1

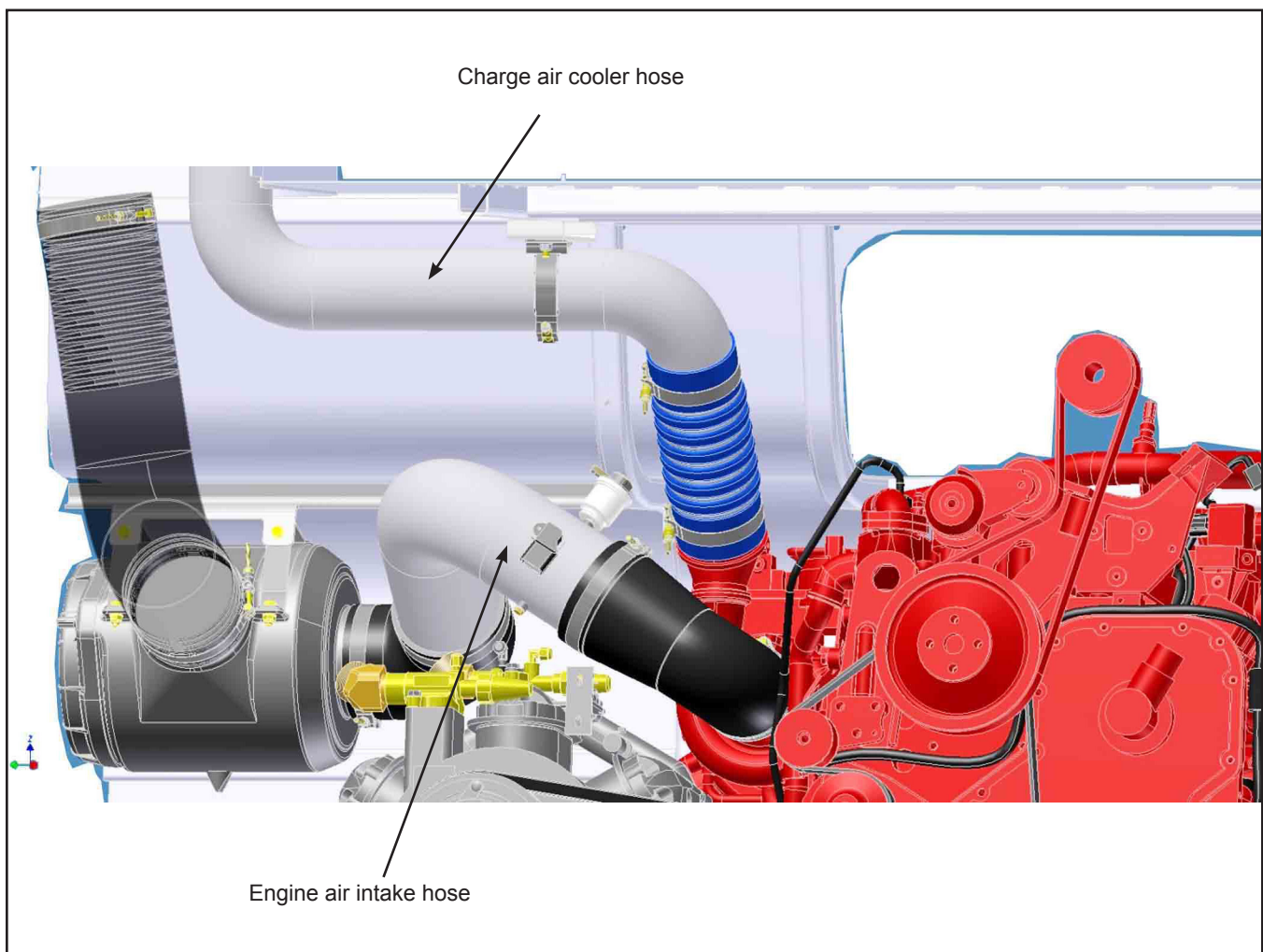
CLIENT	ORDER	ROAD NUMBER		VIN (2NVY/4RKY...)		QTY
		FROM	TO	FROM	TO	
University of Alabama - Alabama	L479	479-1	479-1	L82U394000002	L82U394000002	1
University of Alabama - Alabama	L480	480-1	480-1	L82U594000003	L82U594000003	1
University of Alabama - Alabama	L573	—	—	L82U9A4000137	L82U0A4000138	2
University of Alabama - Alabama	L640	—	—	L82U9B4000141	L82U0B4000142	2
University of Colorado - Colorado	L427	—	—	S92U693000027	S92U693000027	1
University of Colorado - Colorado	L428	—	—	S92U893000028	S92U893000028	1
University of Colorado - Colorado	L627	—	—	S92UXB4000139	S92U6B4000140	2
Walt Disney World - Florida	L535	1204	1213	L82UXA4000003	L82U0A4000012	10
Whitehorse - Yukon	L563	38	41	L82U3A3000255	L82U9A3000258	4
Woodstock - Ontario	L460	—	—	L82U693000309	L82U693000309	1
Woodstock - Ontario	L492	—	—	L82U4A3000040	L82U6A3000041	2
York Regional Transit - Ontario	L562	1080	1082	S92U2A3000420	S92U6A3000422	3
York Regional Transit - Ontario	L572	1083	1094	S92U3A3000569	S92U2A3000580	12

**WARNING**

Follow your internal safety procedures.

**PROCEDURE**

- 1.1. Open the engine access door.
- 1.2. Locate the engine air intake hose and the engine cooling air hose. See Figure 1.



*Figure 1 - Air Intake Hoses Location*

- 1.3. Install the N70059 support on the cooler air intake hose's front bolt support. See Figures 2 and 4.

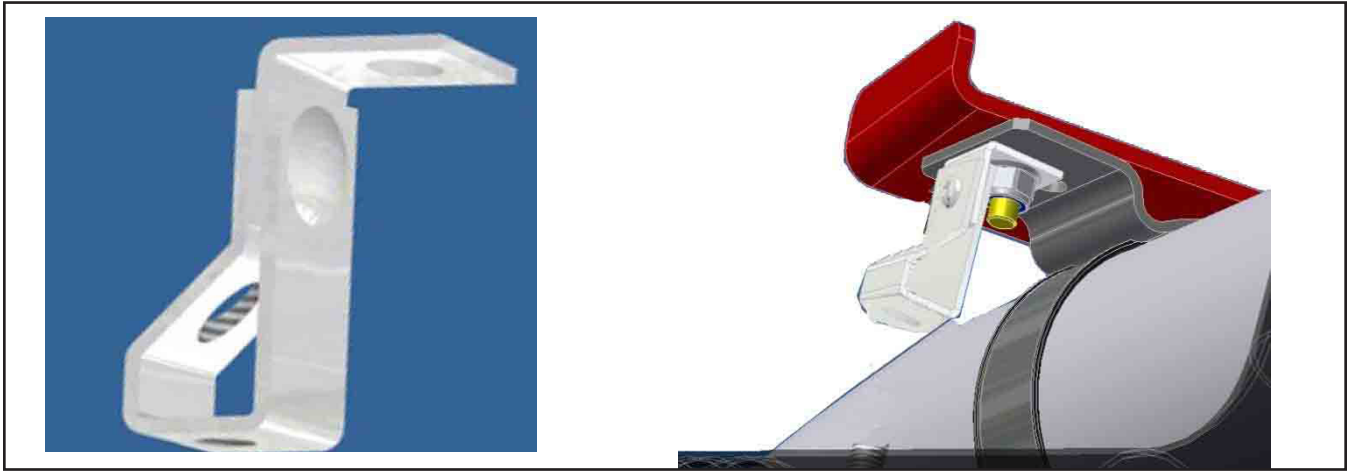


Figure 2 - N70059 Upper Support Installation

- 1.4. Install plumbing type Teflon tape onto the engine air intake hose beside the turbo compressor flexible pipe. See Figure 3.

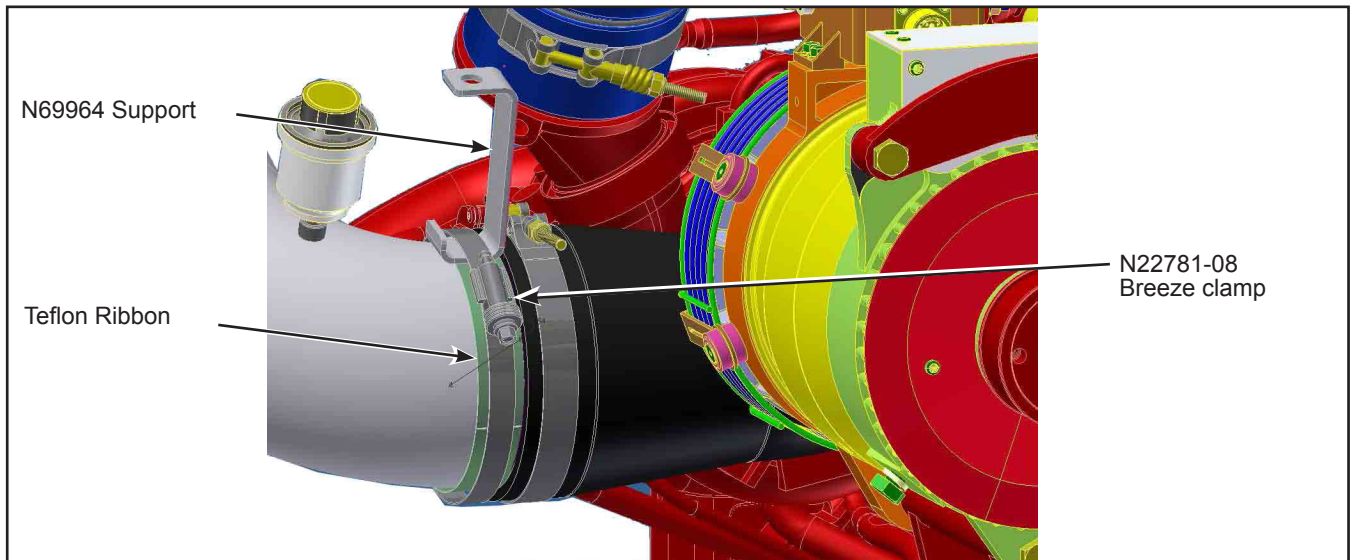


Figure 3 - Lower Support Installation

- 1.5. Install the N22781-08 breeze clamp, do not fasten.
- 1.6. Slide the N69964 side support without the hole under the N22781-08 breeze clamp.
- 1.7. Cut the N70908 threaded rod, so that it extends past the two supports by approximately 1 inch.
- 1.8. Install the square nut N71793 inside the N70059 support. See Figure 4.

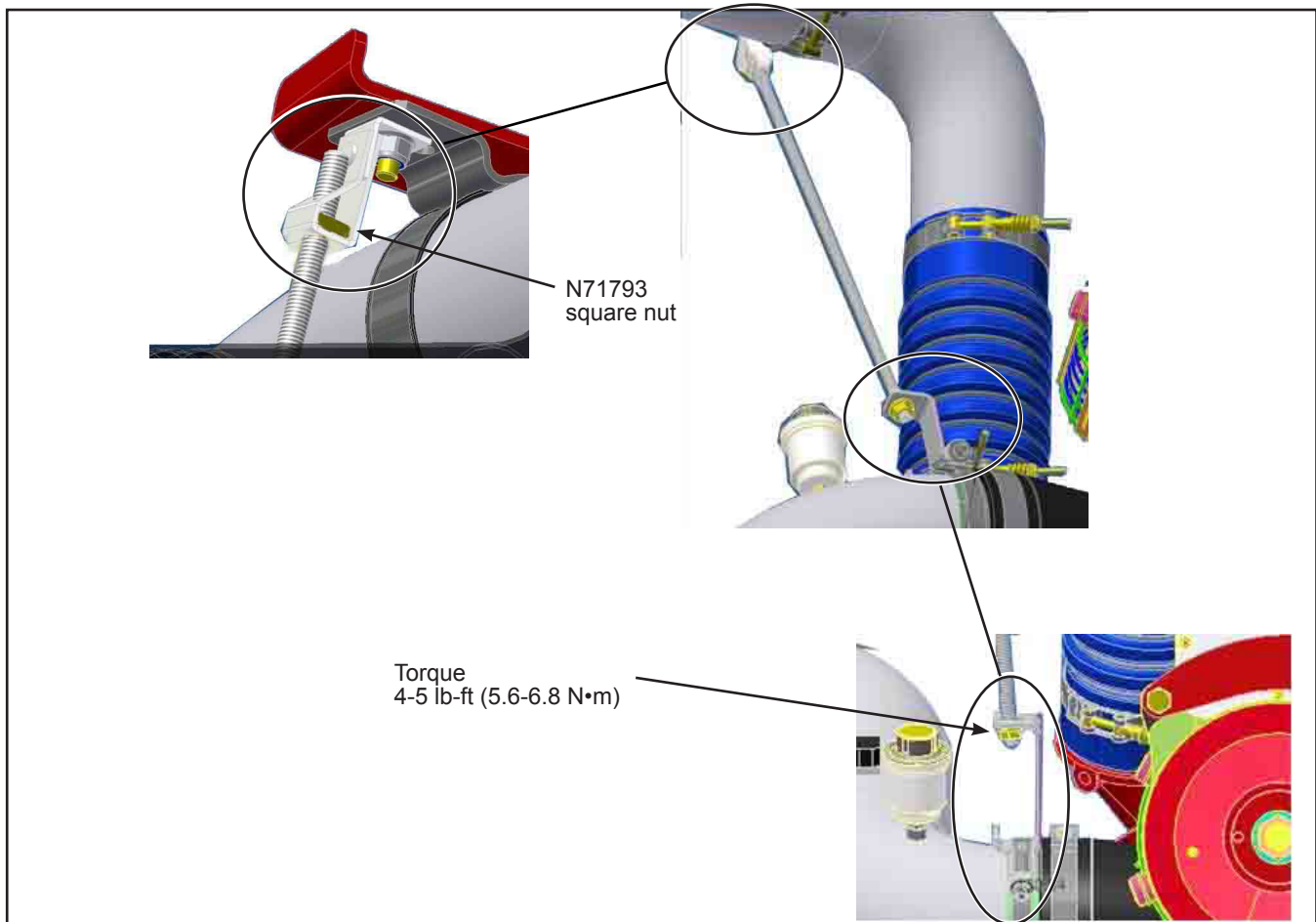


Figure 4 - Threaded Rod Installation

- 1.9. Install the threaded rod between the two supports N70059 and N69964.
- 1.10. Install, without fastening, one N70903 nut on the lower extremity of the threaded rod.
- 1.11. Tighten the N22781-08 breeze clamp bolt.
- 1.12. Adjust the height of the engine air intake hose by tightening the lower support nut. Allow at least 1 inch between the engine air pipe and the compressor components.
- 1.13. Tighten the bolt to the torque specified in Figure 4. Apply blue thread locker medium strength.
- 1.14. Close the engine access door.
- 1.15. The vehicle can be returned to service.❖