



Service Bulletin

PRELIMINARY INFORMATION

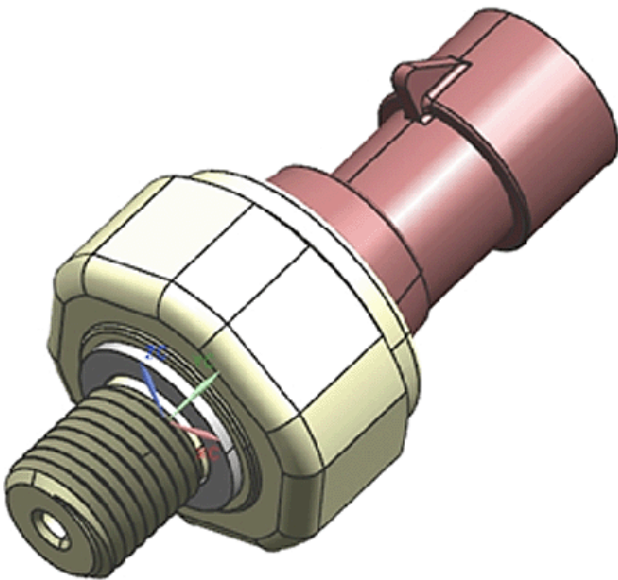
Subject: Oil Pressure Switch Replacement Information

Models: 2013 Buick Encore
2011-2013 Chevrolet Cruze, Volt
2012-2013 Chevrolet Sonic
Equipped with Engine RPOs LUW, LWE, LUJ, LUU, LUV

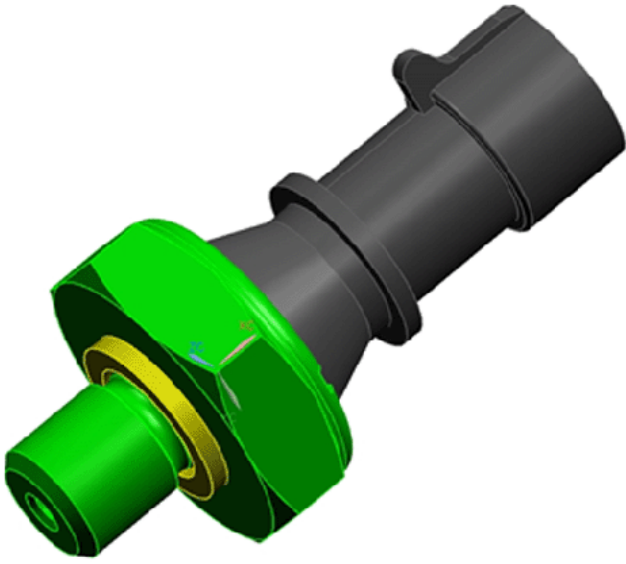
Condition/Concern

If replacement or removal of the oil pressure switch is necessary, it is important to torque the switch to the right specification. There is the possibility to have one of two switches available for replacement. Each switch has a different torque specification depending on which engine they are used on. Please see pictures below for reference.

LUW and LWE Oil Pressure Switch – 40 Y (30 lb ft)



LUW, LWE, LUJ, LUV & LUU Oil Pressure Switch – 20 Y (15 lb ft)



GM bulletins are intended for use by professional technicians, NOT a "do-it-yourselfer". They are written to inform these technicians of conditions that may occur on some vehicles, or to provide information that could assist in the proper service of a vehicle. Properly trained technicians have the equipment, tools, safety instructions, and know-how to do a job properly and safely. If a condition is described, DO NOT assume that the bulletin applies to your vehicle, or that your vehicle will have that condition. See your GM dealer for information on whether your vehicle may benefit from the information.



WE SUPPORT VOLUNTARY TECHNICIAN CERTIFICATION