

© 2013 Mazda Motor of America, Inc.

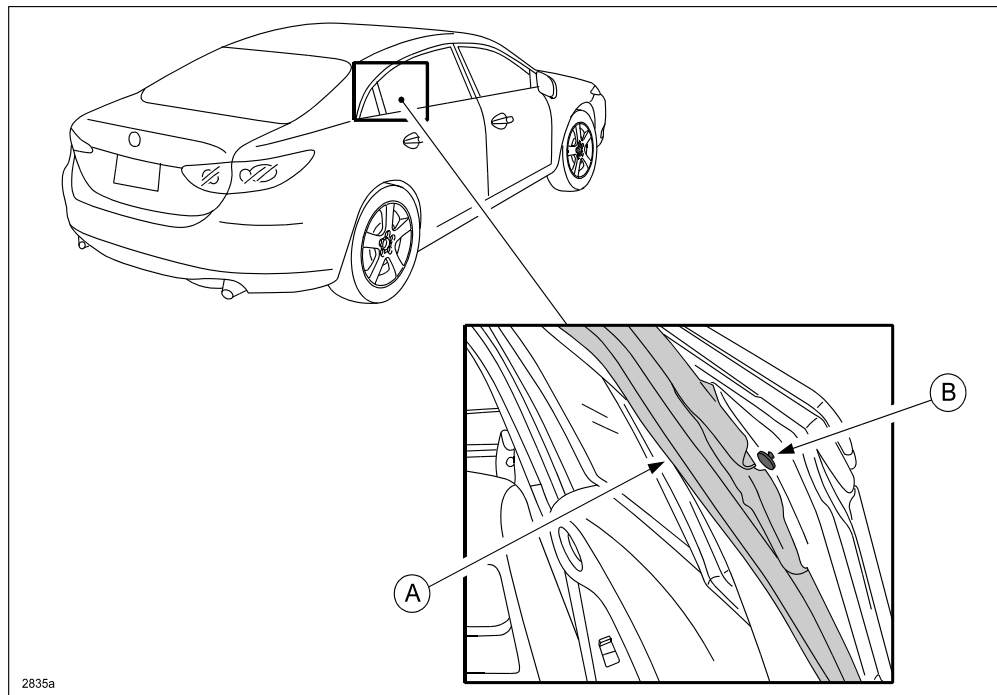
Subject: REAR DOOR WEATHERSTRIP OUT OF POSITION	Bulletin No: 09-029/13
	Last Issued: 11/05/2013

APPLICABLE MODEL(S)/VINS

2014 Mazda6

DESCRIPTION

Some customers may have a concern with the top edge of the rear door weatherstrip (A) detached from fastener (B).



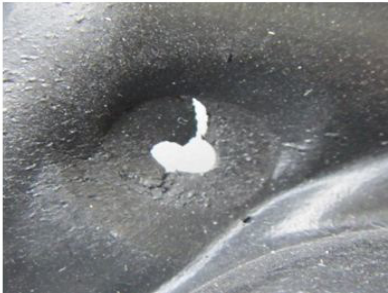

Customers having this concern should have their vehicle repaired using the following repair procedure.

REPAIR PROCEDURE

If repair is necessary, perform repair on both rear doors.

1. Verify if the weatherstrip fastener hole is not cracked as shown below. If cracked as shown "NG", replace weatherstrip. If damaged, but not cracked completely as shown "OK", reuse old weatherstrip.

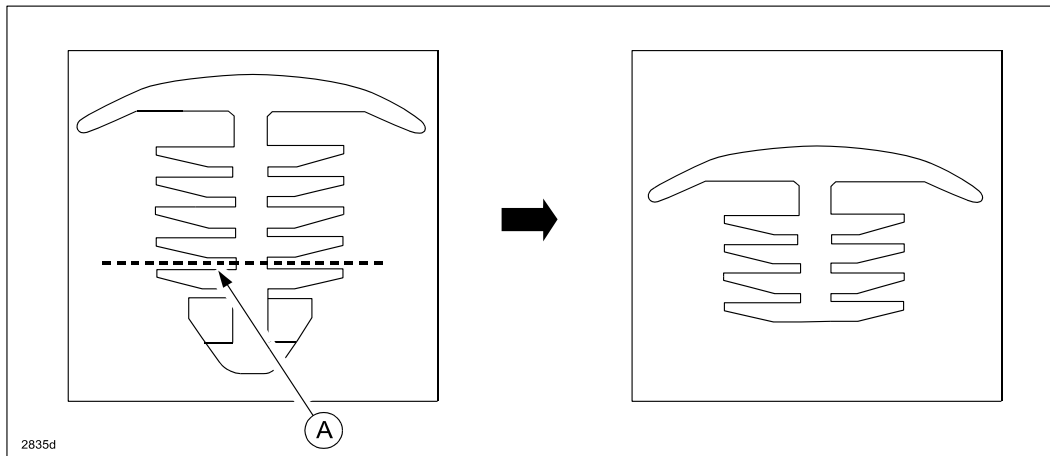
NOTE: If weatherstrip replacement is necessary, verify there is no water leakage after repair.

NG	OK
	
Cracked, replace weatherstrip.	Damaged, but not cracked completely.

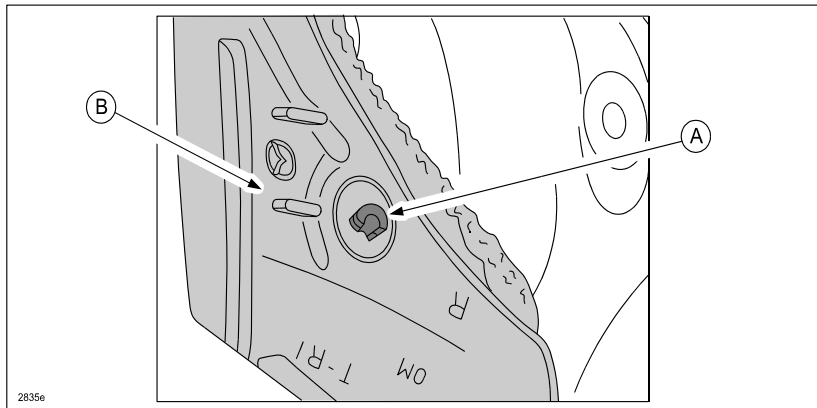
2. Remove the weatherstrip (if not detached already) and the fasteners from both rear doors.

NOTE: Be careful not to damage the weatherstrip fastener hole during removal.

3. Cut off one notch from the end (A) of the new fastener (GHY0-58-762) as shown.

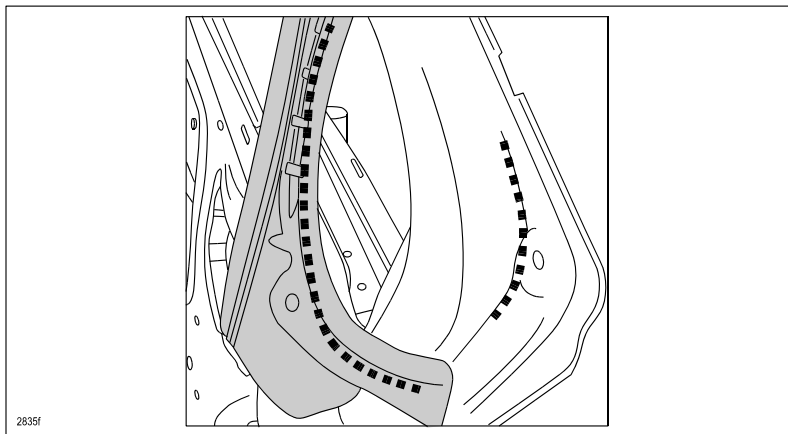


4. Install the cut fasteners (A) to both rear doors' weatherstrip (B).



NOTE: Do not install the weatherstrip to the door panel yet.

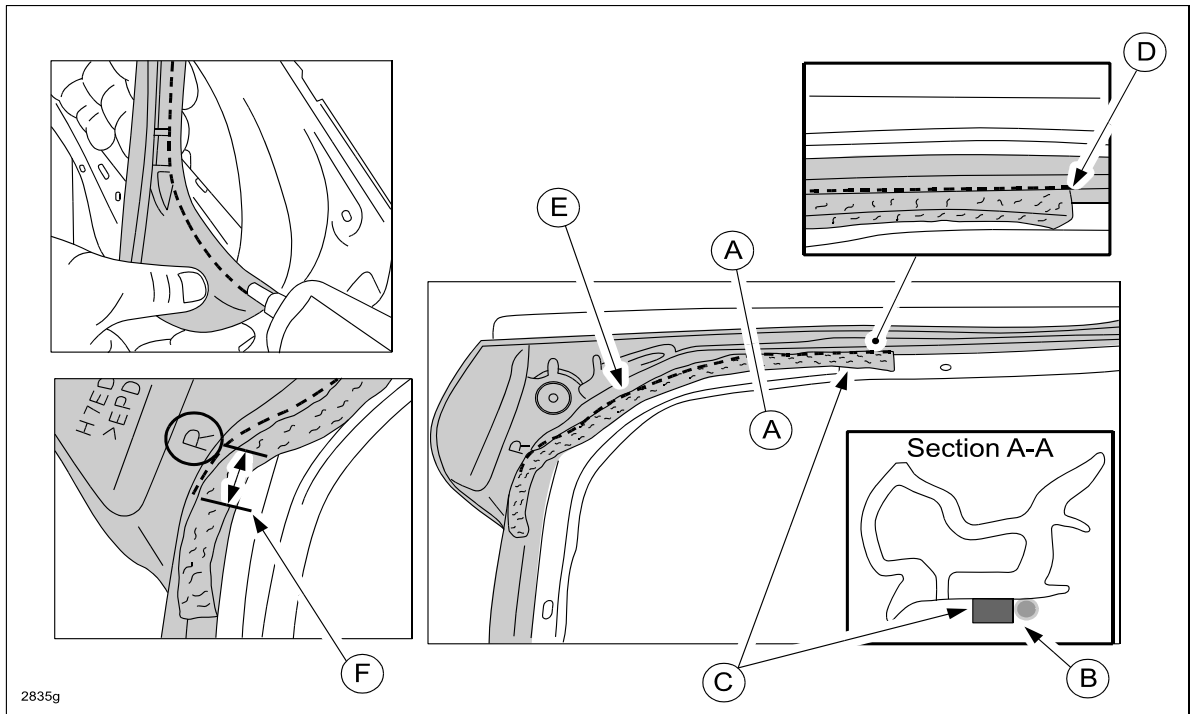
5. Clean the bonding area of weatherstrip and door panel. (Dotted line area of image).



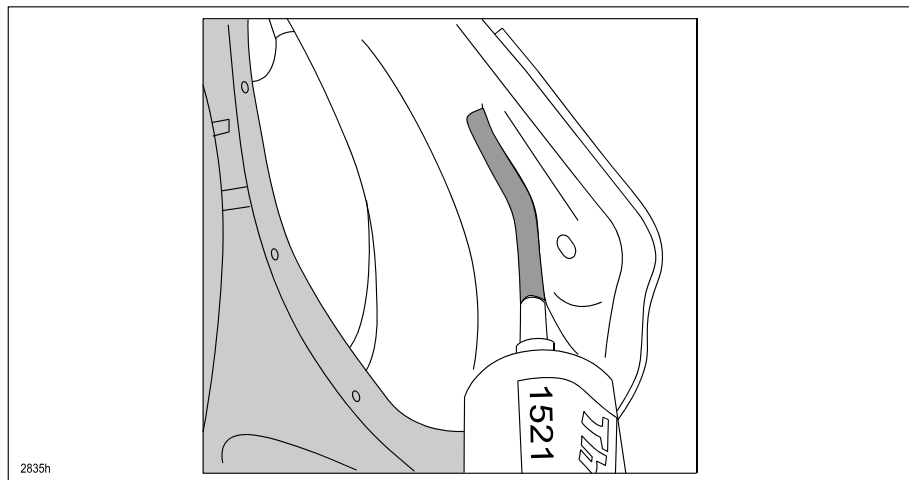
6. Apply a 4 mm round bead (B) to the outside of the ethylene-propylene terpolymer (EPT) sealer (C) starting from point (D). Continue bonding as shown in the dotted line (E) up to 10 mm below R or L mark (F).

NOTE: Minimize bond waste by not applying more than 10 mm below R or L mark (F).

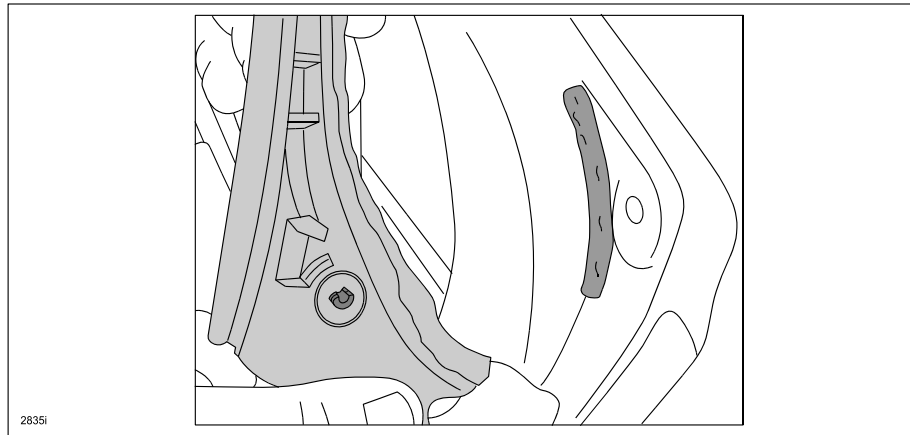
Bond: Three Bond TB1521 or Wuerth 0890 100 015 "Profile Rubber Glue" or equivalent.



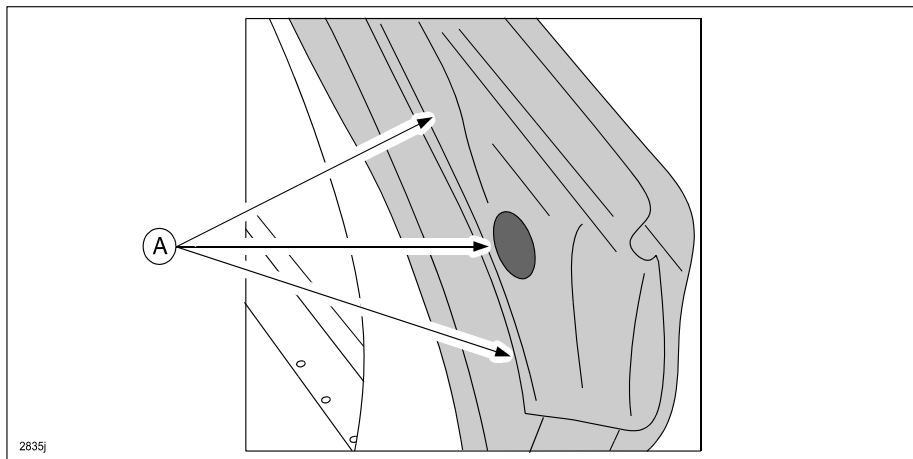
7. Apply a 4 mm round bead to the door panel as shown:



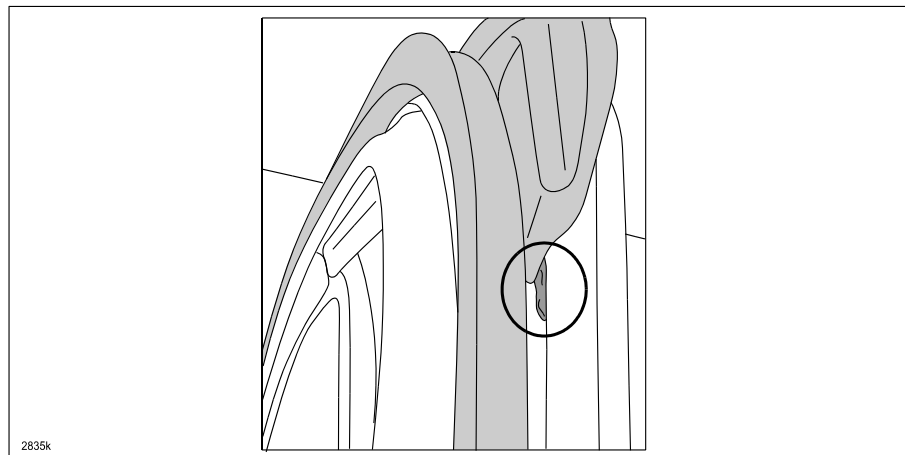
8. Allow the bond to dry until it's surface does not stick to finger.



9. Install the weatherstrip to the door panel and press on the bonding area (A).



10. Remove any excess bond application.



NOTE: Repeat step 1-10 on other rear door.

PART(S) INFORMATION

Part Number	Description	Qty.	Notes
GHY0-58-762	Fastener	2	---
GHK1-72-760A	Weatherstrip (R)	1	Only replace if the weatherstrip fastener hole is cracked
GHK1-73-760A	Weatherstrip (L)	1	

WARRANTY INFORMATION

NOTE:

- This warranty information applies only to verified customer complaints on vehicles eligible for warranty repair.
- This repair will be covered under Mazda’s New Vehicle Limited Warranty term.
- Additional diagnostic time cannot be claimed for this repair.
- Only replace weatherstrip(s) if the fastener hole is cracked.

Warranty Type	A		
Symptom Code	91		
Damage Code	97		
Part Number Main Cause	GHY0-58-762		
Quantity	2		
Operation Number / Labor Hours:	XXJAXRX / 0.4 Hrs.	XXJAYRX / 0.6 Hrs.	XXJAZRX / 0.8 Hrs.
	Replace fastener on both sides	Replace fastener on both sides and weatherstrip on one side	Replace fastener and weatherstrip on both sides

NOTE: Do not claim the Three Bond TB1521 or Wuerth 0890 100 015 “Profile Rubber Glue” or equivalent as a related part. The Bond used for this repair is included in the labor allowance.