



NEW FLYER

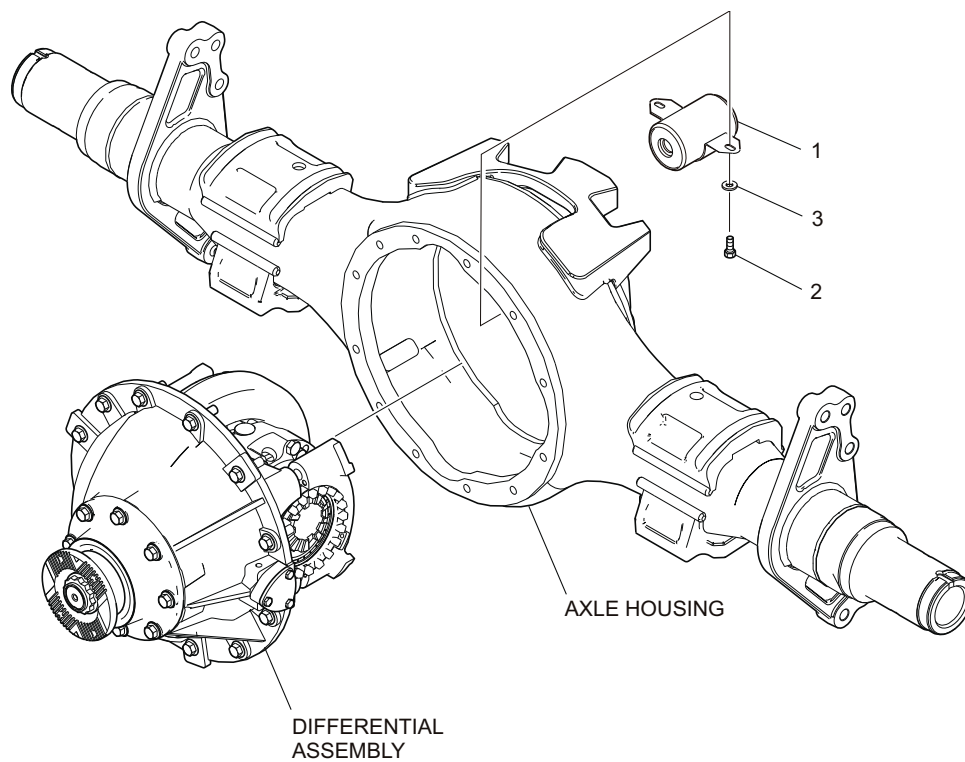
PARTS MANUAL BULLETIN

This Parts Manual Bulletin is prepared by the Publications Department of New Flyer Industries Canada ULC. This Parts Manual Bulletin supplements existing information in your New Flyer Parts Manual. Refer to details below.

PMB-040

ISSUE DATE: Dec 20 2012

APPLICABILITY					
VEHICLE LENGTH	<input type="checkbox"/> 30ft.	<input type="checkbox"/> 35ft.	<input checked="" type="checkbox"/> 40ft.	<input checked="" type="checkbox"/> 60ft.	<input type="checkbox"/> ALL
VEHICLE TYPE	<input type="checkbox"/> High Floor	<input type="checkbox"/> Low Floor	<input type="checkbox"/> Invero	<input checked="" type="checkbox"/> Xcelsior	<input type="checkbox"/> ALL
FUEL TYPE	<input checked="" type="checkbox"/> Diesel	<input type="checkbox"/> Electric	<input checked="" type="checkbox"/> CNG	<input type="checkbox"/> LNG	<input type="checkbox"/> ALL
	<input checked="" type="checkbox"/> Diesel/Electric	<input type="checkbox"/> Gas/Electric	<input type="checkbox"/> Fuel Cell		
SUBJECT	Rear Axle Housing Oil Filter				
SECTION TITLE	2 - REAR AXLE & SUSPENSION				
DETAILS	<p>This bulletin provides information on parts for the Rear Axle Housing Oil Filter used on your New Flyer vehicle with HY-1336-F or HY-1350-F rear axles.</p> <p>Refer to Service Manual Bulletin SMB-121 for filter replacement procedure.</p> <p>This information supercedes all prior information on this subject already provided in your New Flyer Manuals. Make this Parts Bulletin available to service personnel to inform them of changed information.</p>				





NEW FLYER

ITEM	QTY	PART NUMBER	DESCRIPTION
1	1	6411033	Oil Filter
2	2	6407988	Screw, Lock M8 x 10
3	2	6346381	Washer