

| | |
|---------------------|-------------------------------------|
| REFERENCE: | Nova Bus Manuals |
| SECTION: | 11 Fuel and Exhaust |
| RS N°: | MQR 7621-518 |
| EFFECTIVE IN PROD.: | L681-80 PLB, L708-01 STE (2012JL12) |

| |
|-----------------------------------|
| APPLICATION DEADLINE: 2014JA28 |
|-----------------------------------|

| | |
|----------------|--|
| SUBJECT: | Fuel tank mounting bolts |
| JUSTIFICATION: | Mounting bolts become loose in service |

| LEVEL | DESCRIPTION | DIRECT CHARGES | | TIME |
|-------|--|----------------|----------|-------|
| | | LABOUR | MATERIAL | |
| 1 | Installation of flat washers between the fuel tank and its supporting structure. | Nova Bus | Nova Bus | 30min |
| 2 | - | - | - | - |

MATERIAL

| QTY | PART N° | REV. | DESCRIPTION | REPLACES PART N° |
|----------------|---------|------|-------------|------------------|
| LEVEL 1 | | | | |
| 4 | N26738 | - | Flat washer | - |
| LEVEL 2 | | | | |
| - | - | - | - | - |

Materials will be available within 14 days. To order, please contact Prevost Parts by phone at 1-800-771-6682, by fax at 1-888-668-2555 or by email at prevostparts.commandes@volvo.com. Specify document number, quantity of parts required and shipping address.

DISPOSAL OF PARTS

| | | | |
|--------------------|-----------|----------|---|
| REMOVED PARTS ARE: | DISCARDED | RETAINED | - |
| | - | - | |

REVISION HISTORY

| REV. | DATE | CHANGE DESCRIPTION | WRITTEN BY |
|------|----------|-----------------------------|----------------|
| NR | 2012OC23 | Initial release | Isabel Estañ |
| R1 | 2013JA15 | Procedure under development | Wilder Galiano |

| CLIENT | ORDER | ROAD NUMBER | | VIN (2NVY/4RKY...) | | QTY |
|---|-------|-------------|--------|--------------------|---------------|-----|
| | | FROM | TO | FROM | TO | |
| Arrow Coach Line - Arkansas | L494 | — | — | L82U793000397 | L82U793000397 | 1 |
| BC Transit - BCT - British Columbia | L463 | 9319 | 9333 | L82U093000273 | L82U093000287 | 15 |
| BC Transit - BCT - British Columbia | L481 | 9334 | 9353 | L82U794000004 | L82U094000023 | 20 |
| BC Transit - BCT - British Columbia | L484 | 9370 | 9403 | L82U494000090 | L82U494000123 | 34 |
| BC Transit - BCT - British Columbia | L486 | 9354 | 9369 | L82U294000024 | L82U494000039 | 16 |
| BC Transit - BCT - British Columbia | L487 | 9404 | 9433 | L82U094000149 | L82U794000178 | 30 |
| Belleville Transit - Ontario | L542 | — | — | L82UXA3000088 | L82U8A3000090 | 3 |
| Brampton - Ontario | L501 | 0917 | 0926 | L82U893000506 | L82U893000523 | 10 |
| CMBC (TransLink) - British Columbia | L532 | 9543 | 9551 | L82U093000497 | L82U693000505 | 9 |
| CMBC (TransLink) - British Columbia | L533 | 9552 | 9573 | L82U193000511 | L82U093000537 | 22 |
| CMBC (TransLink) - British Columbia | L534 | 9574 | 9589 | L82U694000124 | L82U894000139 | 16 |
| CMBC (West Vancouver) - British Columbia | L539 | 901 | 909 | L82U494000140 | L82U994000148 | 9 |
| Demo - Engineering Platform 2010 (Altoona) | L373 | 373-1 | 373-1 | L82UX83000151 | L82UX83000151 | 1 |
| Demo - Nova PF2010 (TARC) | L356 | 356-2 | 356-2 | L82U883000231 | L82U883000231 | 1 |
| Demo - Plateforme 2010 (ATQ) | L456 | — | — | L82U893000019 | L82U893000019 | 1 |
| Demo - Proto Platform 2010 | L271 | — | — | L82U283000001 | L82U483000002 | 2 |
| Grand River Transit - GRT - Ontario | L464 | 20901 | 20913 | L82U193000296 | L82U493000308 | 13 |
| Grand River Transit - GRT - Ontario | L560 | 21001 | 21009 | L82U2A3000246 | L82U1A3000254 | 9 |
| Greater Toronto Airports Authority - GTAA - Ontario | L432 | 432-1 | 432-1 | L82U793000061 | L82U793000061 | 1 |
| Greater Toronto Airports Authority - GTAA - Ontario | L477 | L477-1 | L477-1 | L82U194000001 | L82U194000001 | 1 |
| Lethbridge - Alberta | L489 | 165 | 169 | L82U493000454 | L82U193000458 | 5 |
| Moncton (Codiac) - New Brunswick | L358 | 358-1 | 358-1 | L82U093000001 | L82U093000001 | 1 |
| Moncton (Codiac) - New Brunswick | L361 | 361-1 | 361-1 | L82U293000002 | L82U293000002 | 1 |
| Niagara Falls - Ontario | L499 | 2986 | 2989 | L82U093000564 | L82U693000567 | 4 |
| Peterborough - Ontario | L490 | — | — | L82UX93000345 | L82U593000348 | 4 |
| Regina - Saskatchewan | L356 | 629 | 629 | L82U883000150 | L82U883000150 | 1 |
| Regina - Saskatchewan | L360 | 630 | 630 | L82U283000290 | L82U283000290 | 1 |
| Regina - Saskatchewan | L476 | 625 | 628 | L82U893000313 | L82U393000316 | 4 |
| Regina - Saskatchewan | L561 | 631 | 644 | L82U8B4000003 | L82UXB4000018 | 14 |
| St. John's - Newfoundland | L503 | 1066 | 1066 | L82U4A3000071 | L82U4A3000071 | 1 |
| Stratford - Ontario | L493 | — | — | L82U2A3000019 | L82U2A3000019 | 1 |
| Strathcona County Transit - Alberta | L523 | 2010 | 2010 | L82U693000603 | L82U693000603 | 1 |
| Sudbury - Ontario | L465 | 791 | 795 | L82U593000317 | L82U793000321 | 5 |
| Sudbury - Ontario | L552 | 801 | 808 | L82U3A3000238 | L82U0A3000245 | 8 |
| Thunder Bay - Ontario | L488 | — | — | L82U193000332 | L82U593000334 | 3 |
| Timmins - Ontario | L475 | — | — | L82U493000311 | L82U693000312 | 2 |
| Timmins - Ontario | L550 | — | — | L82U8A3000171 | L82UXA3000172 | 2 |
| University of Alabama - Alabama | L479 | 479-1 | 479-1 | L82U394000002 | L82U394000002 | 1 |
| University of Alabama - Alabama | L480 | 480-1 | 480-1 | L82U594000003 | L82U594000003 | 1 |
| University of Alabama - Alabama | L573 | — | — | L82U9A4000137 | L82U0A4000138 | 2 |
| Whitehorse - Yukon | L563 | 38 | 41 | L82U3A3000255 | L82U9A3000258 | 4 |
| Woodstock - Ontario | L460 | — | — | L82U693000309 | L82U693000309 | 1 |
| Woodstock - Ontario | L492 | — | — | L82U4A3000040 | L82U6A3000041 | 2 |

**WARNING**

Follow your internal safety procedures.

PROCEDURE

1.1. Raise the vehicle.

**CAUTION**

For more information on the raising and lowering of the vehicle, refer to section 18: HOISTING AND TOWING of the Nova LFS maintenance manual. Respect your current internal safety procedures. Use the proper hoisting equipment for your safety.

1.2. Locate the fuel tank. Lightly loosen, and leave in place, the four curbside mounting bolts. See Figure 1.

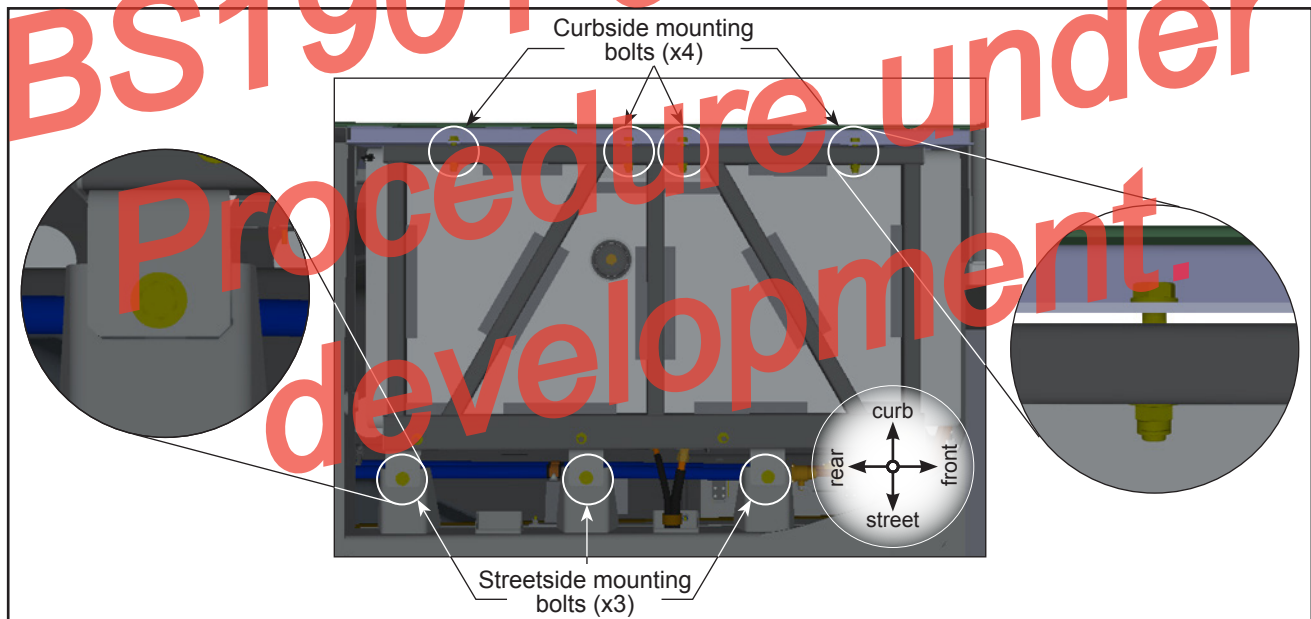


Figure 1 - Fuel Tank Mounting Hardware (As Seen From Below the Vehicle)

- 1.3. One at a time, remove the four bolts and insert a flat washer (N26738) between the fuel tank frame and the supporting structure. See Figure 2.

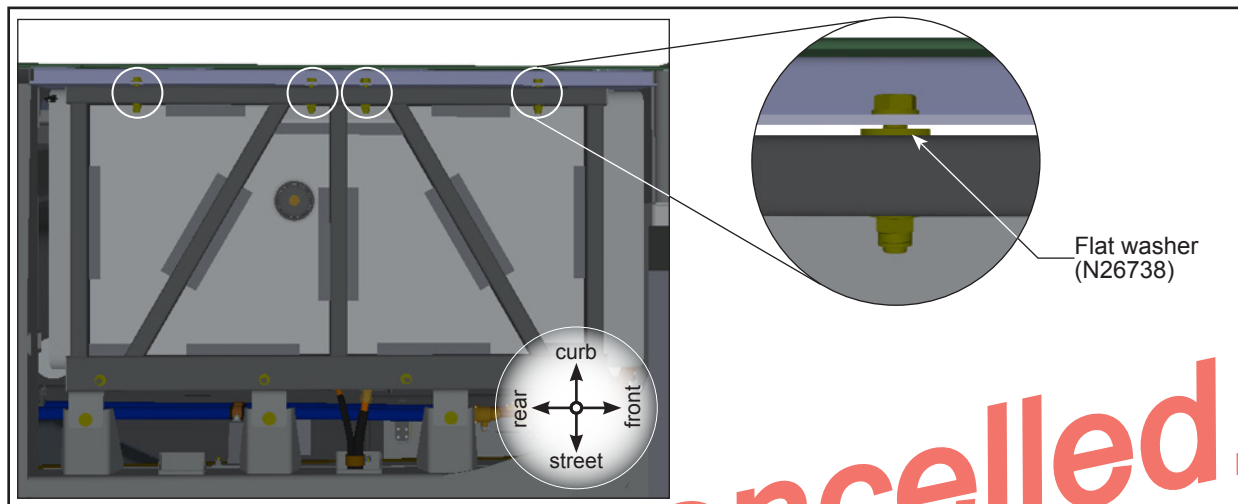


Figure 2 - Flat Washer (N26738) Installation

- 1.4. Tighten the four bolts fitted with a new washer according to the tightening torque and sequence indicated in Figure 3.

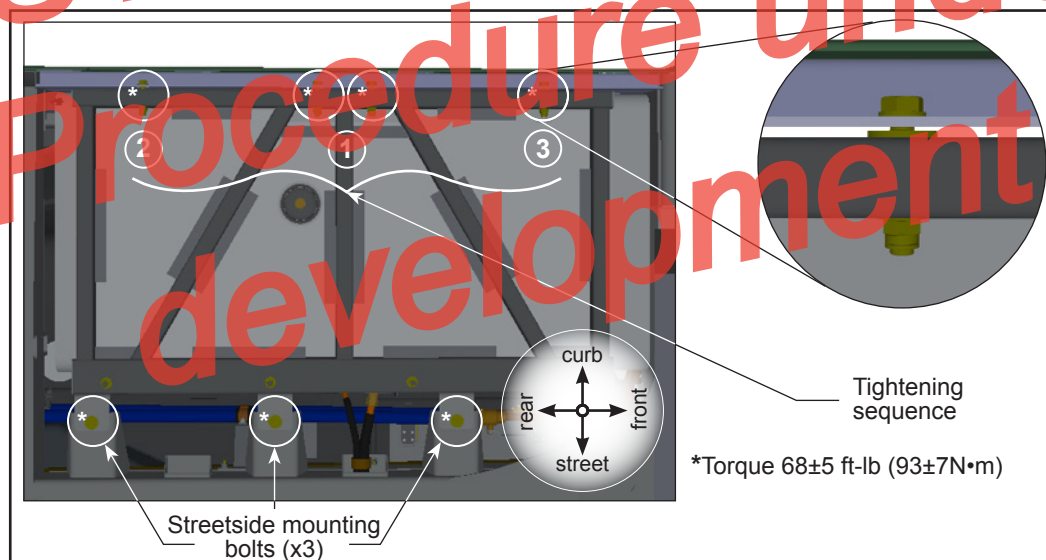


Figure 3 - Torque and Tightening Sequence

- 1.5. Tighten the three streetside bolts according to the torque indicated in Figure 3.
1.6. Lower the vehicle. ❖