

REFERENCE:	Nova Bus Manuals
SECTION:	11 Fuel and Exhaust
RS N°:	MQR 7621-518
EFFECTIVE IN PROD.:	L681-80 PLB, L708-01 STE (2012JL12)

APPLICATION DEADLINE: 2014JA28

SUBJECT:	Fuel tank mounting bolts
JUSTIFICATION:	Mounting bolts become loose in service

LEVEL	DESCRIPTION	DIRECT CHARGES		TIME
		LABOUR	MATERIAL	
1	Installation of flat washers between the fuel tank and its supporting structure.	Nova Bus	Nova Bus	30min
2	–	–	–	–

MATERIAL

QTY	PART N°	REV.	DESCRIPTION	REPLACES PART N°
LEVEL 1				
4	N26738	–	Flat washer	–
LEVEL 2				
–	–	–	–	–

Materials will be available within 14 days. To order, please contact Prevost Parts by phone at 1-800-771-6682, by fax at 1-888-668-2555 or by email at prevostparts.commandes@volvo.com. Specify document number, quantity of parts required and shipping address.

DISPOSAL OF PARTS

REMOVED PARTS ARE:	DISCARDED	RETAINED	–
	–	–	

REVISION HISTORY

REV.	DATE	CHANGE DESCRIPTION	WRITTEN BY
NR	2012OC23	Initial release	Isabel Estañ

CLIENT	ORDER	ROAD NUMBER		VIN (2NVY/4RKY...)		QTY
		FROM	TO	FROM	TO	
Arrow Coach Line - Arkansas	L494	—	—	L82U793000397	L82U793000397	1
BC Transit - BCT - British Columbia	L463	9319	9333	L82U093000273	L82U093000287	15
BC Transit - BCT - British Columbia	L481	9334	9353	L82U794000004	L82U094000023	20
BC Transit - BCT - British Columbia	L484	9370	9403	L82U494000090	L82U494000123	34
BC Transit - BCT - British Columbia	L486	9354	9369	L82U294000024	L82U494000039	16
BC Transit - BCT - British Columbia	L487	9404	9433	L82U094000149	L82U794000178	30
Belleville Transit - Ontario	L542	—	—	L82UXA3000088	L82U8A3000090	3
Brampton - Ontario	L501	0917	0926	L82U893000506	L82U893000523	10
CMBC (TransLink) - British Columbia	L532	9543	9551	L82U093000497	L82U693000505	9
CMBC (TransLink) - British Columbia	L533	9552	9573	L82U193000511	L82U093000537	22
CMBC (TransLink) - British Columbia	L534	9574	9589	L82U694000124	L82U894000139	16
CMBC (West Vancouver) - British Columbia	L539	901	909	L82U494000140	L82U994000148	9
Demo - Engineering Platform 2010 (Altoona)	L373	373-1	373-1	L82UX83000151	L82UX83000151	1
Demo - Nova PF2010 (TARC)	L356	356-2	356-2	L82U883000231	L82U883000231	1
Demo - Plateforme 2010 (ATQ)	L456	—	—	L82U893000019	L82U893000019	1
Demo - Proto Platform 2010	L271	—	—	L82U283000001	L82U483000002	2
Grand River Transit - GRT - Ontario	L464	20901	20913	L82U193000296	L82U493000308	13
Grand River Transit - GRT - Ontario	L560	21001	21009	L82U2A3000246	L82U1A3000254	9
Greater Toronto Airports Authority - GTAA - Ontario	L432	432-1	432-1	L82U793000061	L82U793000061	1
Greater Toronto Airports Authority - GTAA - Ontario	L477	L477-1	L477-1	L82U194000001	L82U194000001	1
Lethbridge - Alberta	L489	165	169	L82U493000454	L82U193000458	5
Moncton (Codiac) - New Brunswick	L358	358-1	358-1	L82U093000001	L82U093000001	1
Moncton (Codiac) - New Brunswick	L361	361-1	361-1	L82U293000002	L82U293000002	1
Niagara Falls - Ontario	L499	2986	2989	L82U093000564	L82U693000567	4
Peterborough - Ontario	L490	—	—	L82UX93000345	L82U593000348	4
Regina - Saskatchewan	L356	629	629	L82U883000150	L82U883000150	1
Regina - Saskatchewan	L360	630	630	L82U283000290	L82U283000290	1
Regina - Saskatchewan	L476	625	628	L82U893000313	L82U393000316	4
Regina - Saskatchewan	L561	631	644	L82U8B4000003	L82UXB4000018	14
St. John's - Newfoundland	L503	1066	1066	L82U4A3000071	L82U4A3000071	1
Stratford - Ontario	L493	—	—	L82U2A3000019	L82U2A3000019	1
Strathcona County Transit - Alberta	L523	2010	2010	L82U693000603	L82U693000603	1
Sudbury - Ontario	L465	791	795	L82U593000317	L82U793000321	5
Sudbury - Ontario	L552	801	808	L82U3A3000238	L82U0A3000245	8
Thunder Bay - Ontario	L488	—	—	L82U193000332	L82U593000334	3
Timmins - Ontario	L475	—	—	L82U493000311	L82U693000312	2
Timmins - Ontario	L550	—	—	L82U8A3000171	L82UXA3000172	2
University of Alabama - Alabama	L479	479-1	479-1	L82U394000002	L82U394000002	1
University of Alabama - Alabama	L480	480-1	480-1	L82U594000003	L82U594000003	1
University of Alabama - Alabama	L573	—	—	L82U9A4000137	L82U0A4000138	2
Whitehorse - Yukon	L563	38	41	L82U3A3000255	L82U9A3000258	4
Woodstock - Ontario	L460	—	—	L82U693000309	L82U693000309	1
Woodstock - Ontario	L492	—	—	L82U4A3000040	L82U6A3000041	2

**WARNING**

Follow your internal safety procedures.

PROCEDURE

1.1. Raise the vehicle.

**CAUTION**

For more information on the raising and lowering of the vehicle, refer to section 18: HOISTING AND TOWING of the Nova LFS maintenance manual. Respect your current internal safety procedures. Use the proper hoisting equipment for your safety.

1.2. Locate the fuel tank. Lightly loosen, and leave in place, the four curbside mounting bolts. See Figure 1.

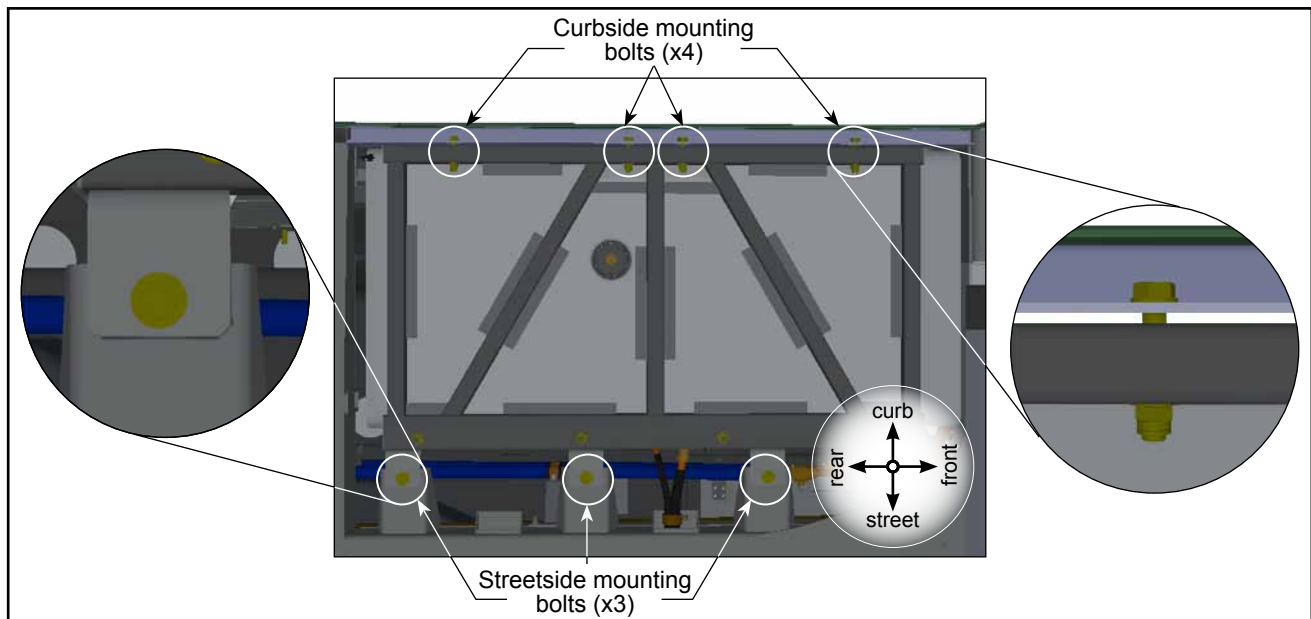


Figure 1 - Fuel Tank Mounting Hardware (As Seen From Below the Vehicle)

- 1.3. One at a time, remove the four bolts and insert a flat washer (N26738) between the fuel tank frame and the supporting structure. See Figure 2.

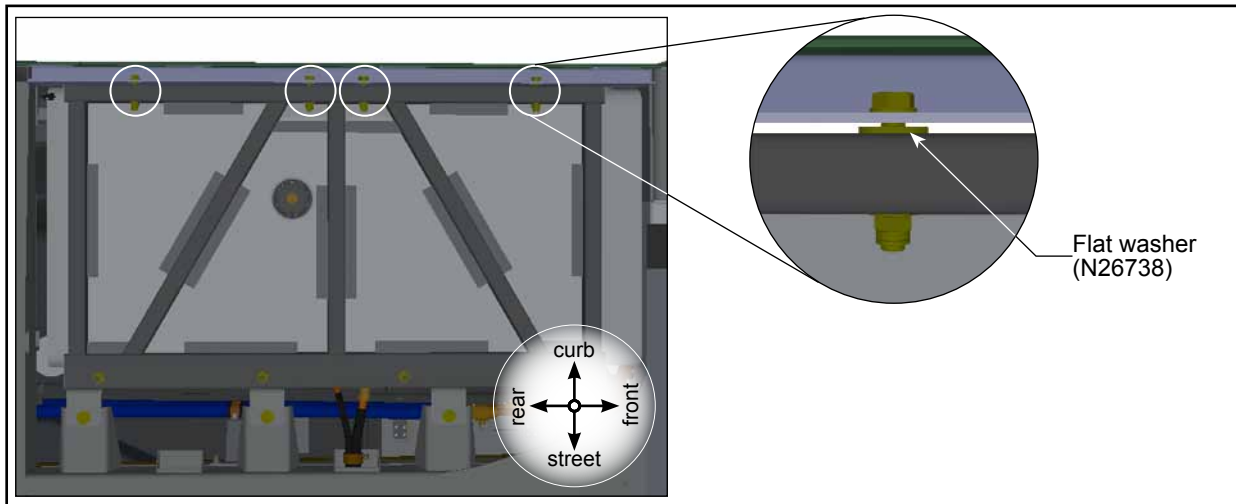


Figure 2 - Flat Washer (N26738)Installation

- 1.4. Tighten the four bolts fitted with a new washer according to the tightening torque and sequence indicated in Figure 3.

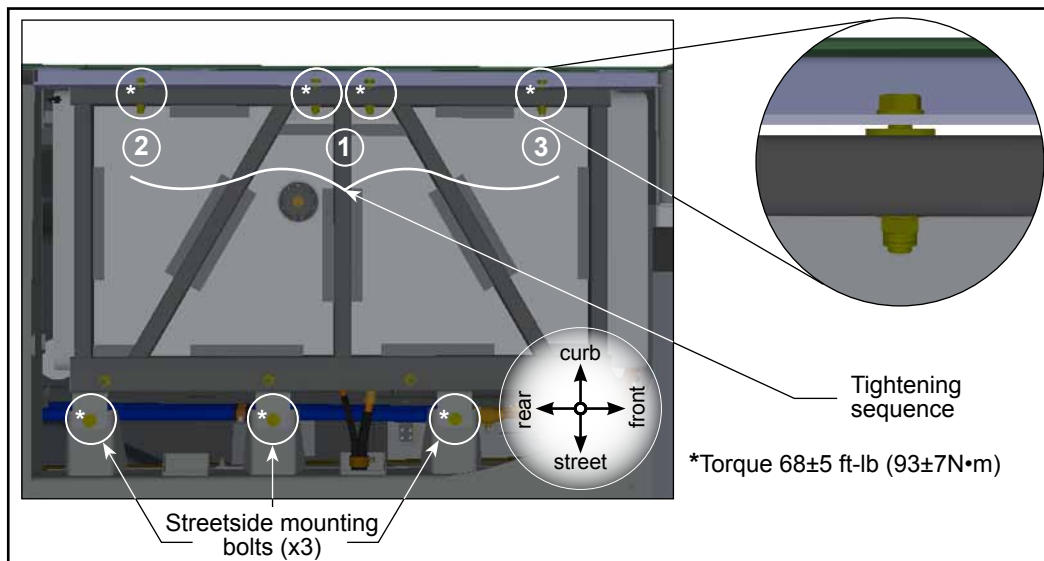


Figure 3 - Torque and Tightening Sequence

- 1.5. Tighten the three streetside bolts according to the torque indicated in Figure 3.
- 1.6. Lower the vehicle. ❖