

REFERENCE:	Nova Bus Manuals
SECTION:	08 Air supply system
RS N°:	MQR 7621-548
EFFECTIVE IN PROD.:	L692-40 (2013FE)

APPLICATION DEADLINE: 2014JL03

SUBJECT:	Air dryer drain hoses.
JUSTIFICATION:	Air dryer drain hoses detach from the tanks because hoses dry out out and retaining clamps loosen.

LEVEL	DESCRIPTION	DIRECT CHARGES		TIME
		LABOUR	MATERIAL	
1	Change the hoses, clamps and connectors.	Nova Bus	Nova Bus	45 min
2	–	–	–	–

MATERIAL

QTY	PART N°	REV.	DESCRIPTION	REPLACES PART N°
LEVEL 1				
8	N60419-01		Clamp	
4 lf	N73979		Hose	
2	N22781-02		11/16 to 1-1/4 Breeze clamp	
1	N72895-02		3/4 Tee blk nylon	
2	N72896-01		3/4 90° Elbow	
LEVEL 2				
–	–	–	–	–

Materials will be available within 42 days. To order, please contact Prevost Parts by phone at 1-800-771-6682, by fax at 1-888-668-2555 or by email at prevostparts.commandes@volvo.com. Specify document number, quantity of parts required and shipping address.

DISPOSAL OF PARTS

REMOVED PARTS ARE:	DISCARDED *	RETAINED	* Dispose of the unused parts and the defective parts in accordance with local environmental standards in effect.
	Yes	–	

REVISION HISTORY

REV.	DATE	CHANGE DESCRIPTION	WRITTEN BY
NR	2013JL02	Initial release	Wilder Galiano

CLIENT	ORDER	ROAD NUMBER		VIN (2NVY/4RKY...)		QTY
		FROM	TO	FROM	TO	
New York City Transit - New York	L536	1200	1201	S92U793000490	S92U993000491	2
New York City Transit - New York	L545	1202	1289	S92U5A4000001	S92U0A4000098	88
New York City Transit - New York	L608	8000	8014	L82U6B4000047	L82U0B4000061	15
New York City Transit - New York	L620	8015	8074	L82U2B4000062	L82U7B4000123	60
New York City Transit - New York	L621	8075	8089	L82U9B4000124	L82U9B4000138	15
New York City Transit - New York	L643	5895	5895	S92U1B4000143	S92U1B4000143	1
New York City Transit - New York	L670	5771	5894	S92U9B4000147	S92U8C4500060	124
New York City Transit - New York	L670	5770	5770	S92UXC4500061	S92UXC4500061	1
New York City Transit - New York	L681	5896	5986	S92U2C4500023	S92U9C4500164	91
New York City Transit - New York	L681	5253	5283	S92U0C4500165	S92U9C4500195	31
New York City Transit - New York	L692	5284	5323	S92U3C4500158	S92U4C4500234	40

**WARNING**

Follow your internal safety procedures.

PROCEDURE

- 1.1. Open the DEF reservoir access door and locate the air dryer. See Figure 1.

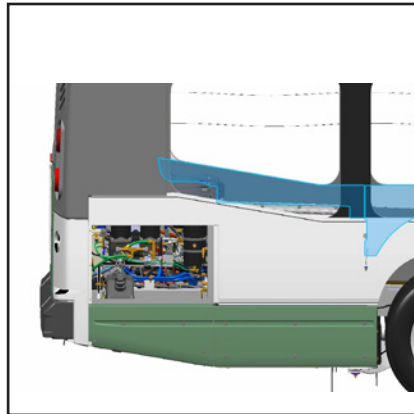


Figure 1 - DEF Reservoir Access Door

- 1.2. Remove all draining hoses between the air dryer and the muffler. Discard the entire hose assembly. See Figure 2.

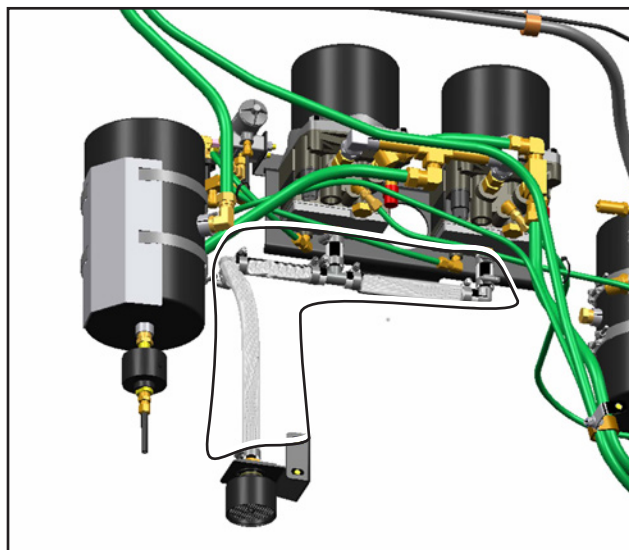


Figure 2 - Air Dryer Draining Hose Assembly

- 1.3. Cut N73979 replacement hose to the different required lengths. Use the discarded hoses as templates for the replacement hoses. See Figure 3.



Figure 3 - Hose Assembly

- 1.4. Assemble the hoses with N72896-01 elbows and N72895-02 tee with N60419-01 clamps. See Figure 4 for the corresponding torque. To facilitate the assembly, use a P-80 Redilube type lubricant or equivalent. See Figure 4.

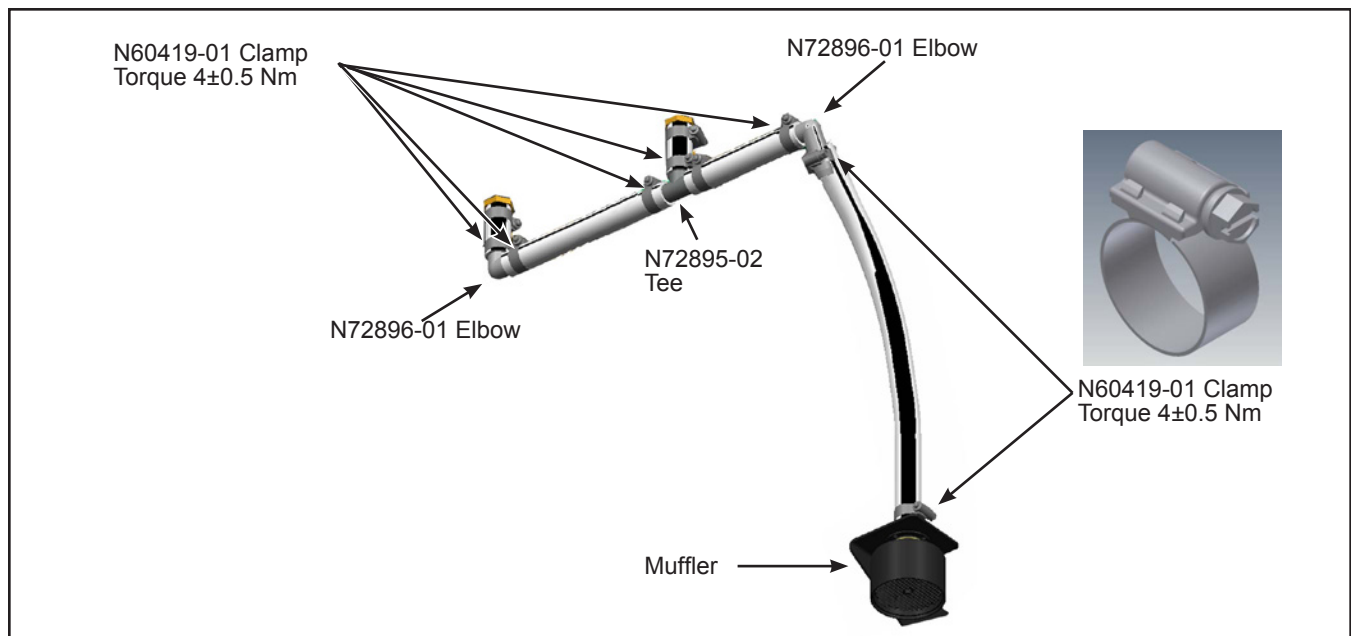


Figure 4 - Parts for the Hose Assembly

- 1.5. Affix the assembly to the air dryer with the two N22781-02 breeze clamps. See Figure 5 for the torque.

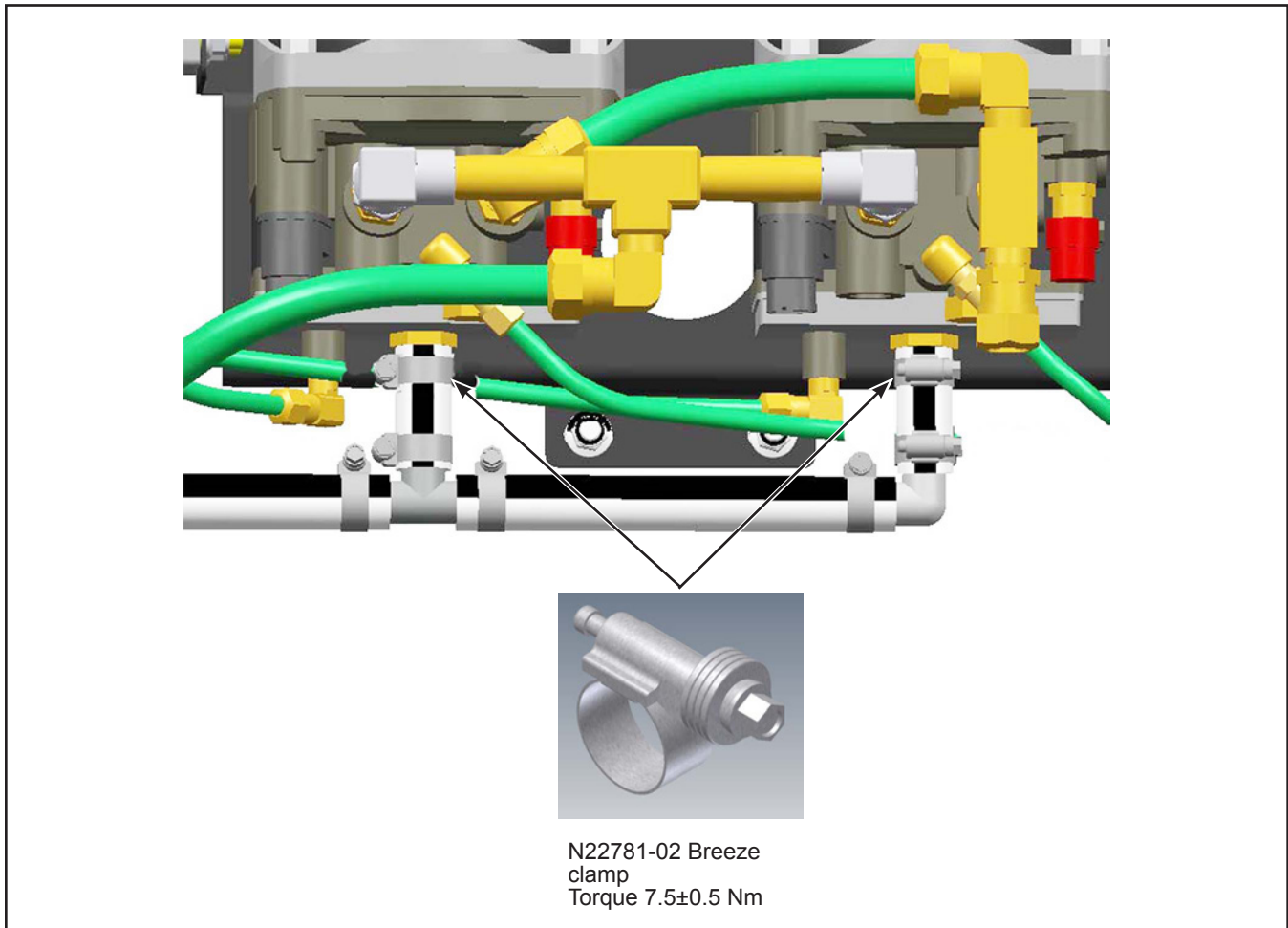


Figure 5 - Hose Assembly Affixed to the Air Dryer

- 1.6. Affix the assembly hoses to the muffler with a N60419-01 clamp. See Figure 4 for the torque.
1.7. Close the DEF reservoir access door.❖