



Service Bulletin

File in Section: -

Bulletin No.: PIC5813

Date: February, 2013

PRELIMINARY INFORMATION

Subject: Information For Repairing IP Fuse Blocks With Loose Or Bent Terminals

Models: 2012 - 2013 Chevrolet Sonic

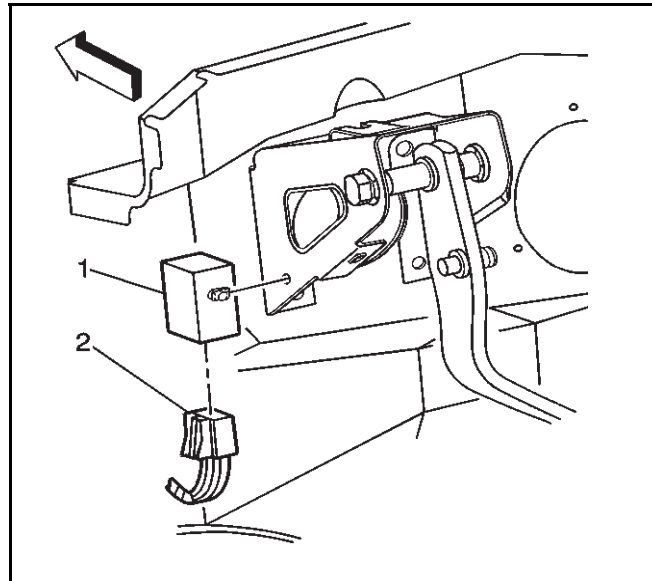
The following diagnosis might be helpful if the vehicle exhibits the symptom(s) described in this PI.

Condition/Concern

A technician may comment that they found loose terminals in the IP Fuse Block and is seeking direction since SI Indicates the terminals are not serviceable.

Recommendation/Instructions

The IP Junction Block uses 2 different types of terminals, as shown below:



328142

1. BUSS Bar-Type Terminal: can be repaired using a pic tool to reshape and bend the terminal back in place. Standard Terminal: can be replaced using a Terminal 2-964284-1 (see photo below) which can be found in both the J38125 Terminal Kit and the Lear Tray 25 Kit. If you are not able to locate the terminal in the Tray 25 Kit, your kit will need to be updated.



3284143

Warranty Information

For wiring repairs covered under warranty, please refer to latest version of bulletin 10-00-89-005 for warranty information on wire/connector repairs.

ADDITIONAL SI KEYWORDS:

dome ip ipc lamp light no power radio signal turn volt voltage

Please follow this diagnostic or repair process thoroughly and complete each step. If the condition exhibited is resolved without completing every step, the remaining steps do not need to be performed.