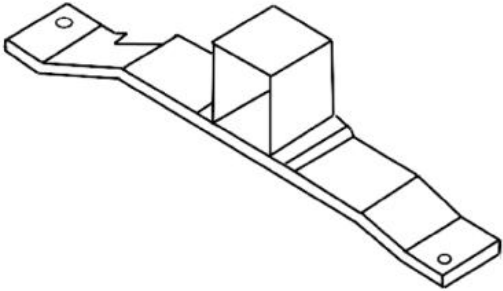

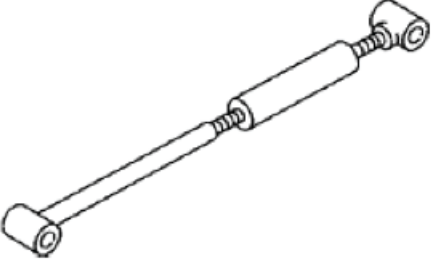





TO: All Subaru Dealers
FROM: Subaru of America, Inc.
Service Department
DATE: November 5, 2013
SUBJECT: Special Service Tools Shipment.

The following are the shipments of required tools for the upcoming Subaru Crosstrek Hybrid. These tools will be shipped directly to all dealers during November. Since the HEV technician protection kit is considered equipment rather than a special tool, it will be billed directly to a dealer's parts statement instead of through a parts order.

SOA321100 \$194.00 (plus taxes)

<u>Illustration</u>	<u>Tool Number</u>	<u>Description</u>
 A technical line drawing of a long, flat metal bracket with a rectangular block mounted on top. The bracket has a hole at each end.	41099AA011	Transmission, Powertrain Support.
 A technical line drawing of a long, thin metal pin with a threaded section at one end.	499267300	Alignment, Drift Pin.
 A technical line drawing of a long, thin metal rod with a threaded section at one end and a circular flange at the other.	41099AA020	Support, Powertrain

J-51311 \$509.53 (plus taxes)

<u>Illustration</u>	<u>Tool Number</u>	<u>Description</u>
	J-51311	HEV Technician Protection Kit.