

Tire Pressure Warning System Initialization

Service
Category General

Section Pre-Delivery Service

Market USA

Lexus Supports
ASE Certification 

Applicability

YEAR(S)	MODEL(S)	ADDITIONAL INFORMATION
2014	ES300H, ES350	

Introduction

2014 model year ES 350 and ES 300h vehicles are equipped with a direct-type Tire Pressure Warning System (TPWS). Each tire (except the spare tire) has a tire pressure warning valve/sensor that measures tire pressure data. The data is transmitted to the Tire Pressure Warning System antenna/receiver and then to the Tire Pressure Warning System ECU.

During Pre-Delivery Service (PDS), TPWS must be initialized according to the procedure in this bulletin.

Required Tools & Equipment

REQUIRED EQUIPMENT	SUPPLIER	PART NUMBER	QTY
Techstream 2.0*	ADE	TS2UNIT	1
TIS Techstream		TSPKG1	
Techstream Lite		TSLITEDLR01	

* Essential SST.

NOTE

- Only ONE of the Techstream units listed above is required.
- Software version 8.20.019 or later is required.
- Additional Techstream units may be ordered by calling Approved Dealer Equipment (ADE) at 1-800-368-6787.

Warranty Information

OP CODE	DESCRIPTION	TIME	OFF	T1	T2
N/A	Not Applicable to Warranty	—	—	—	—

Tire Pressure Warning System Initialization

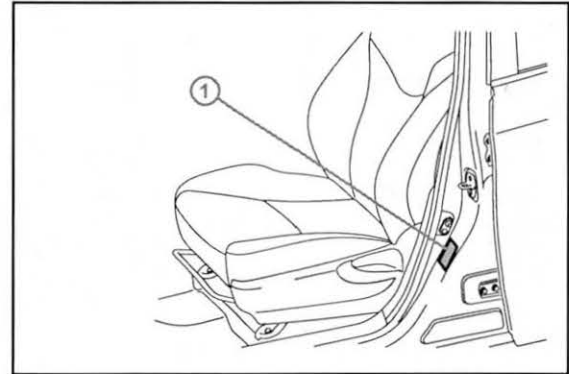
Initialization Procedure

1. Adjust all tires (except the spare tire) to the standard tire inflation pressure, as indicated on the Tire and Loading Information label located inside the vehicle.

NOTE

- To adjust tire pressure correctly when outside temperature is significantly colder than shop temperature, perform a Health Check using Techstream and select the "Compensation Tire Pressure" checkbox. Compensation pressures will be displayed on the health check results screen.
- Adjust the tire pressure when the tires are cold.

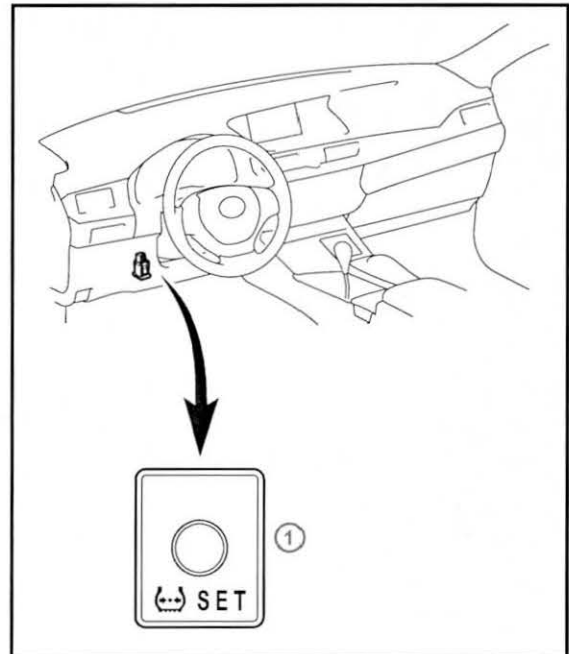
Figure 1.



1 | Tire and Loading Information Label

2. Cycle the ignition switch to the "IG-ON" position and press and hold the Tire Pressure Warning Reset Switch for at least 3 seconds so that the Tire Pressure Warning light blinks 3 times.

Figure 2.



1 | Tire Pressure Warning Reset Switch

Tire Pressure Warning System Initialization

Initialization Procedure (Continued)

3. Cycle the ignition switch to the "OFF" position and then to the "IG-ON" position.

NOTE

It is necessary for the ignition to be in the "IG-ON" mode **AT LEAST 5 minutes** for the initialization to complete correctly.

4. Check the tire pressure values of all the tires using Techstream.

NOTE

- It can take 2 – 3 minutes for the tire pressure values to be displayed on the Techstream Data List.
- If the tire pressure values **CANNOT** be displayed on the Techstream screen, the initialization is **NOT** completed. Repeat steps 2 – 4.