


# Removal of Wheel Opening Extension Pad Protective Covers

Service Category General

Section Pre-Delivery Service

Market USA

Lexus Supports ASE Certification 

## Applicability

YEAR(S)	MODEL(S)	ADDITIONAL INFORMATION
2014	LS460, LS600H	

## Introduction

Protective covers are installed on the front and rear wheel opening extension pads to prevent damage during transit. Use the following procedure to remove the protective covers during Pre-Delivery Service (PDS).

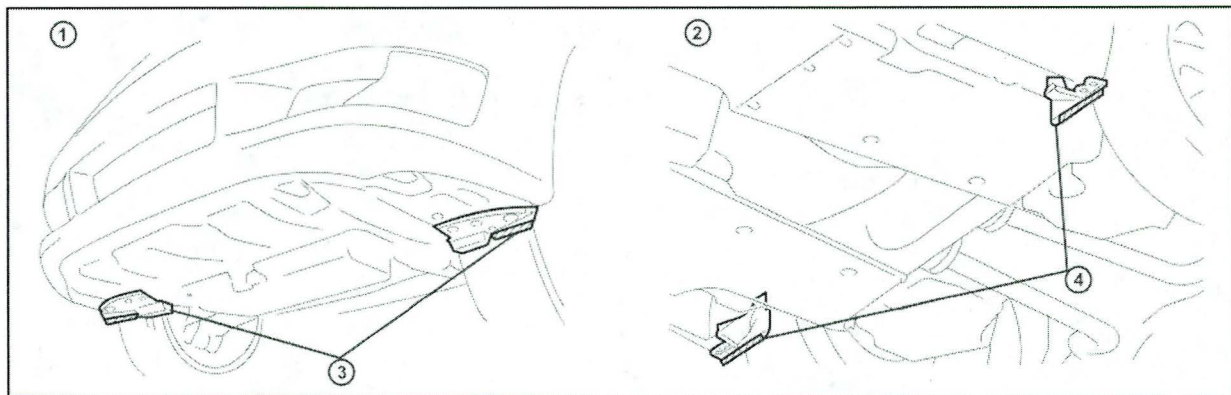
## Warranty Information

OP CODE	DESCRIPTION	TIME	OFF	T1	T2
N/A	Not Applicable to Warranty	-	-	-	-

## Removal Procedure

Remove the protective covers from the front and rear wheel opening extension pads by slowly pulling the cover from one side. Be sure to completely remove the covers and any tape residue.

Figure 1.



1	Front Side
2	Rear Side

3	Front Wheel Opening Extension Pad Protective Covers
4	Rear Wheel Opening Extension Pad Protective Covers