

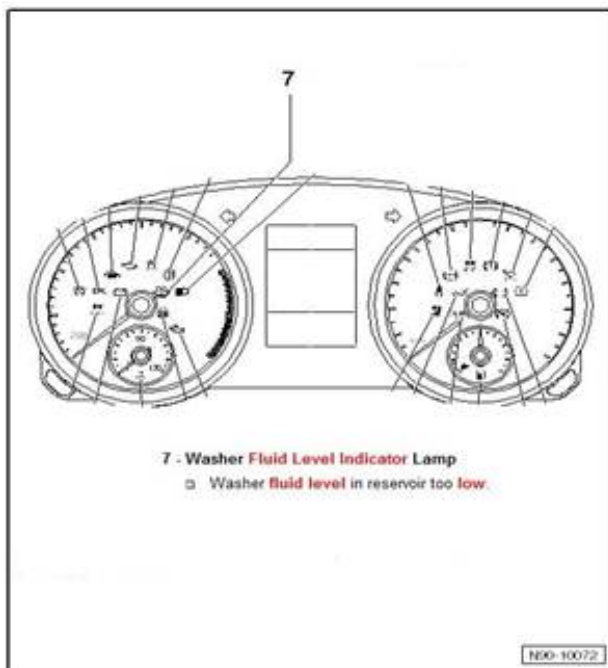
Technical Bulletin

Model(s)	Year	Eng. Code	Trans. Code	VIN Range From	VIN Range To
Jetta, Jetta SportWagen, Beetle Sedan	2013	All	All	All	All

Condition

92 12 05 December 17, 2012 2032040

Windshield Fluid Level Warning Indicator ON, fluid level in reservoir OK.



Windshield washer fluid level warning light ON, fluid level in reservoir OK.

Figure 1

Technical Background

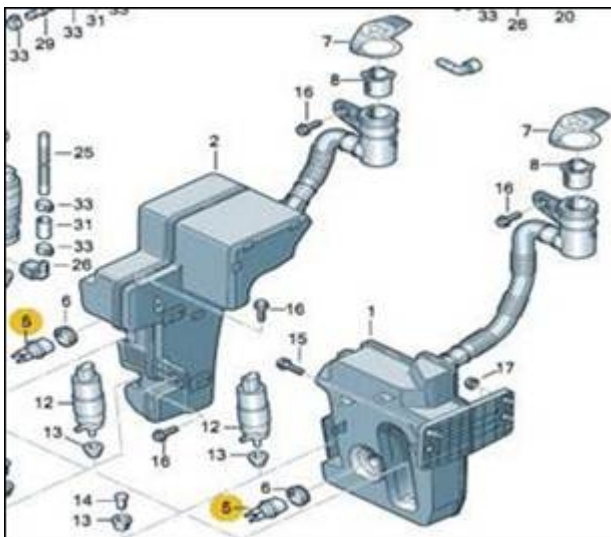
The washer fluid prefilled from factory may have high resistance and impair the conductivity through the washer fluid sensor in the vehicle.

Technical Bulletin

Production Solution

No production change at this time.

Service



- Remove wheel and wheel housing lining, see Repair manual.
- Check wiring harness and connector for washer fluid reservoir sensor (see figure 2, item 5).

Figure 2

- If wiring is ok and washer bottle is full, replace washer fluid.
- Validate low fluid level indicator lamp is off.



Technical Bulletin

Warranty

To determine if this procedure is covered under Warranty, always refer to the Warranty Policies and Procedures Manual ¹⁾					
Model(s)	Year(s)	Eng. Code(s)	Trans. Code(s)	VIN Range From	VIN Range To
Jetta, Jetta SportWagen, Beetle Sedan	2013	All	All	All	All
Claim Type:			Use applicable Claim Type ¹⁾		
SAGA Coding					
Service Number:	Damage Code	HST	Damage Location (Depends on Service No.)	Parts Manufacturer (removed part)	
9258	0015	-	Use applicable when indicated in ElsaWeb (L/R)	3ME ²⁾	
Labor Operation ³⁾ : Remove and Install Wheel			44051900 = 20 TU		
Labor Operation ³⁾ : Remove and Install Wheel Housing Lining			66161950 = 20 TU		
Labor Operation ³⁾ : Remove and Install Fluid level sensor			92585550 = 10 TU		
Causal Part: Select Labor Operation			92585550		
Diagnostic Time ⁴⁾					
GFF Time expenditure	01500000 = XX TU max.			NO	
Road Test	01210002 = 10 TU 01210004 = 10 TU			NO	
Technical Diagnosis	01320000 = XX TU max.			NO	
Claim Comment: Input "As per Technical Bulletin 2032040" in comment section of Warranty Claim.					



Technical Bulletin

- 1) Vehicle may be outside any Warranty in which case this Technical Bulletin is informational only
- 2) Code per warranty vendor code policy.
- 3) Labor Time Units (TUs) are subject to change with Elsa updates.
- 4) Documentation required per Warranty Policy & Procedures Manual.

Required Parts and Tools

Part Description	Part No:	Quantity
Washer Fluid	G 052164M1	1

No Special Tools required.

Additional Information

All part and service references provided in this Technical Bulletin are subject to change and/or removal. Always check with your Parts Dept. and Repair Manuals for the latest information.