



Technical Bulletin

Model(s)	Year	Eng. Code	Trans. Code	VIN Range From	VIN Range To
Golf, GTI, Jetta SportWagen	2010 - 2013	All	All	All	All
Jetta Sedan	2011 - 2013	All	All	All	All

Condition

69 12 02 October 2, 2012 2029767 Supersedes T.B. V691201 dated June 21, 2012 to include additional model year.

Airbag Warning Lamp Illuminated in Instrument Cluster, DTC B101614 Stored in Airbag Control Module

Technical Background

Airbag lamp in instrument cluster may illuminate due to unfastened connector for passenger airbag warning lamp.



Note:

Symptom as described will not affect airbag functionality.

Production Solution

Information only.

Service

Procedure

- Verify airbag indicator lamp in instrument cluster is ON.
- Using GFF, scan vehicle for DTCs.
- Verify DTC B101614 is stored in airbag module.

Fault Code	Description
B101614	Front passenger airbag disabled indicator lamp interruption/short - circuit to ground



Note:

If any other faults are present in airbag module, further diagnosis is required.

Technical Bulletin



If DTC is present, clear fault memory and recheck for code.

- If fault clears, and the airbag indicator in the instrument cluster does not illuminate, no repairs necessary.
- If DTC reoccurs, remove center console cover using wedge tool 3409, inspect wiring connections to "PASSENGER AIR BAG WARNING LAMP" (see figures 3 and 4), for loose connection.
- Secure wiring connections as necessary.
- If connection is secure, further diagnosis is needed. This technical bulletin does not apply.
- Clear DTCs again and retest operation to verify airbag lamp is OFF in instrument cluster.

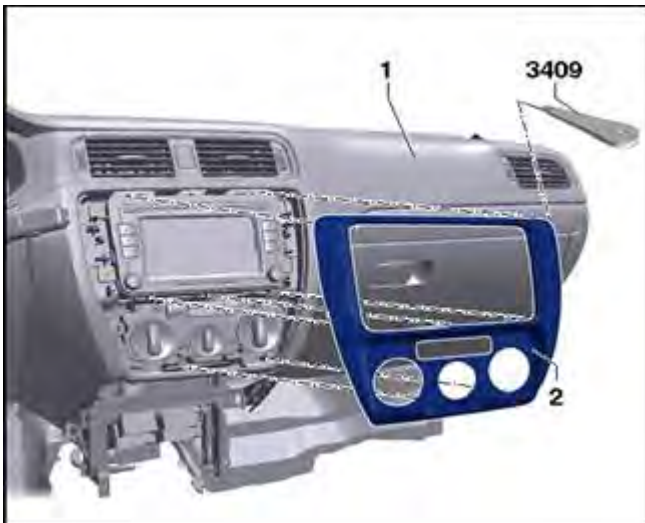


Figure 1 No - Climatronic



Figure 2 Climatronic



Figure 3



Figure 4

Technical Bulletin



Warranty

To determine if this procedure is covered under Warranty, always refer to the Warranty Policies and Procedures Manual ¹⁾					
Model(s)	Year(s)	Eng. Code(s)	Trans. Code(s)	VIN Range From	VIN Range To
Golf, GTI, Jetta SportWagen	2010 - 2013	All	All	All	All
Jetta Sedan	2011 - 2013	All	All	All	All
SAGA Coding					
Claim Type:			Use applicable Claim Type ¹⁾		
Service Number:	Damage Code	HST	Damage Location (Depends on Service No.)		
6982	0015	--	Use applicable when indicated in ElsaWeb (L/R)		
Parts Manufacturer	Golf, GTI		WVO ²⁾		
	Jetta Sedan, Jetta SportWagen		3ME ²⁾		
Labor Operation ³⁾ : Remove and Install Center console trim, reconnect passenger airbag warning lamp harness connector.			69824199 = 20 TU (loose connection found)		
Causal Part: Select labor operation			69824199		
Diagnostic Time ⁴⁾					
GFF Time expenditure	01500000 = 20 TU max.		YES		
Road Test	01210002 01210004		NO		
Technical Diagnosis	0132xxxx = 00 TU max.		NO		
Claim Comment: Input "As per Technical Bulletin 2029767" in comment section of Warranty Claim.					
¹⁾ Vehicle may be outside any Warranty in which case this Technical Bulletin is informational only ²⁾ Code per warranty vendor code policy. ³⁾ Labor Time Units (TUs) are subject to change with ELSA updates. ⁴⁾ Documentation required per Warranty Policy Procedures Manual.					

Technical Bulletin



Required Parts and Tools

No special parts required.

Tool Description	Tool No:
Wedge Tool	3409
Midtronics Battery Tester/Charger	InCharge 940 (INC-940)
VAS Diagnostic Tool	VAS-PC, 5051B, 5052A, 6150X (Base CD V19.01.00 and Brand DVD V19.18.00 or higher)

Additional Information

All part and service references provided in this Technical Bulletin are subject to change and/or removal. Always check with your Parts Dept. and Repair Manuals for the latest information.