



Service Bulletin

File in Section: -

Bulletin No.: PI0785A

Date: August, 2012

PRELIMINARY INFORMATION

Subject: DTC C027B, Low Brake Pedal Feel After Master Cylinder Repairs

Models: 2009-2013 Buick Enclave
2010-2012 Buick LaCrosse
2011-2013 Buick Regal
2012-2013 Buick Verano
2009-2013 Cadillac CTS, SRX
2013 Cadillac ATS, XTS
2009-2012 Chevrolet Colorado
2009-2013 Chevrolet Corvette, Impala, Malibu, Traverse
2010-2013 Chevrolet Camaro, Equinox
2011-2013 Chevrolet Cruze
2012 Chevrolet Captiva Sport
2012-2013 Chevrolet Sonic
2013 Chevrolet Spark
2009-2012 GMC Canyon
2009-2013 GMC Acadia
2010-2013 GMC Terrain

This PI is being revised to correct the Warranty Information. Please discard PI0785.

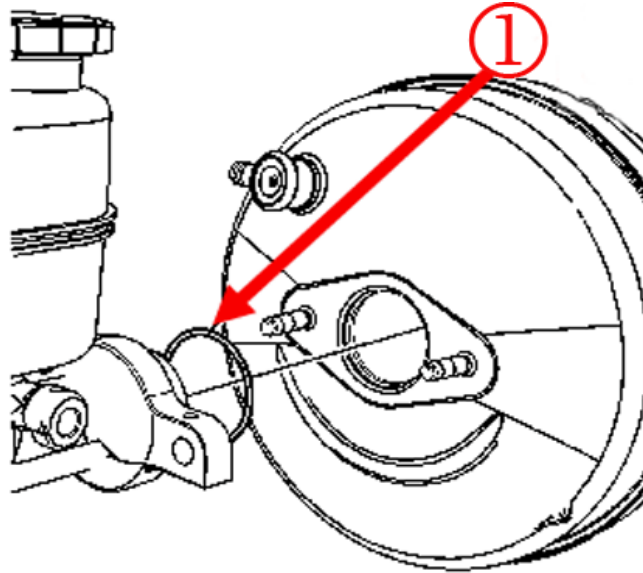
The following diagnosis might be helpful if the vehicle exhibits the symptom(s) described in this PI.

Condition/Concern

Some customers may comment on a low brake pedal during brake pedal apply. During diagnosis, a DTC C027B may be found stored in the EBCM. This concern may have started after the master cylinder was unbolted from the brake booster for any reason.

This may be caused by a small vacuum leak between the master cylinder and the brake booster. There is an O-ring between the master cylinder and the brake booster that may have fallen off during the prior repairs.

Recommendation/Instructions



2515865

Inspect for the O-ring (1) between the master cylinder and the brake booster before performing any other diagnostics for the low brake pedal or the DTC C027B. Replace the O-ring if missing or damaged.

Tip: Exhaust the booster vacuum by either pumping the brake pedal or pulling the check valve out prior to removing the master cylinder. The suction may be helping to dislodge the O-ring when pulling the master cylinder out.

Please follow this diagnostic or repair process thoroughly and complete each step. If the condition exhibited is resolved without completing every step, the remaining steps do not need to be performed.

Part information

Refer to the Parts Catalog for the appropriate part number and availability.

Warranty Information

For vehicles repaired under warranty, use:

Labor Operation	Description	Labor Time
H9767*	Replacing the Brake Master Cylinder O-ring Seal	0.3 hr
H0640**	Master Cylinder Replacement	Use Published Labor Operation Time

*This is a unique labor operation for bulletin use only. It will not be published in the Labor Time Guide.

** Vehicles that come without O-ring seal separate from master cylinder.