

T-SB-0095-12

June 29, 2012

## 3rd Row Manual Seatback Lock Position Inoperative

Service Category Vehicle Interior

Section Seat

Market USA

Toyota Supports ASE Certification 

### Applicability

YEAR(S)	MODEL(S)	ADDITIONAL INFORMATION
2011	Sienna	

### Introduction

Some 2011 Sienna vehicles may exhibit a condition where the 3rd row manual seatback will not lock into place when moving the seat from the stowed position to the upright position.

### Production Change Information

This bulletin applies to vehicles produced **BEFORE** the Production Change Effective VINs shown below.

MODEL	DRIVETRAIN	PRODUCTION CHANGE EFFECTIVE VIN
Sienna	4 Cyl 2WD	5TDKA3DC#BS007707
	6 Cyl 2WD	5TD#K3DC#BS139781
	6 Cyl AWD	5TD#K3DC#BS023135

### Warranty Information

OP CODE	DESCRIPTION	TIME	OFF	T1	T2
BD1221	R & R Seatback Assembly	2.0	79203-08041 (RH) 79204-08040 (LH)	9C	83
Combo A	Opposite Side	1.6			

#### APPLICABLE WARRANTY

- This repair is covered under the Toyota Comprehensive Warranty. This warranty is in effect for 36 months or 36,000 miles, whichever occurs first, from the vehicle's in-service date.
- Warranty application is limited to occurrence of the specified condition described in this bulletin.

## 3rd Row Manual Seatback Lock Position Inoperative

### Parts Information

PREVIOUS PART NUMBER	CURRENT PART NUMBER	PART NAME	QTY
79203-08041	Same	Seat Back RH	1
79204-08040	Same	Seat Back LH	1
90468-18008	Same	Hog Ring Retainers	38

### Required Tools & Equipment

SPECIAL SERVICE TOOLS (SST)	PART NUMBER	QTY
Plastic Pry Tool Set*	<u>00002-06000-01</u>	1

\* Essential SST.

<p><b>NOTE</b>  <b>Additional SSTs may be ordered by calling 1-800-933-8335.</b></p>
--

REQUIRED MATERIAL	QUANTITY
Hog Ring Pliers	1

### Repair Procedure

#### Repair Procedure Overview

The following repair procedure consists of removal of the 3rd row seat assemblies from the vehicle, disassembly of the seat to replace the seatback, and reassembly.

#### Removal

1. Cycle the seat assembly from the stowed position to the upright position and confirm the seatback assembly will not lock into place.

If the condition is not present STOP — This bulletin does not apply.

2. Remove the seat assembly following the Repair Manual.

Refer to the Technical Information System (TIS), applicable model and model year Repair Manual:

- 2011 Sienna:  
*Vehicle Interior – Seat – “Seat: Rear No. 2 Seat Assembly (for Manual Seat Type LH Side) / (for Manual Seat Type RH Side): Removal”*

3. Follow the procedures below to disassemble the seat and remove and replace the seatback assembly.



### 3rd Row Manual Seatback Lock Position Inoperative

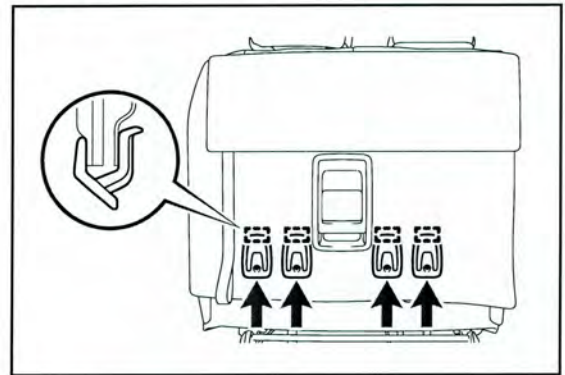
Repair Procedure (Continued)

Disassembly: LH Side

**CAUTION**  
**Wear protective gloves. Sharp areas on the parts may injure your hands.**

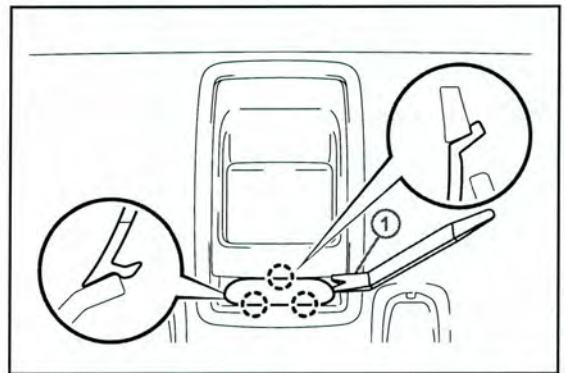
1. Place the seatback in the upright position prior to disassembly. If seatback will not lock into place, some steps will require another person to hold the seatback upright in order to properly disassemble.
2. Remove the rear No. 2 seat cover bezel.
  - A. Remove the 4 screws.
  - B. Disengage the 4 guides and remove the 4 rear No. 2 seat cover bezels.

Figure 1.



3. Using a plastic pry tool, disengage the 3 claws and remove the rear seatback lock striker cover.

Figure 2.



1	Pry Tool
---	----------

## 3rd Row Manual Seatback Lock Position Inoperative

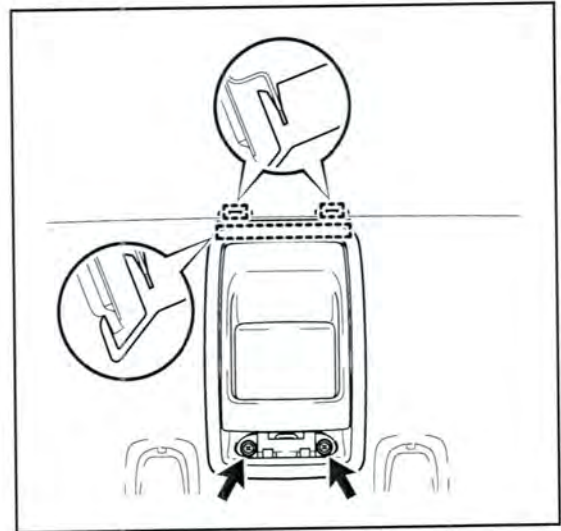
### Repair Procedure

#### Disassembly: LH Side (Continued)

4. Remove the third seat handle.

A. Remove the 2 screws.

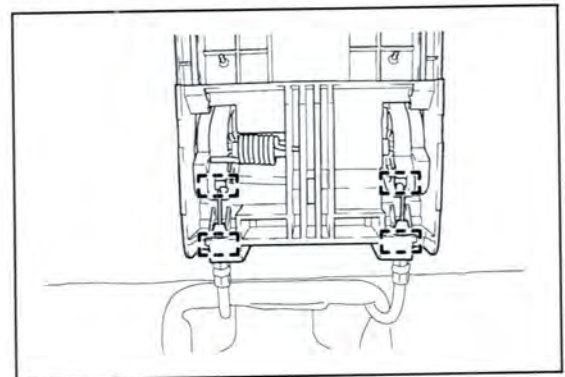
Figure 3.



B. Disengage the 3 guides and separate the third seat handle.

C. Disconnect the 4 cable clamps and remove the third seat handle.

Figure 4.



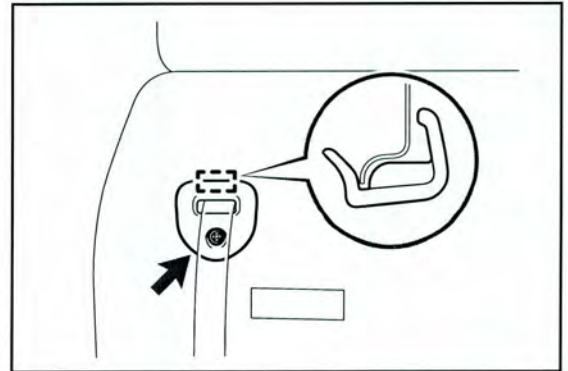
### 3rd Row Manual Seatback Lock Position Inoperative

#### Repair Procedure

##### Disassembly: LH Side (Continued)

5. Remove the rear seatback lock control bezel.
  - A. Remove the screw.
  - B. Disengage the guide and remove the rear seatback lock control bezel.

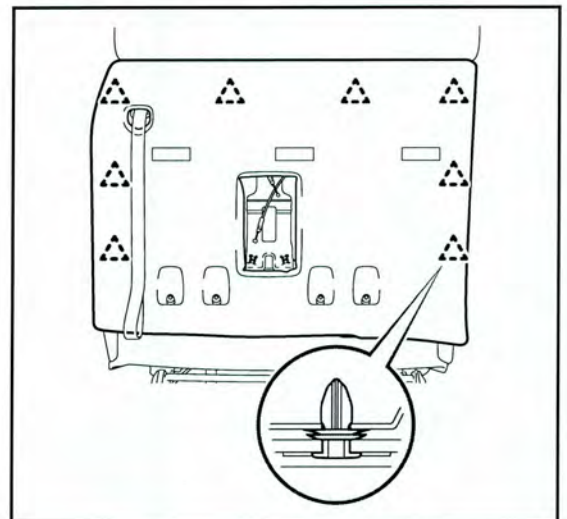
Figure 5.



6. Remove the rear No. 2 seat reclining cover LH.

- A. Disengage the 8 clips and remove the rear seatback board cover LH.

Figure 6.





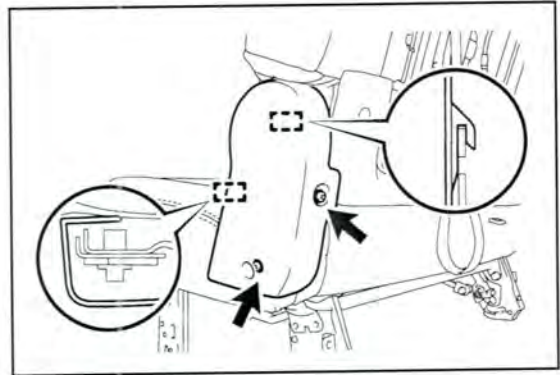
### 3rd Row Manual Seatback Lock Position Inoperative

#### Repair Procedure

#### Disassembly: LH Side (Continued)

- B. Remove the 2 screws.

Figure 7.

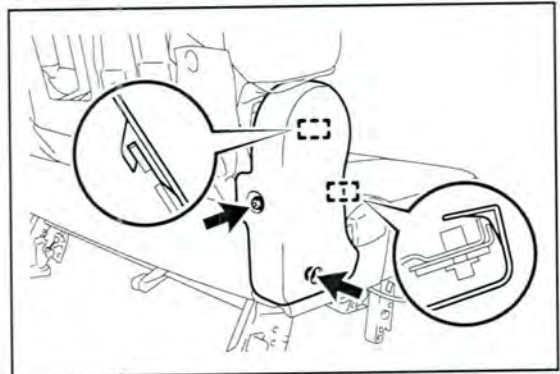


- C. Disengage the 2 guides and remove the rear No. 2 seat reclining cover LH.

- 7. Remove the rear No. 2 seat reclining cover RH.

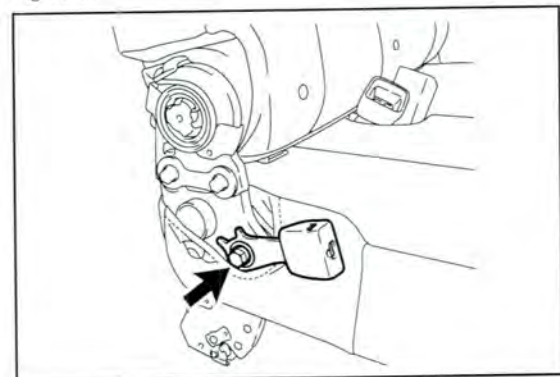
Figure 8.

- A. Remove the 2 screws.
- B. Disengage the 2 guides and remove the rear No. 2 seat reclining cover RH.



- 8. Remove the bolt and the left hand rear No. 2 seat center lap belt assembly.

Figure 9.



## 3rd Row Manual Seatback Lock Position Inoperative

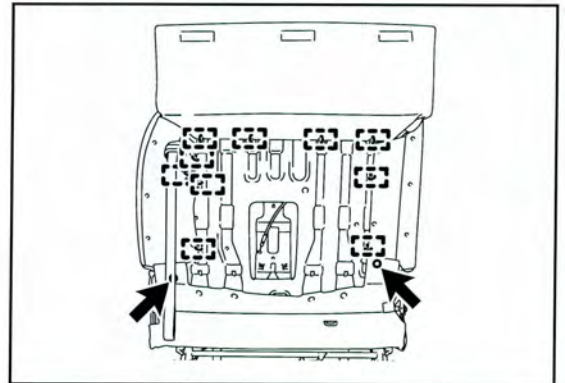
---

### Repair Procedure

#### Disassembly: LH Side (Continued)

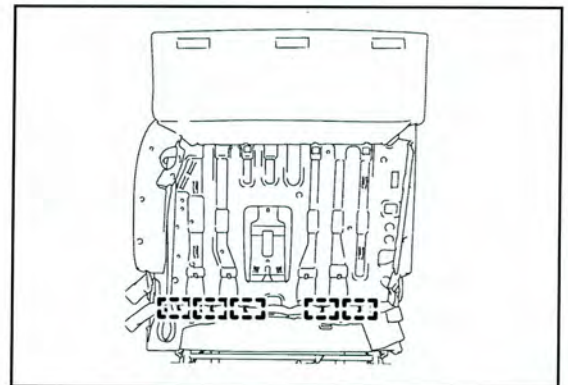
9. Remove the rear center seat headrest assembly.
10. Remove the No. 2 seat headrest assembly.
  - A. Remove the 10 hog rings and 2 clips.

Figure 10.



- B. Remove the 5 hog rings.

Figure 11.



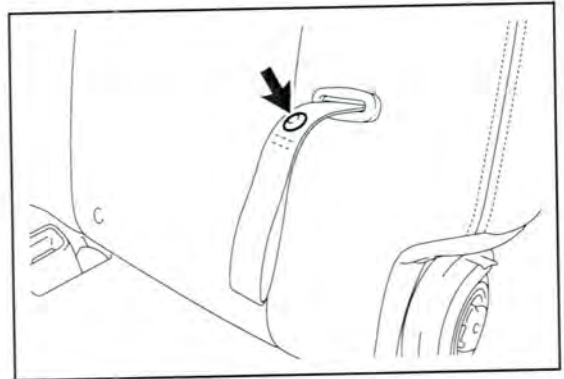
## 3rd Row Manual Seatback Lock Position Inoperative

### Repair Procedure

#### Disassembly: LH Side (Continued)

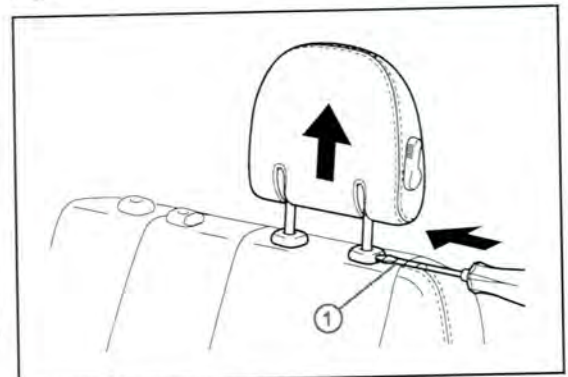
- C. Remove the clip and pass the No. 2 seat reclining release handle sub-assembly through the No. 2 seatback cover with pad LH.

Figure 12.



- D. Using a screwdriver with its tip wrapped in protective tape, release the lock inside the headrest support and remove the No. 2 seat headrest assembly.

Figure 13.



**HINT**

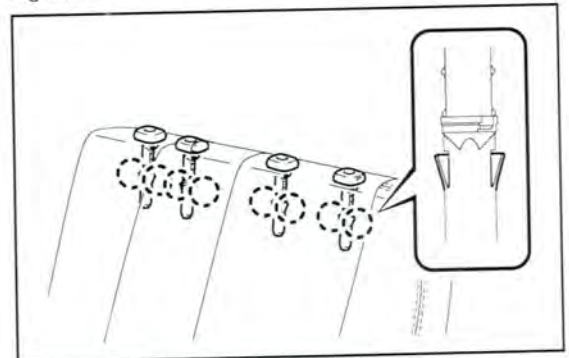
When removing the headrest, turn back the No. 2 seatback cover with pad LH and make sure the cable attached to the headrest assembly does not catch on anything inside the No. 2 seatback frame sub-assembly LH.

1 Protective Tape

11. Remove the rear No. 2 seat headrest support assembly.

Disengage the 8 claws and remove the 4 rear No. 2 seat headrest support assemblies.

Figure 14.





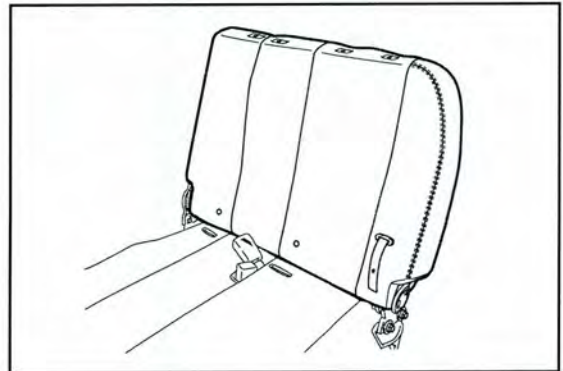
### 3rd Row Manual Seatback Lock Position Inoperative

#### Repair Procedure

##### Disassembly: LH Side (Continued)

12. Remove the No. 2 seatback cover with pad LH.

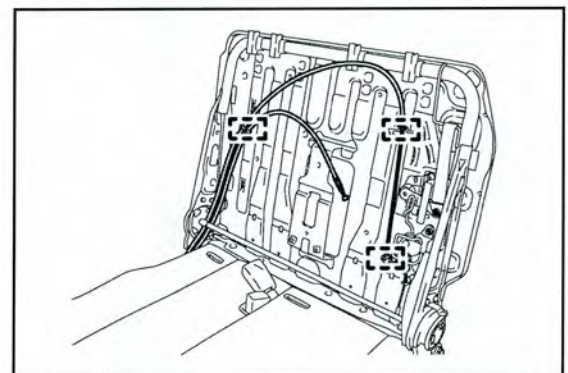
Figure 15.



13. Remove the No. 2 seatback frame sub-assembly LH.

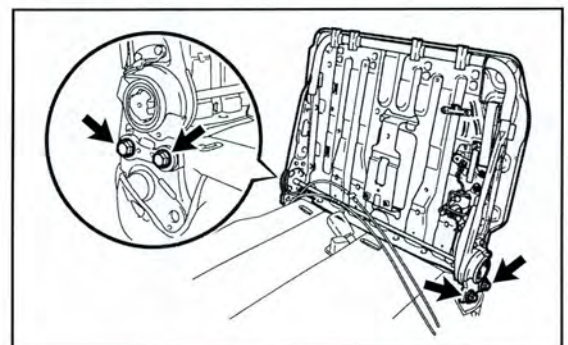
A. Disconnect the 3 cable clamps and separate the 2 reclining remote control cable assemblies.

Figure 16.



B. Remove the 4 bolts and No. 2 seatback frame sub-assembly LH.

Figure 17.



## 3rd Row Manual Seatback Lock Position Inoperative

---

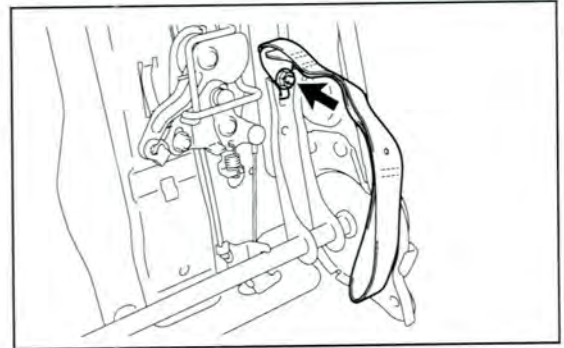
### Repair Procedure

#### Disassembly: LH Side (Continued)

14. Remove the No. 2 seat reclining release handle sub-assembly.

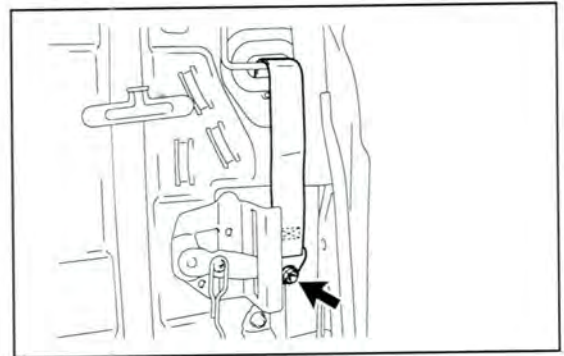
Remove the nut, No. 2 seat reclining release handle sub-assembly, and reclining bolt lock plate.

Figure 18.



15. Remove the nut and No. 1 reclining release handle sub-assembly.

Figure 19.



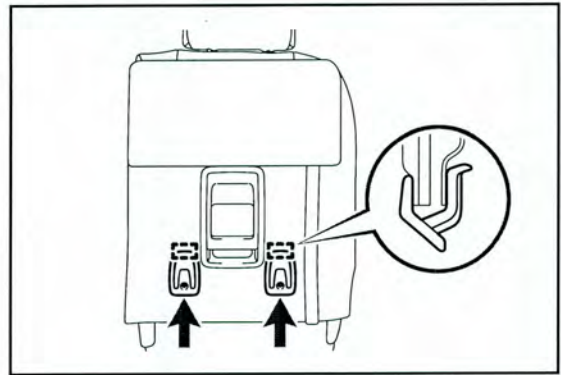
### 3rd Row Manual Seatback Lock Position Inoperative

Repair Procedure (Continued)

**Disassembly: RH Side**

1. Place the seatback in the upright position prior to disassembly. If seatback will not lock into place, some steps will require another person to hold the seatback upright in order to properly disassemble.
2. Remove the rear No. 2 seat cover bezel.
  - A. Remove the 2 screws.
  - B. Disengage the 2 guides and remove the 2 rear No. 2 seat cover bezels.

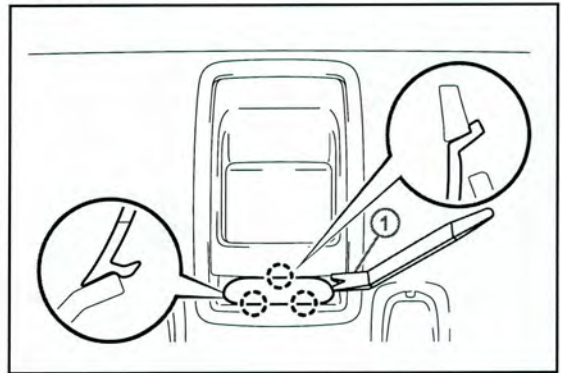
Figure 20.



3. Remove the rear seatback lock striker cover.
 

Using a plastic pry tool, disengage the 3 claws and remove the rear seatback lock striker cover.

Figure 21.



1	Pry Tool
---	----------



### 3rd Row Manual Seatback Lock Position Inoperative

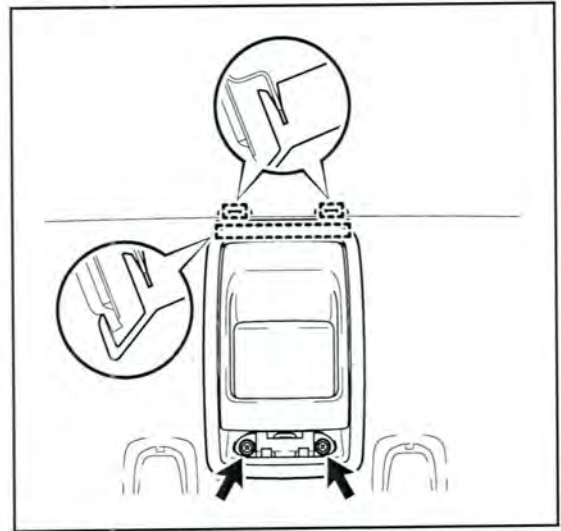
Repair Procedure

Disassembly: RH Side (Continued)

4. Remove the third seat handle.

A. Remove the 2 screws.

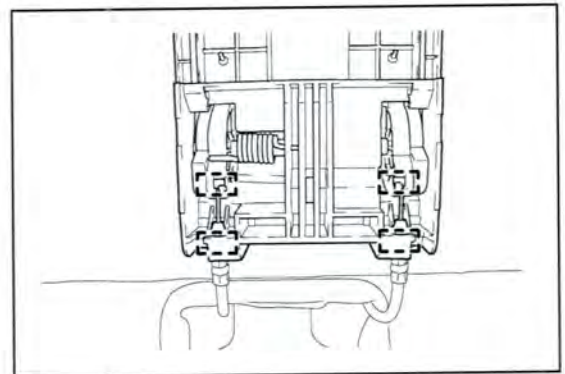
Figure 22.



B. Disengage the 3 guides and separate the third seat handle.

C. Disconnect the 4 cable clamps and remove the third seat handle.

Figure 23.



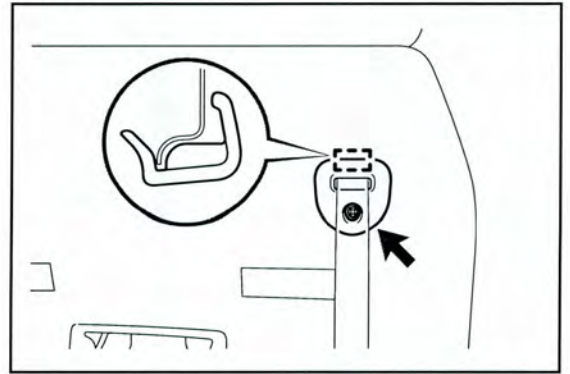
### 3rd Row Manual Seatback Lock Position Inoperative

#### Repair Procedure

##### Disassembly: RH Side (Continued)

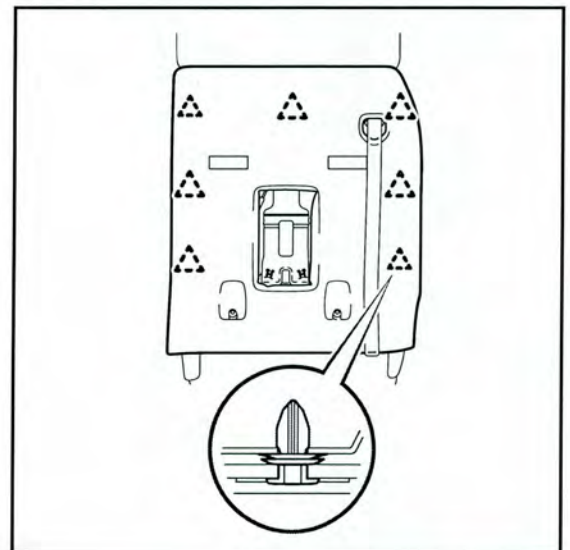
5. Remove the rear seatback lock control bezel.
  - A. Remove the screw.
  - B. Disengage the guide and remove the rear seatback lock control bezel.

Figure 24.



6. Remove the rear No. 2 seat reclining cover LH.
  - A. Disengage the 7 clips and remove the rear seatback board cover RH.

Figure 25.



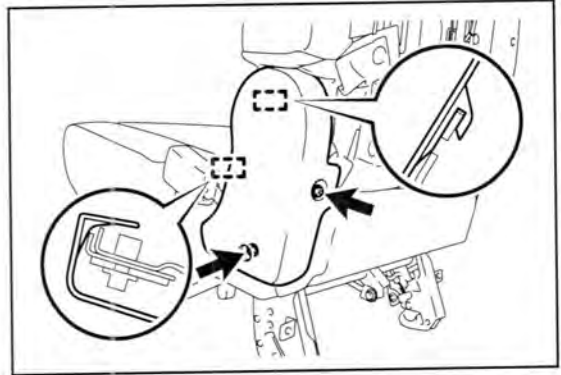
### 3rd Row Manual Seatback Lock Position Inoperative

Repair Procedure

Disassembly: RH Side (Continued)

- B. Remove the 2 screws.

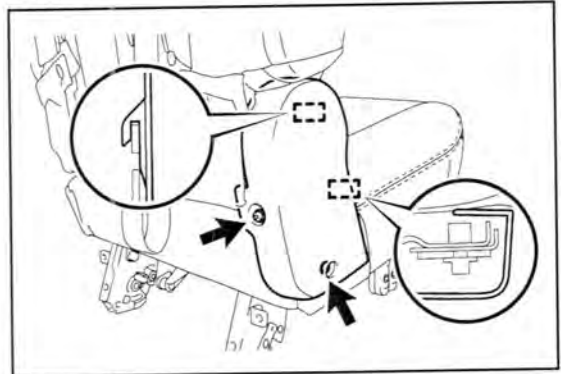
Figure 26.



- C. Disengage the 2 guides and remove the rear No. 2 seat reclining cover LH.
7. Remove the rear No. 2 seat reclining cover RH.

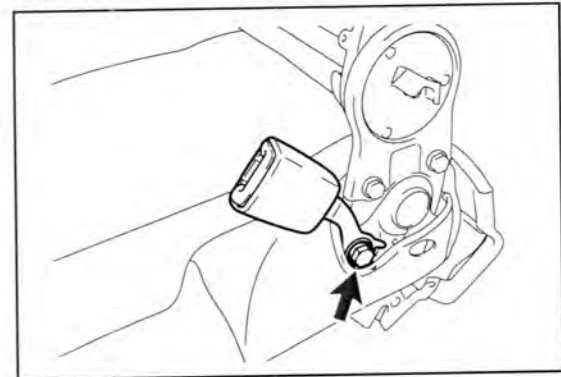
Figure 27.

- A. Remove the 2 screws.
- B. Disengage the 2 guides and remove the rear No. 2 seat reclining cover RH.



8. Remove the bolt and the rear No. 2 seat inner belt assembly RH.

Figure 28.





## 3rd Row Manual Seatback Lock Position Inoperative

---

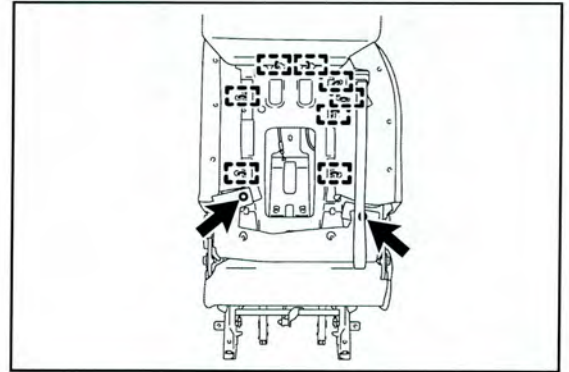
### Repair Procedure

#### Disassembly: RH Side (Continued)

9. Remove the No. 2 seat headrest assembly.

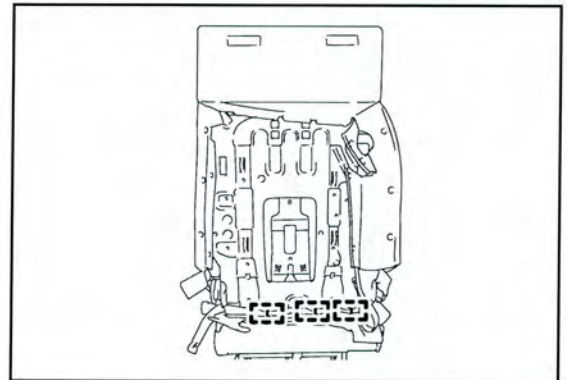
A. Remove the 8 hog rings and 2 clips.

Figure 29.



B. Remove the 3 hog rings.

Figure 30.



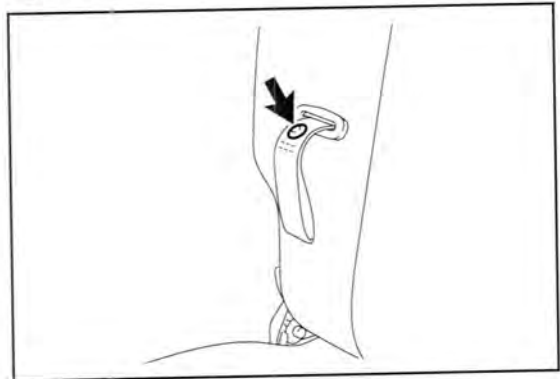
### 3rd Row Manual Seatback Lock Position Inoperative

Repair Procedure

Disassembly: RH Side (Continued)

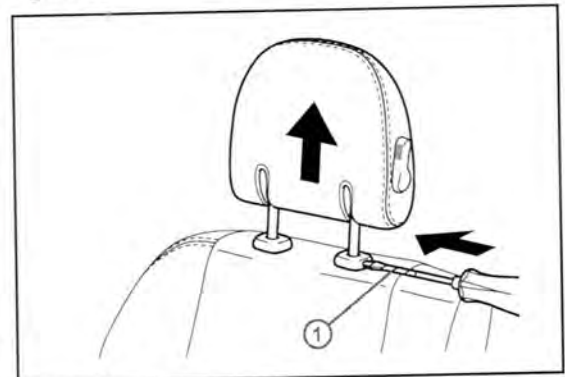
- C. Remove the clip and pass the No. 2 seat reclining release handle sub-assembly through the No. 2 seatback cover with pad RH.

Figure 31.



- D. Using a screwdriver with its tip wrapped in protective tape, release the lock inside the headrest support and remove the No. 2 seat headrest assembly.

Figure 32.



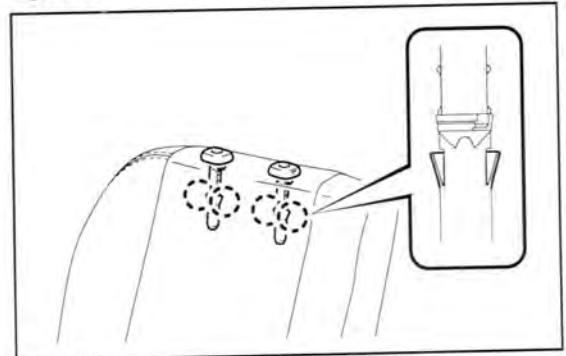
**HINT**  
 When removing the headrest, turn back the No. 2 seatback cover with pad RH and make sure the cable attached to the headrest assembly does not catch on anything inside the No. 2 seatback frame sub-assembly RH.

1 Protective Tape

- 10. Remove the rear No. 2 seat headrest support assembly.

Disengage the 4 claws and remove the 2 rear No. 2 seat headrest support assemblies.

Figure 33.



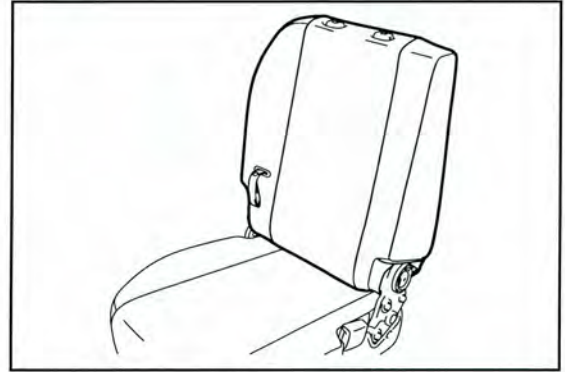
### 3rd Row Manual Seatback Lock Position Inoperative

#### Repair Procedure

##### Disassembly: RH Side (Continued)

11. Remove the No. 2 seatback cover with pad RH.

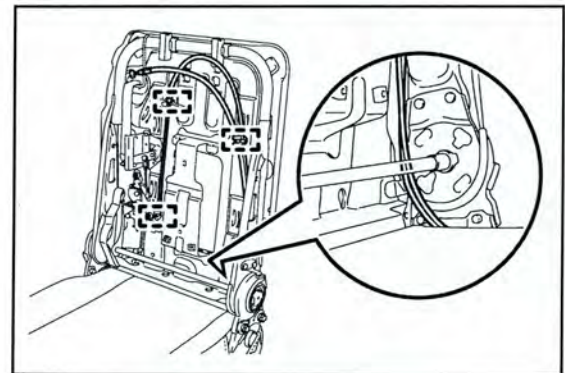
Figure 34.



12. Remove the No. 2 seatback frame sub-assembly RH.

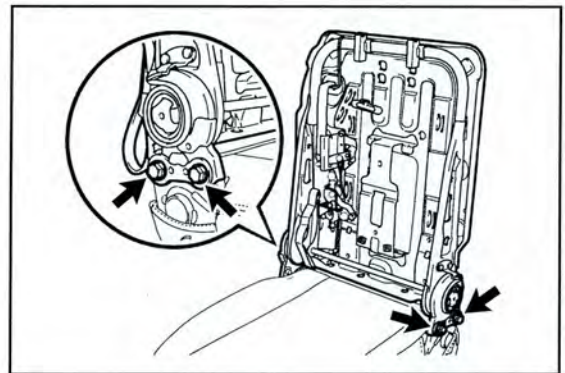
A. Disconnect the 3 cable clamps and separate the 2 reclining remote control cable assemblies.

Figure 35.



B. Remove the 4 bolts and No. 2 seatback frame sub-assembly RH.

Figure 36.





### 3rd Row Manual Seatback Lock Position Inoperative

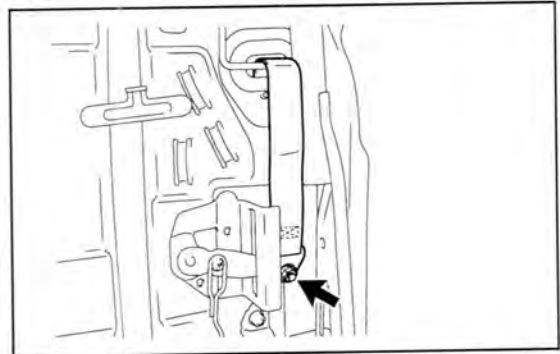
Repair Procedure (Continued)

Reassembly: LH Side

1. Install the No. 1 reclining release handle sub-assembly with the nut.

Torque: 5.5 N\*m (56 kgf\*cm, 49 in\*lbf)

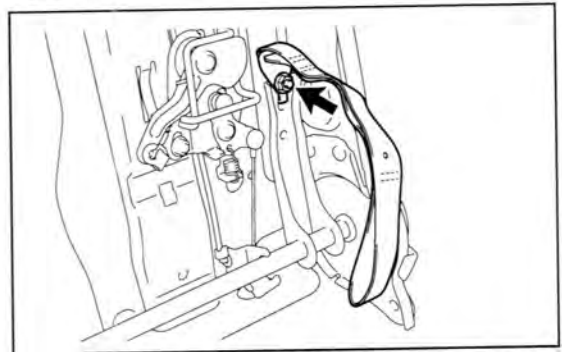
Figure 37.



2. Install the No. 2 seat reclining release handle sub-assembly and reclining bolt lock plate with the nut.

Torque: 5.5 N\*m (56 kgf\*cm, 49 in\*lbf)

Figure 38.

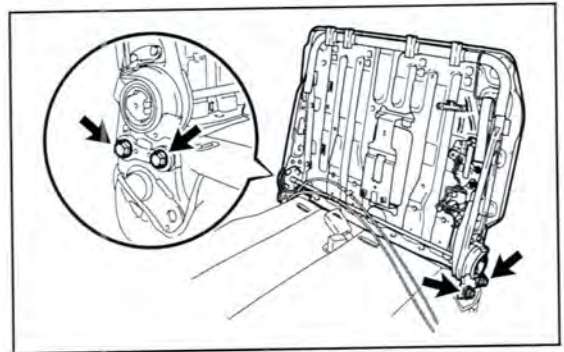


3. Install the No. 2 seatback frame sub-assembly LH.

- A. Install the No. 2 seatback frame sub-assembly LH with the 4 bolts.

Torque: 44 N\*m (449 kgf\*cm, 32 ft\*lbf)

Figure 39.



## 3rd Row Manual Seatback Lock Position Inoperative

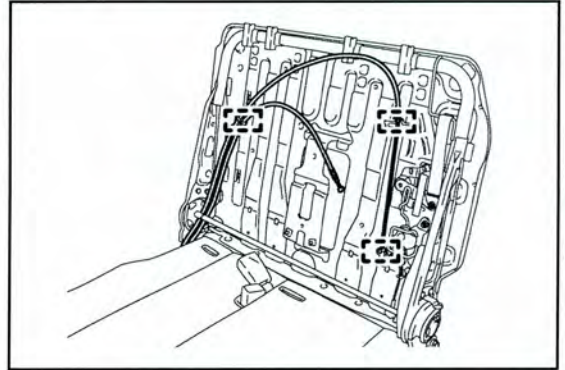
---

### Repair Procedure

#### Reassembly: LH Side (Continued)

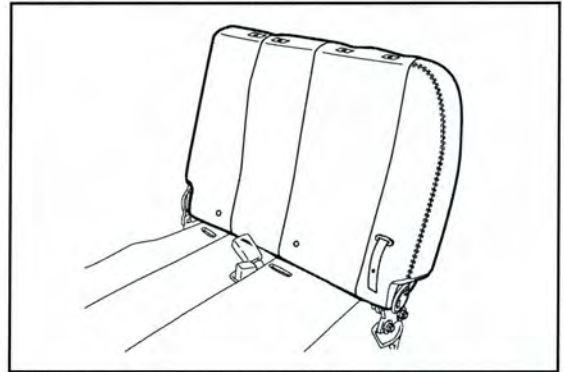
- B. Connect the 3 cable clamps and install the 2 reclining remote control cable assemblies as shown in the illustration.

Figure 40.



4. Install the No. 2 seatback cover with pad LH.

Figure 41.



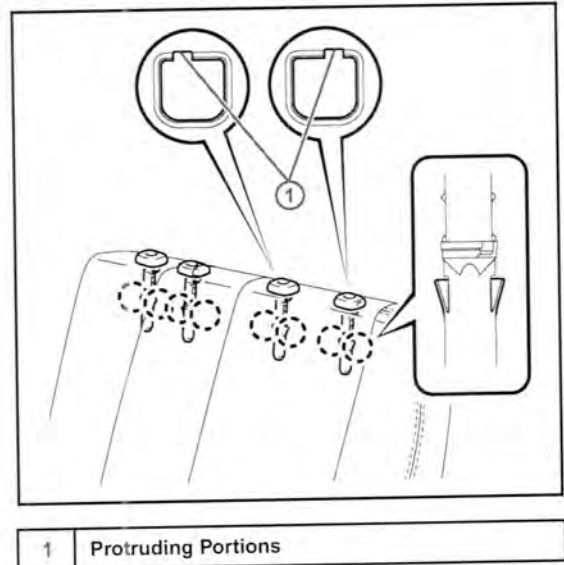
## 3rd Row Manual Seatback Lock Position Inoperative

### Repair Procedure

#### Reassembly: LH Side (Continued)

5. Install the rear No. 2 seat headrest support assembly.
  - A. Align the protruding portion of the rear No. 2 seat headrest support assemblies with the installation grooves of the rear No. 2 seatback frame sub-assembly LH.
  - B. Engage the 8 claws and install the 4 rear No. 2 seat headrest support assemblies.

Figure 42.





### 3rd Row Manual Seatback Lock Position Inoperative

#### Repair Procedure

#### Reassembly: LH Side (Continued)

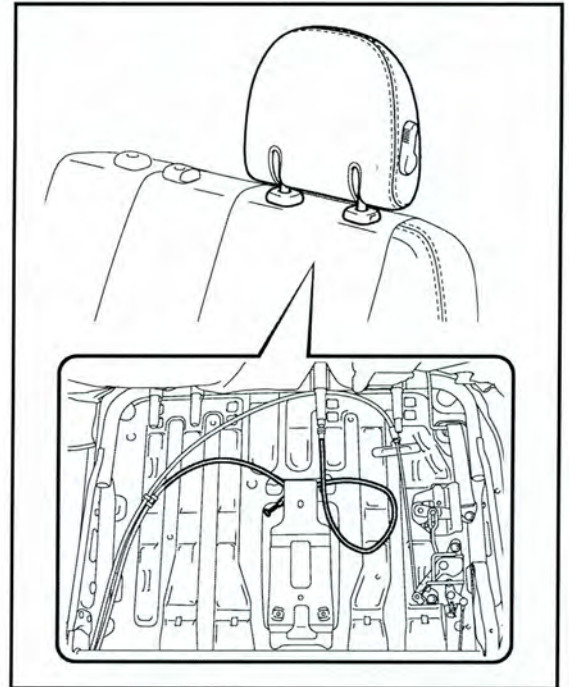
6. Install the No. 2 seat headrest assembly.

A. Install the No. 2 seat headrest assembly.

**HINT**

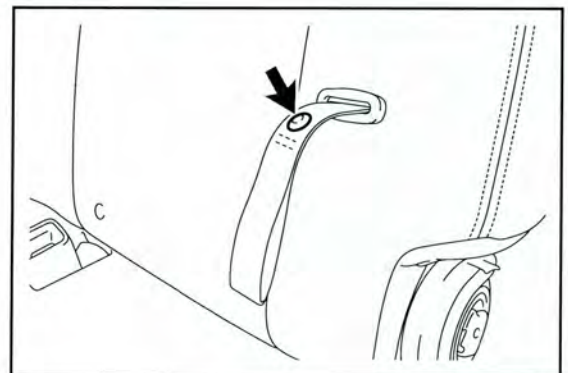
Turn back the No. 2 seatback cover with pad LH and set the cable as shown in the illustration, then pass the end of the cable through the opening for the third seat handle.

Figure 43.



B. Pull the reclining release handle sub-assembly through the No. 2 seatback cover with pad LH, and install the clip.

Figure 44.



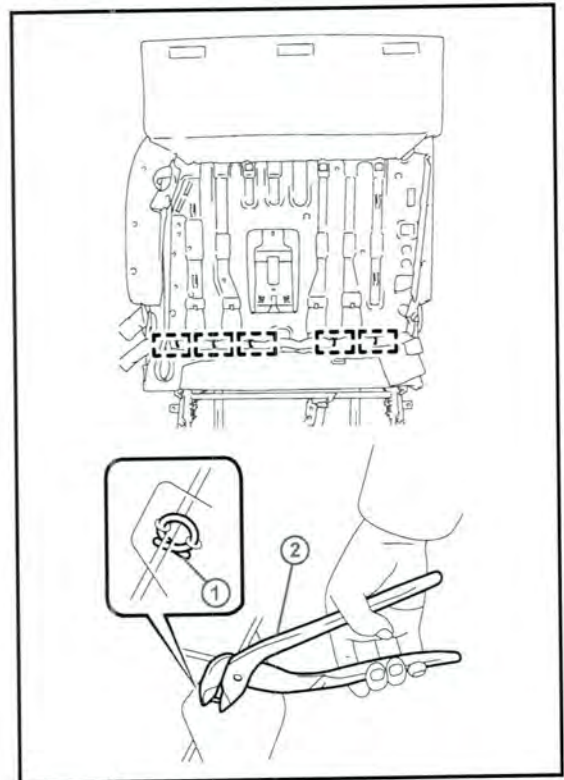
### 3rd Row Manual Seatback Lock Position Inoperative

Repair Procedure

Reassembly: LH Side (Continued)

- C. Using hog ring pliers, install the No. 2 seatback cover sub-assembly LH to the No. 2 seatback frame sub-assembly LH with 5 new hog rings.

Figure 45.



1	New Hog Ring
2	Hog Ring Pliers

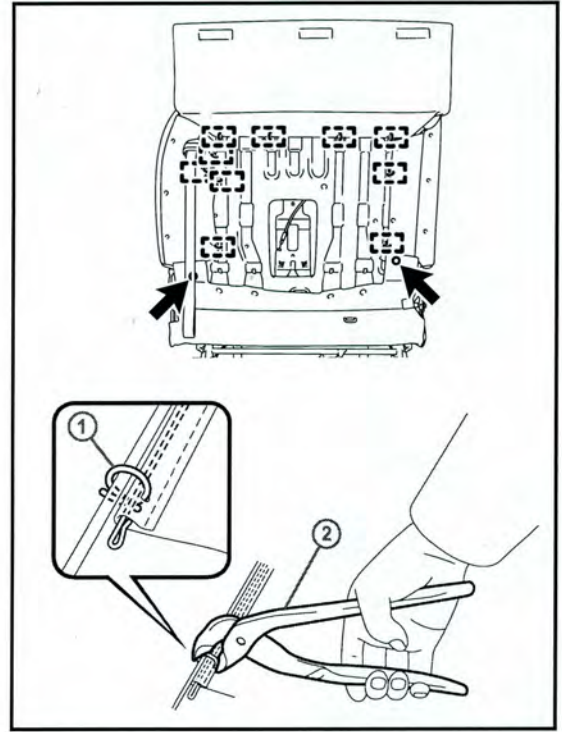
### 3rd Row Manual Seatback Lock Position Inoperative

**Repair Procedure**

**Reassembly: LH Side (Continued)**

- D. Using hog ring pliers, install the No. 2 seatback cover sub-assembly LH to the No. 2 seatback frame sub-assembly LH with 10 new hog rings.

Figure 46.



1	New Hog Ring
2	Hog Ring Pliers

- E. Install the 2 clips.
- 7. Install the rear center seat headrest assembly.
- 8. Install the left hand rear No. 2 seat center lap belt assembly.

Install the rear No. 2 seat lap belt with the bolt.

**Torque: 42 N\*m (428 kgf\*cm, 31 ft\*lbf)**



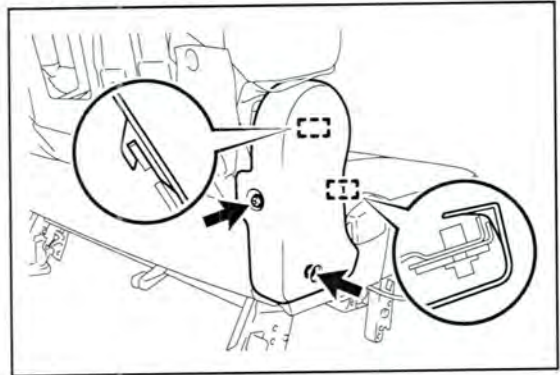
### 3rd Row Manual Seatback Lock Position Inoperative

#### Repair Procedure

##### Reassembly: LH Side (Continued)

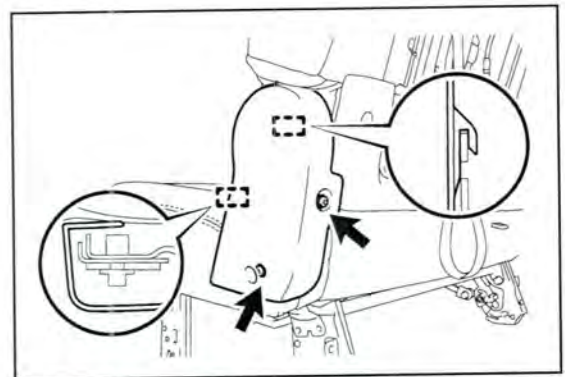
9. Install the rear No. 2 seat reclining cover RH.
  - A. Engage the 2 guides.
  - B. Install the rear No. 2 seat reclining cover RH with the 2 screws.

Figure 47.



10. Install the rear No. 2 seat reclining cover LH.
  - A. Engage the 2 guides.
  - B. Install the rear No. 2 seat reclining cover LH with the 2 screws.

Figure 48.

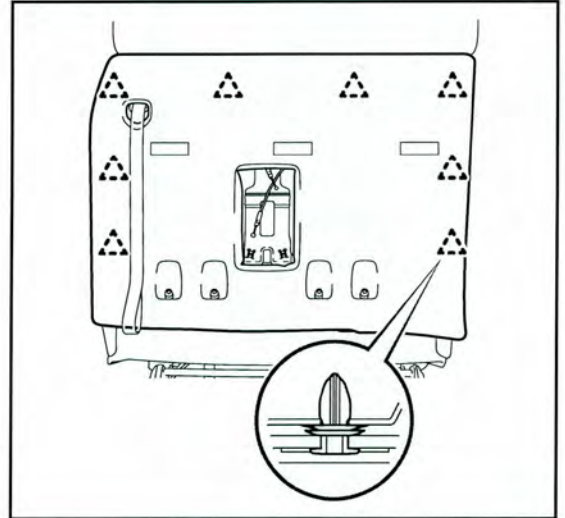


### 3rd Row Manual Seatback Lock Position Inoperative

#### Repair Procedure

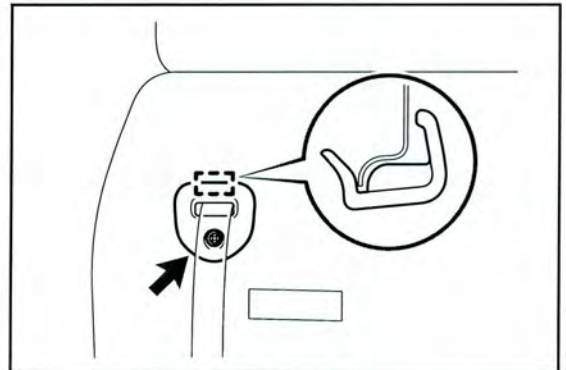
#### Reassembly: LH Side (Continued)

- C. Engage the 8 clips and install the rear seatback board cover LH. Figure 49.



11. Install the rear seatback lock control bezel.
- A. Engage the guide.
  - B. Install the rear seatback lock control bezel with the screw.

Figure 50.



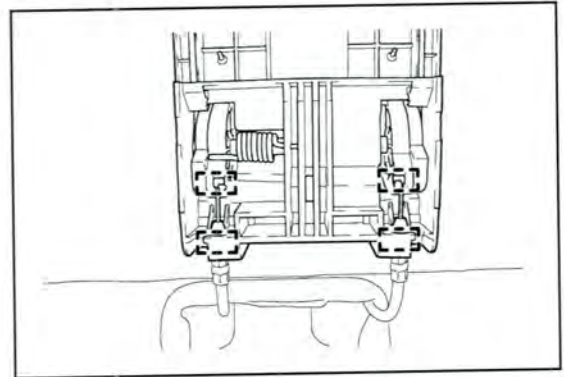
### 3rd Row Manual Seatback Lock Position Inoperative

Repair Procedure

Reassembly: LH Side (Continued)

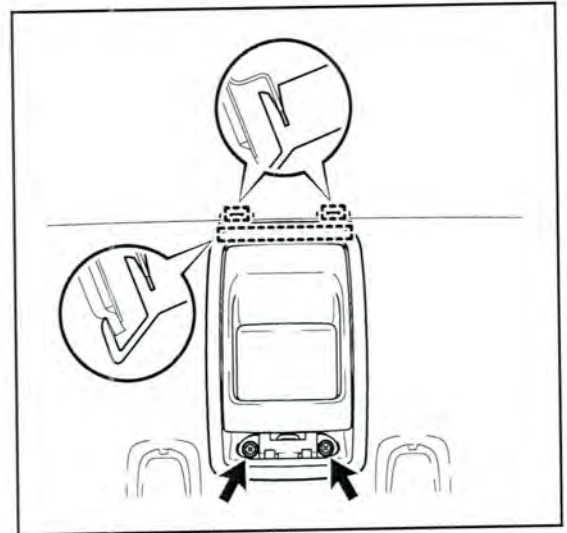
12. Install the third seat handle.
  - A. Connect the 4 cable clamps.

Figure 51.



- B. Engage the 3 guides and install the third seat handle with the 2 screws.

Figure 52.





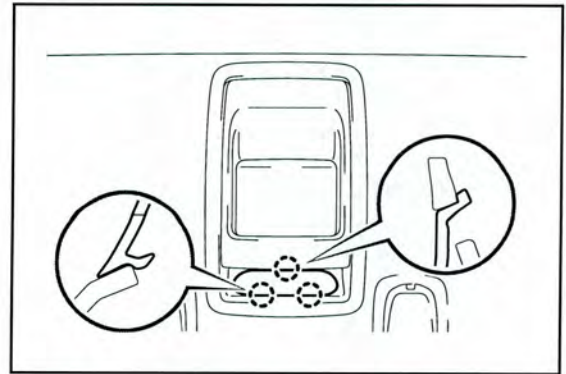
### 3rd Row Manual Seatback Lock Position Inoperative

#### Repair Procedure

##### Reassembly: LH Side (Continued)

13. Engage the 3 claws and install the rear seatback striker cover.

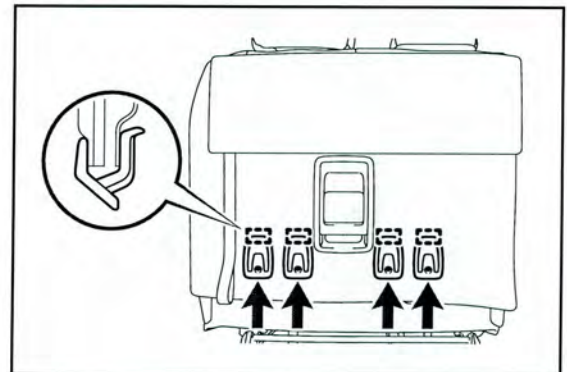
Figure 53.



14. Install the rear No. 2 seat cover bezel.

- A. Engage the 4 guides.
- B. Install the 4 rear No. 2 seat cover bezels with the 4 screws.

Figure 54.



### 3rd Row Manual Seatback Lock Position Inoperative

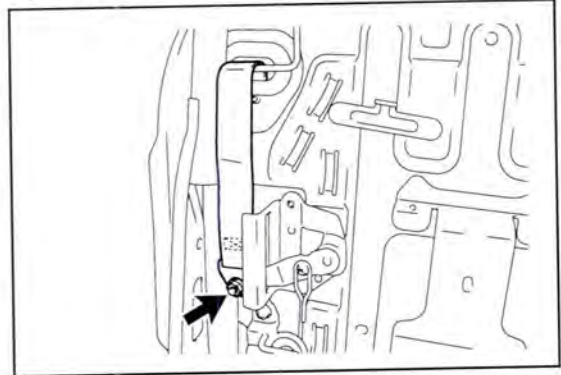
#### Repair Procedure (Continued)

##### Reassembly: RH Side

1. Install the No. 1 reclining release handle sub-assembly with the nut.

**Torque: 5.5 N\*m (56 kgf\*cm, 49 in\*lb)**

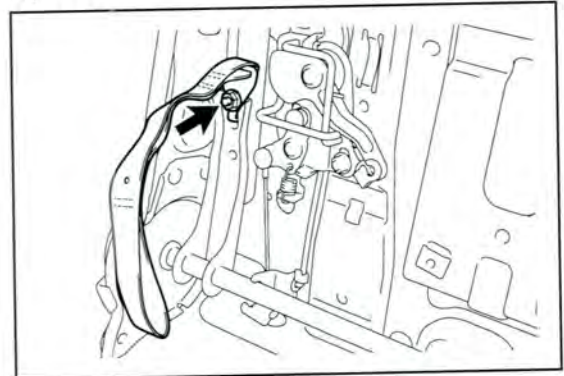
Figure 55.



2. Install the No. 2 seat reclining release handle sub-assembly and reclining bolt lock plate with the nut.

**Torque: 5.5 N\*m (56 kgf\*cm, 49 in\*lb)**

Figure 56.

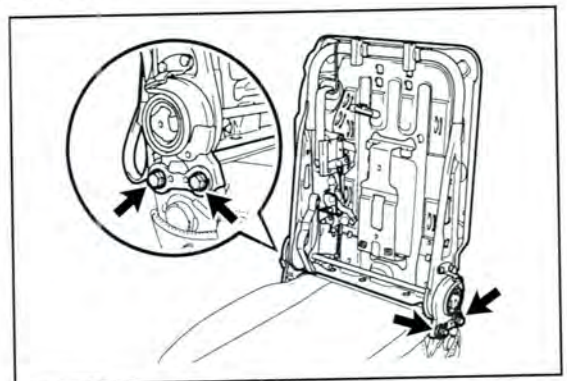


3. Install the No. 2 seatback frame sub-assembly RH.

- A. Install the No. 2 seatback frame sub-assembly RH with the 4 bolts.

**Torque: 44 N\*m (449 kgf\*cm, 32 ft\*lb)**

Figure 57.



## 3rd Row Manual Seatback Lock Position Inoperative

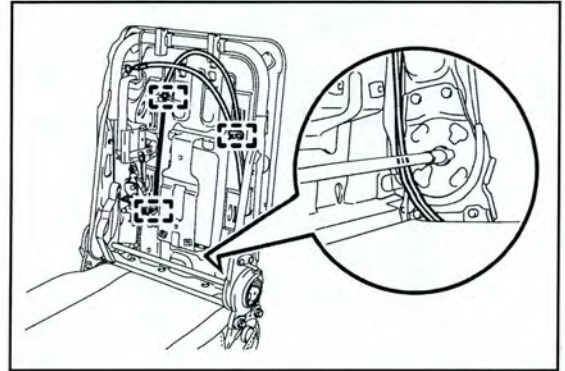
---

### Repair Procedure

#### Reassembly: RH Side (Continued)

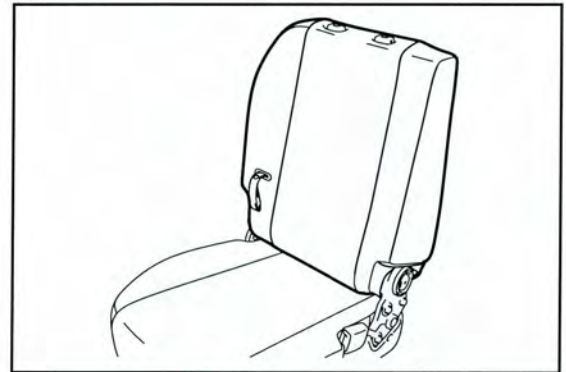
- B. Connect the 3 cable clamps and install the 2 reclining remote control cable assemblies as shown in the illustration.

Figure 58.



4. Install the No. 2 seatback cover with pad RH.

Figure 59.





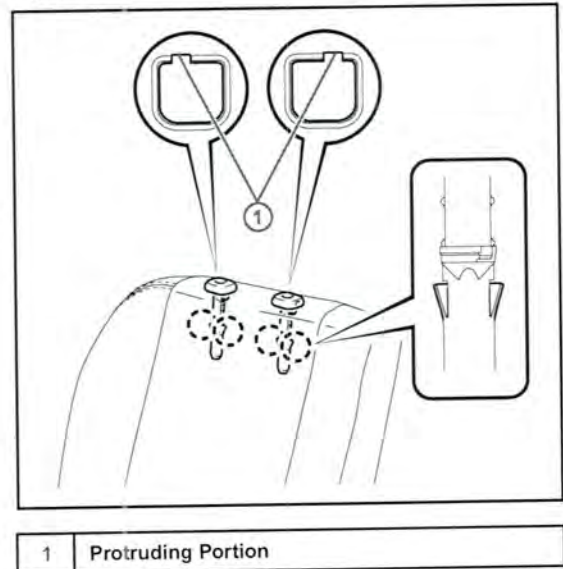
### 3rd Row Manual Seatback Lock Position Inoperative

#### Repair Procedure

#### Reassembly: RH Side (Continued)

5. Install the rear No. 2 seat headrest support assembly.
  - A. Align the protruding portion of the rear No. 2 seat headrest support assemblies with the installation grooves of the rear No. 2 seatback frame subassembly RH.
  - B. Engage the 4 claws and install the 2 rear No. 2 seat headrest support assemblies.

Figure 60.



### 3rd Row Manual Seatback Lock Position Inoperative

#### Repair Procedure

#### Reassembly: RH Side (Continued)

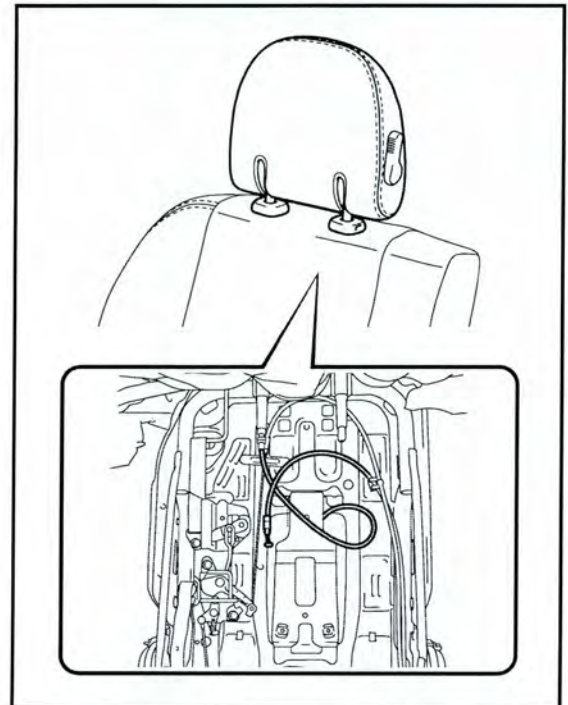
6. Install the No. 2 seat headrest assembly.

A. Install the No. 2 seat headrest assembly.

**HINT**

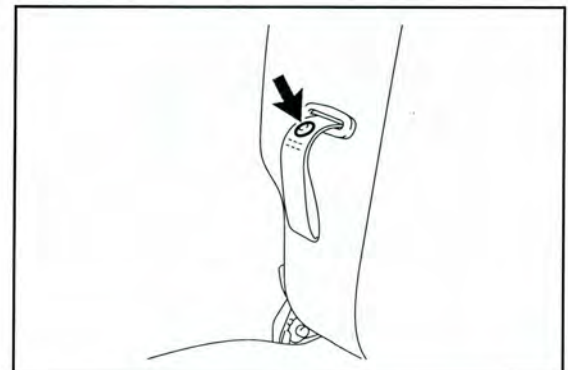
Turn back the No. 2 seatback cover with pad RH and set the cable as shown in the illustration, then pass the end of the cable through the opening for the third seat handle.

Figure 61.



B. Pull the reclining release handle sub-assembly through the No. 2 seatback cover with pad RH, and install the clip.

Figure 62.



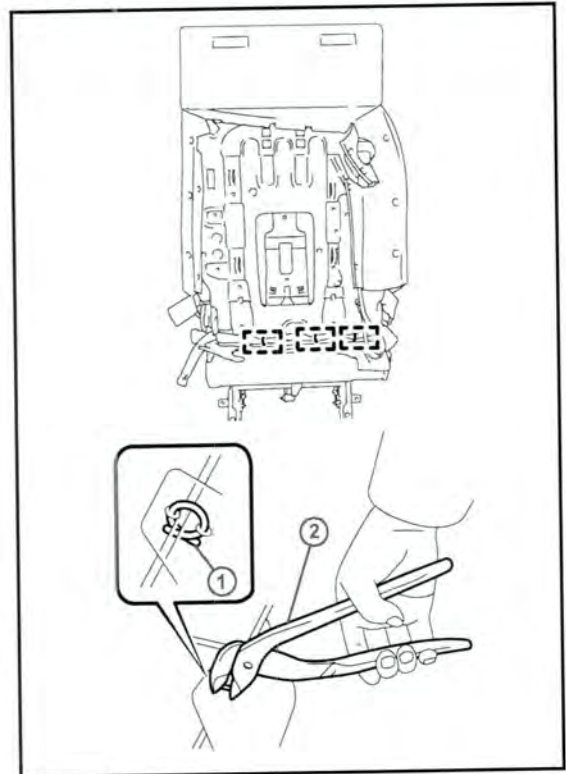
### 3rd Row Manual Seatback Lock Position Inoperative

Repair Procedure

Reassembly: RH Side (Continued)

- C. Using hog ring pliers, install the No. 2 seatback cover sub-assembly RH to the No. 2 seatback frame sub-assembly RH with 3 new hog rings.

Figure 63.



1	New Hog Ring
2	Hog Ring Pliers



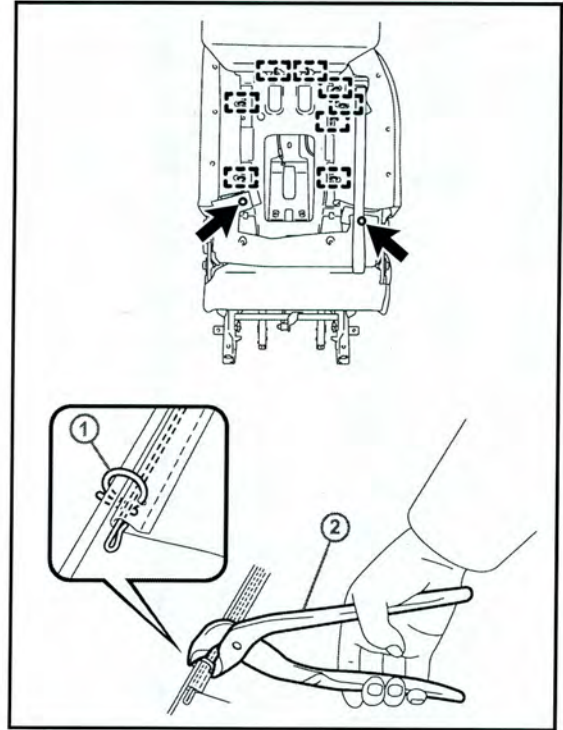
### 3rd Row Manual Seatback Lock Position Inoperative

**Repair Procedure**

**Reassembly: RH Side (Continued)**

- D. Using hog ring pliers, install the No. 2 seatback cover sub-assembly RH to the No. 2 seatback frame sub-assembly RH with 8 new hog rings.

Figure 64.



1	New Hog Ring
2	Hog Ring Pliers

- E. Install the 2 clips.

### 3rd Row Manual Seatback Lock Position Inoperative

Repair Procedure

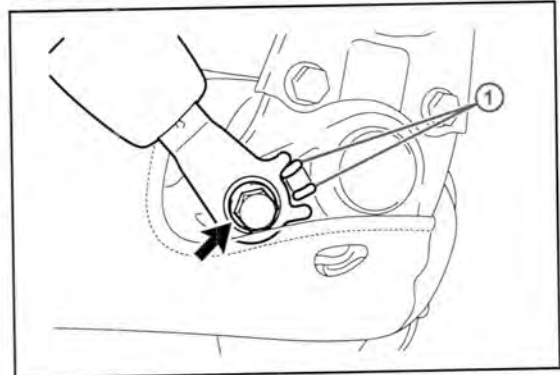
Reassembly: RH Side (Continued)

7. Install the rear No. 2 seat inner belt assembly RH with the bolt.

Torque: 42 N\*m (428 kgf\*cm, 31 ft\*lb)

**NOTICE**  
The anchor part of the seat belt must NOT overlap the convex.

Figure 65.

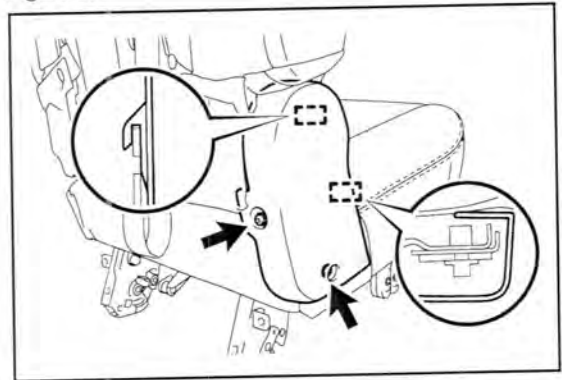


1	Convex
---	--------

8. Install the rear No. 2 seat reclining cover RH.

- A. Engage the 2 guides.
- B. Install the rear No. 2 seat reclining cover RH with the 2 screws.

Figure 66.



### 3rd Row Manual Seatback Lock Position Inoperative

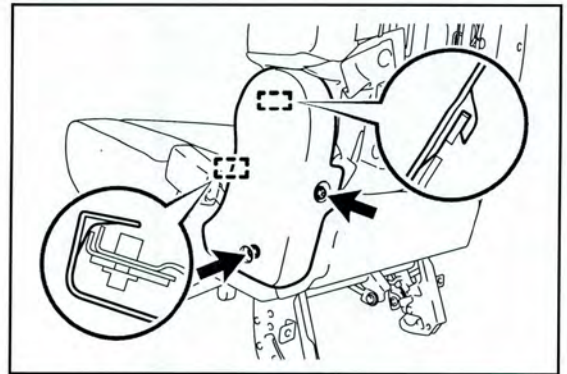
#### Repair Procedure

#### Reassembly: RH Side (Continued)

9. Install the rear No. 2 seat reclining cover LH.

A. Engage the 2 guides.

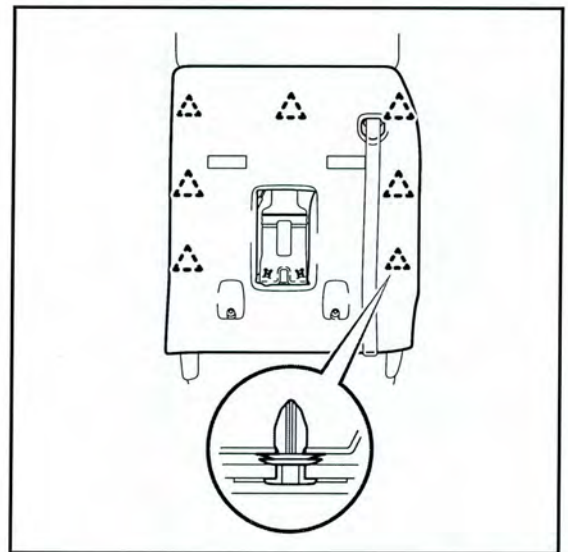
Figure 67.



B. Install the rear No. 2 seat reclining cover LH with the 2 screws.

C. Engage the 7 clips and install the rear seatback board cover RH.

Figure 68.



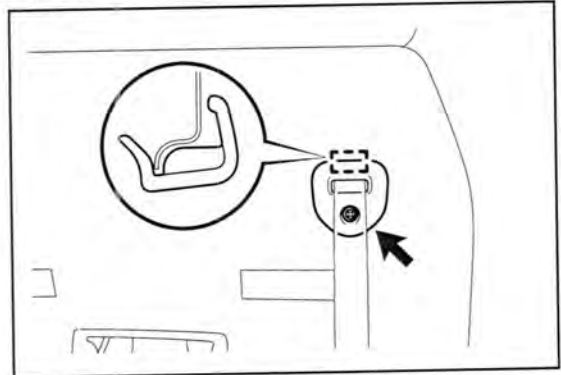
### 3rd Row Manual Seatback Lock Position Inoperative

#### Repair Procedure

#### Reassembly: RH Side (Continued)

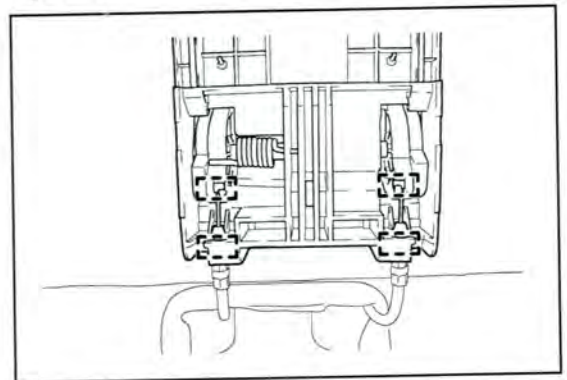
10. Install the rear seatback lock control bezel.
  - A. Engage the guide.
  - B. Install the rear seatback lock control bezel with the screw.

Figure 69.



11. Install the third seat handle.
  - A. Connect the 4 cable clamps.

Figure 70.





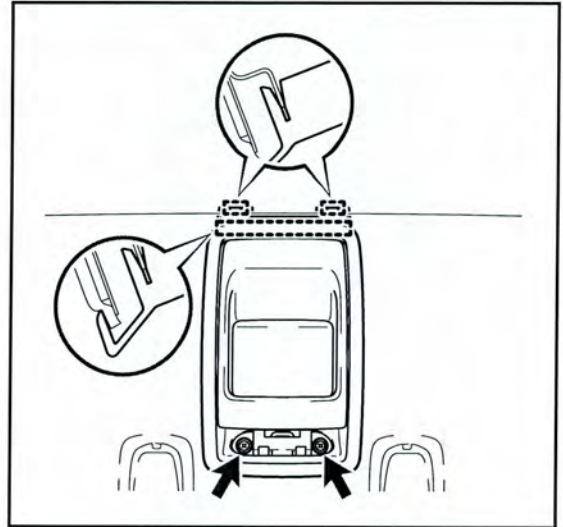
### 3rd Row Manual Seatback Lock Position Inoperative

#### Repair Procedure

#### Reassembly: RH Side (Continued)

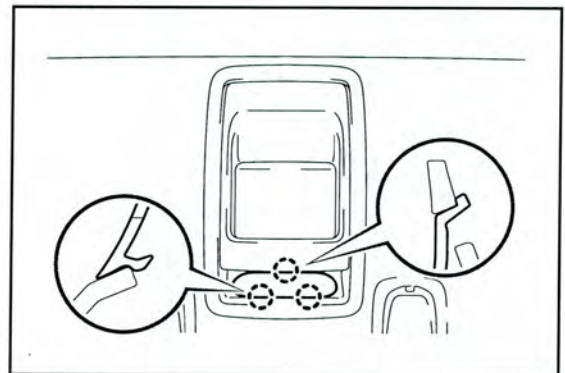
- B. Engage the 3 guides and install the third seat handle with the 2 screws.

Figure 71.



- 12. Engage the 3 claws and install the rear seatback striker cover.

Figure 72.



## 3rd Row Manual Seatback Lock Position Inoperative

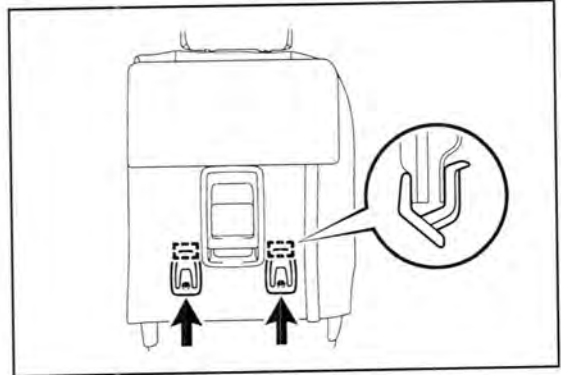
---

### Repair Procedure

#### Reassembly: RH Side (Continued)

13. Install the rear No. 2 seat cover bezel.
  - A. Engage the 2 guides.
  - B. Install the 2 rear No. 2 seat cover bezels with the 2 screws.

Figure 73.



### 3rd Row Manual Seatback Lock Position Inoperative

#### Repair Procedure (Continued)

##### Inspection & Installation

1. Flip the seat upside down to inspect the tension spring on the lower seat cushion assembly.

Confirm the seat cover fabric is not interfering with the tension spring of the reclining remote control cable assembly. If interference is found, adjust fabric to eliminate the interference.

Figure 74.

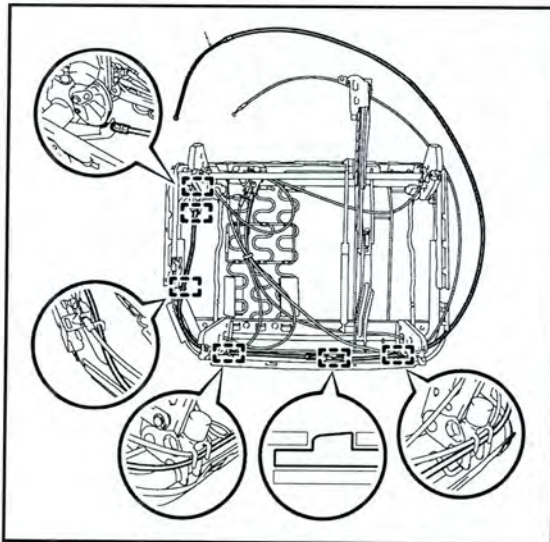
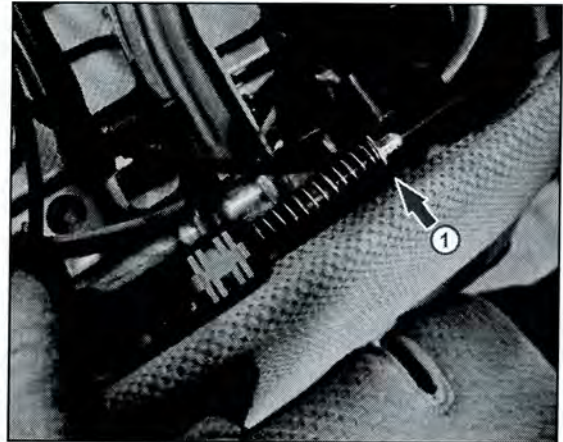


Figure 75.



1	Lip Can Catch on Fabric
---	-------------------------

2. Install the seat assembly.

Refer to the Technical Information System (TIS), applicable model and model year Repair Manual:

- 2011 Sienna:  
*Vehicle Interior – Seat – “Seat: Rear No. 2 Seat Assembly (for Manual Seat Type LH Side) / (for Manual Seat Type RH Side): Installation”*

3. Cycle the seat from the stowed to the upright position to confirm proper operation.