



Service Bulletin

File in Section: 08 - Body and Accessories

Bulletin No.: 12-08-64-003

Date: September, 2012

TECHNICAL

Subject: Interior Door Handle Replacement Kit

Models: 2006-2011 Chevrolet HHR

Condition

Some customers may comment the interior door handle is inoperative or that the chrome finish is peeling.

Cause

This condition may be caused by a fracture in the chrome portion of the door handle assembly where it attaches to the inside handle cable.

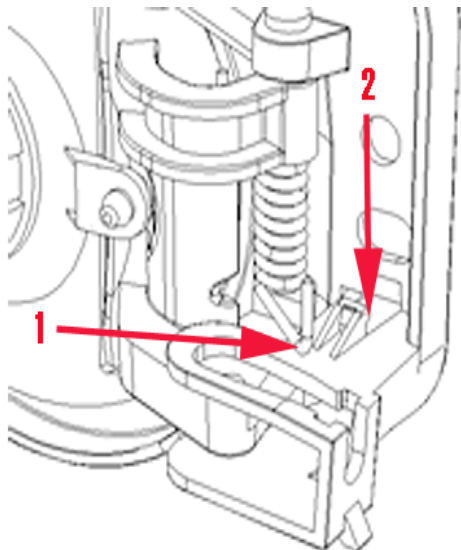
Correction

Important: Do Not replace the interior door trim panel to correct the condition. Use the kit listed below to service the chrome handle portion of the handle assembly.

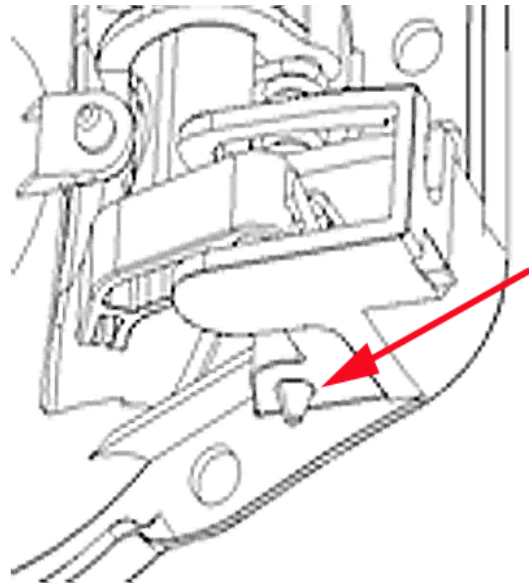
Use the following steps to install the door handle repair kit. Each kit services one door and contains one handle, pin and spring.

Note: The drivers side handle is shown in the following steps. The procedure applies to both driver and passenger side handles.

1. Remove the interior trim panel on the effected door. Refer to Side Door Trim Panel Replacement in SI.
2. Place the trim panel on a suitable work table. Use care to not damage or scuff the interior side of the panel.



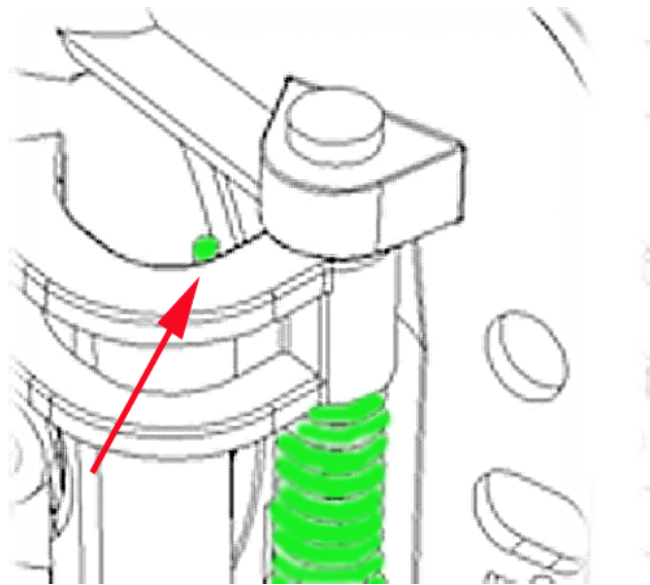
3. Release tension on the handle's return spring by removing the end of the spring (1) from the spring land on the housing (2).



2888574

4. Using a pair of wire cutters, or similar tool, cut the retaining barbs off the end of the plastic pin, allowing the pin to be removed. Use care to not damage the black plastic handle housing.
5. Taking note of the original configuration, remove the pin, handle, and spring from the housing.

2888573



2888576

6. Install the new handle and spring into the housing in the original configuration. The end of the spring must be installed behind the arm of the chrome handle, as shown, or it will not function properly.
7. Insert the new pin through the housing, handle, and center of the spring. The head of the pin should be fully seated. When it is installed properly, the retaining barbs will not allow the pin be removed once installed.

9. Reinstall the interior trim panel on the affected door. Refer to Side Door Trim Panel Replacement in SI. Verify correct operation of the handle.

Parts Information

Note: The kit will service either the front or rear door. The kits are handed (left or right).

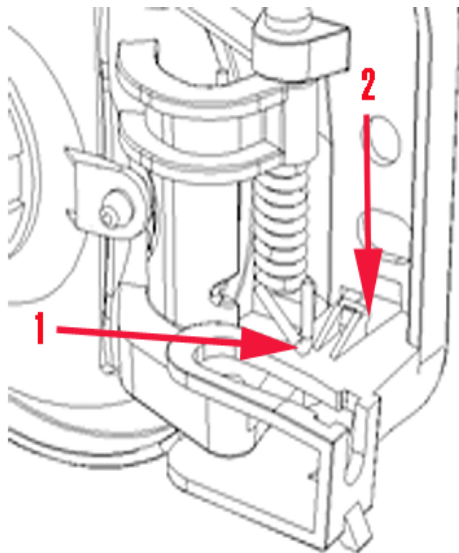
Part Number	Description	Qty
19299613	Side Door Inside Handle Kit (RH)	As Req.
19299614	Side Door Inside Handle Kit (LH)	As Req.

Warranty Information

For vehicles repaired under warranty, use:

Labor Operation	Description	Labor Time
C9518*	Install Side Door Inside Handle Kit	0.4 hr
Add	For Each Additional Door	0.3 hr

*This is a unique labor operation for bulletin use only. It will not be published in the Labor Time Guide.



2888573

8. Restore tension to the spring by hooking the exposed end of the spring (1) under the spring land on the black housing (2).

