



# Service Bulletin

File in Section: -

Bulletin No.: PI0727

Date: June, 2012

## PRELIMINARY INFORMATION

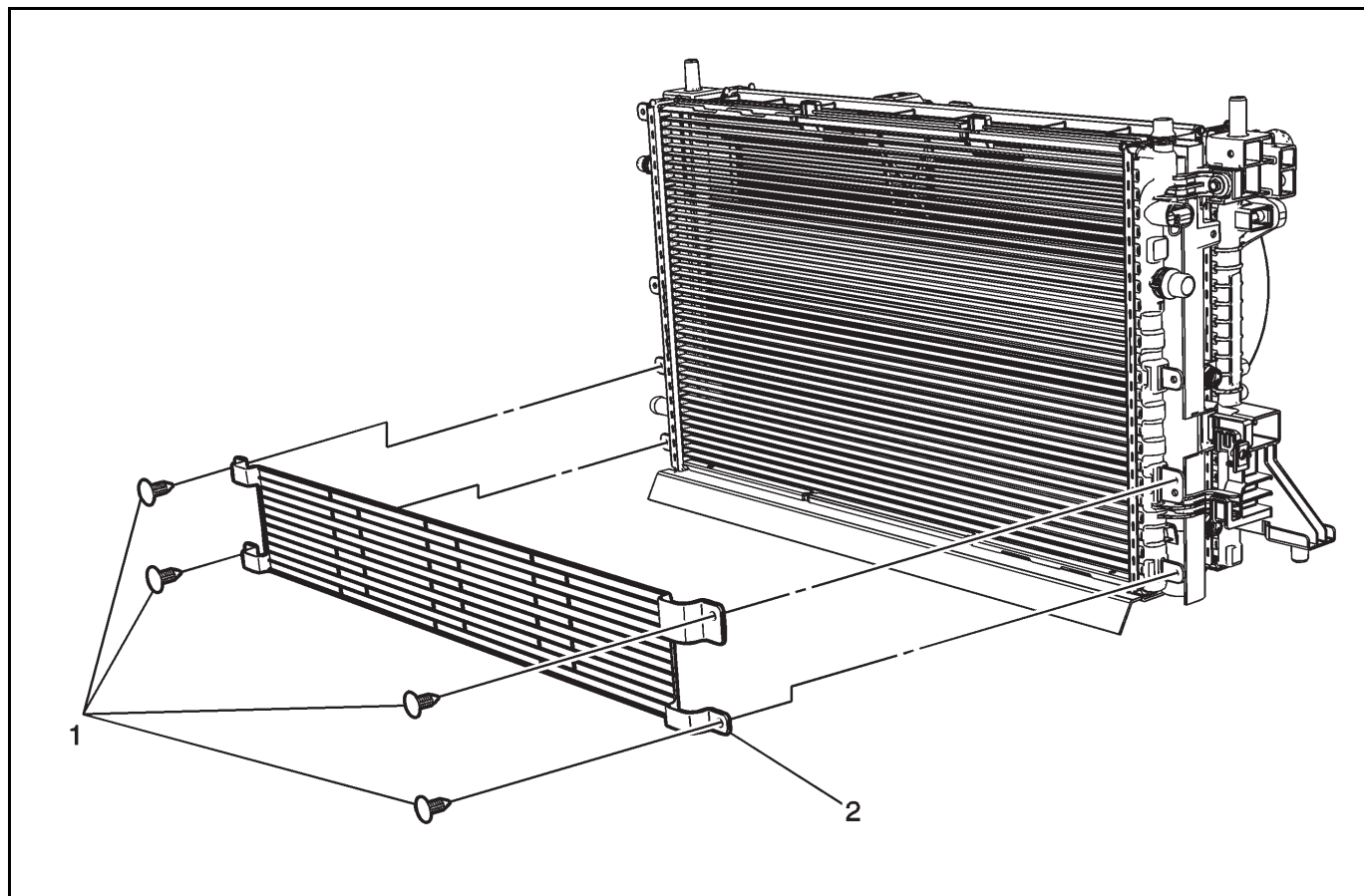
**Subject:** Supplemental Repair Required for High Voltage Battery Radiator Replacement Due to Stone/Foreign Material Impact

**Models:** 2011-2012 Chevrolet Volt  
Built Prior to November 01, 2011

### Condition/Concern

Some customers may comment on coolant leaking from the high voltage battery radiator. The radiator may leak due to frequent/heavy stone/foreign material impact.

### Recommendation/Instructions



2375955

Replace the radiator and install the radiator grille screen (2) that fits over the front of the radiator using retainers (1). The installation of the radiator grille screen will prevent stone/foreign material that comes through the front grille making contact with the new radiator causing damage.

### Parts Information

Contact Technical Assistance Center (TAC) to obtain the part numbers for the high voltage battery radiator, radiator grille screen and retainers (4 required per vehicle).

## Warranty Information

For vehicles repaired under warranty, use:

Labor Operation	Description	Labor Time
N5930	Drive Motor Battery Coolant Radiator Replacement	Use Published Labor Operation Time