

## SB-10043878-9462

**Title** Loose connectors in front seat cable harness  
**Ref No** US25330.1.0 en-US  
**Issuer** -  
**Partner** 3 US 7510 Volvo Cars North America  
**Func Group** 8521  
**Func Desc** front seat, complete

**Status** Released  
**Status Date** 2012-02-06  
**Issue Date** 2011-12-05  
**Reference** VIDA

### Attachment

File Name	File Size
TJ 25330.pdf	1.2590 MB

### Vehicle Type

Type	Eng	Eng Desc	Sales	Body	Gear	Steer	Model Year	Plant	Chassis range	Struc Week Range
124							2012-2012		0151101-0155385	0-0
134							2012-2013		0076075-0170045	0-0
136							2012-2012		0118101-0127175	0-0
156							2012-2013		0237068-0365008	0-0

### CSC Customer Symptom Codes

Code	Description
9V	Front seat/Seat ventilation does not work
TM	Front seat/Power seat adjustment/folding does not work
UW	Front seat/Seat heating does not work or too hot
8W	Seat belt and other safety systems/Air bag (SRS, IC, ROPS, SIPS) problems

### DTC Diagnostic Trouble Codes

### Text

**CSC = Customer Symptom Code**

**DTC = Diagnostic Trouble Code**

**Note! If using a printed copy of this Retailer Technical Journal, first check for the latest online version.**

### DESCRIPTION:

Some functions in the seat may stop working.  
SRS(Supplement Restraint System)-codes may occur.

**SERVICE:**

In case of customer complaints of poor functions in seat, perform action according to attached method. Also secure that no cables are damaged and the connectors are connected in a proper way.

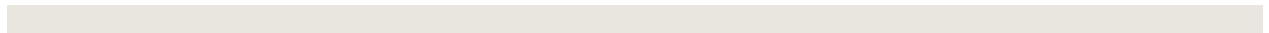
**VOLVO STANDARD TIMES GUIDE (VSTG) INFO:**

Operation number \*98368-1\* - \*\*Seat front 2 x check \*\* - "0.7 hrs"

- Claims may be submitted under the new car warranty when there is a documented customer complaint using claim type: 01

- Labor times are valid at the time of release and are subject to change.

**Continue to next page to view TJ attachment:**



<b>Volvo Car Customer Service</b>		
	<b>TJ Instruction</b>	
	<b>No 25330</b>	
		Date February 2012 Issue 01
Title	Loose connectors in front seat cable harness	

Materials	Quantity	Part No.
Cable tie	6.0	983750

1.

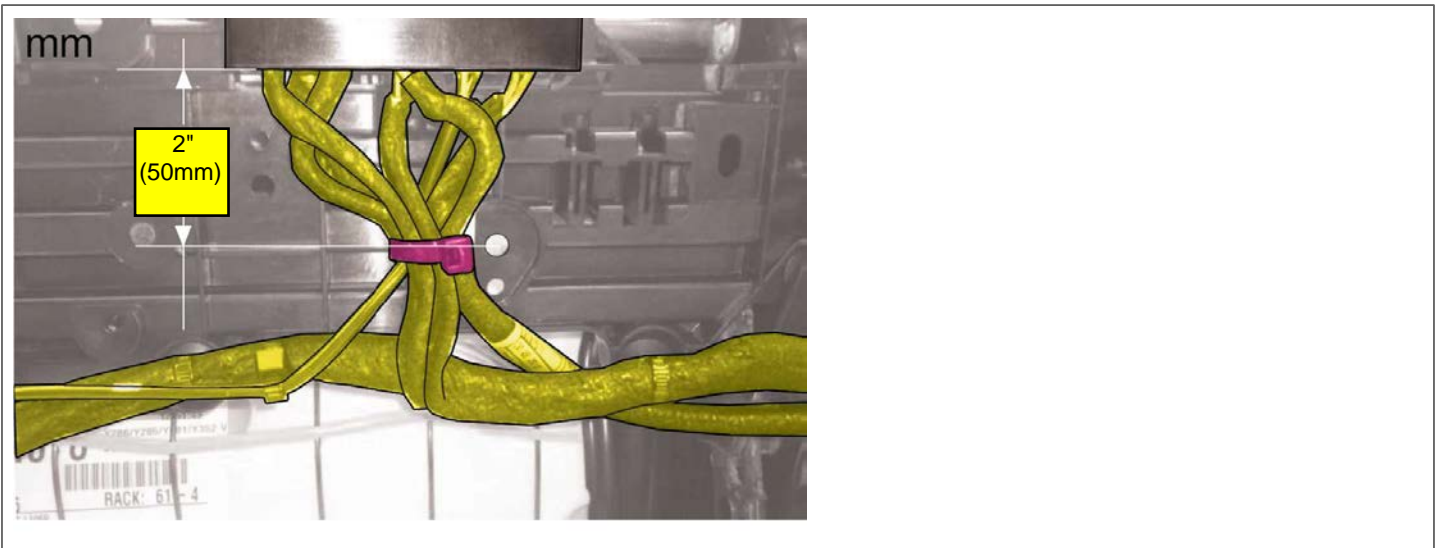
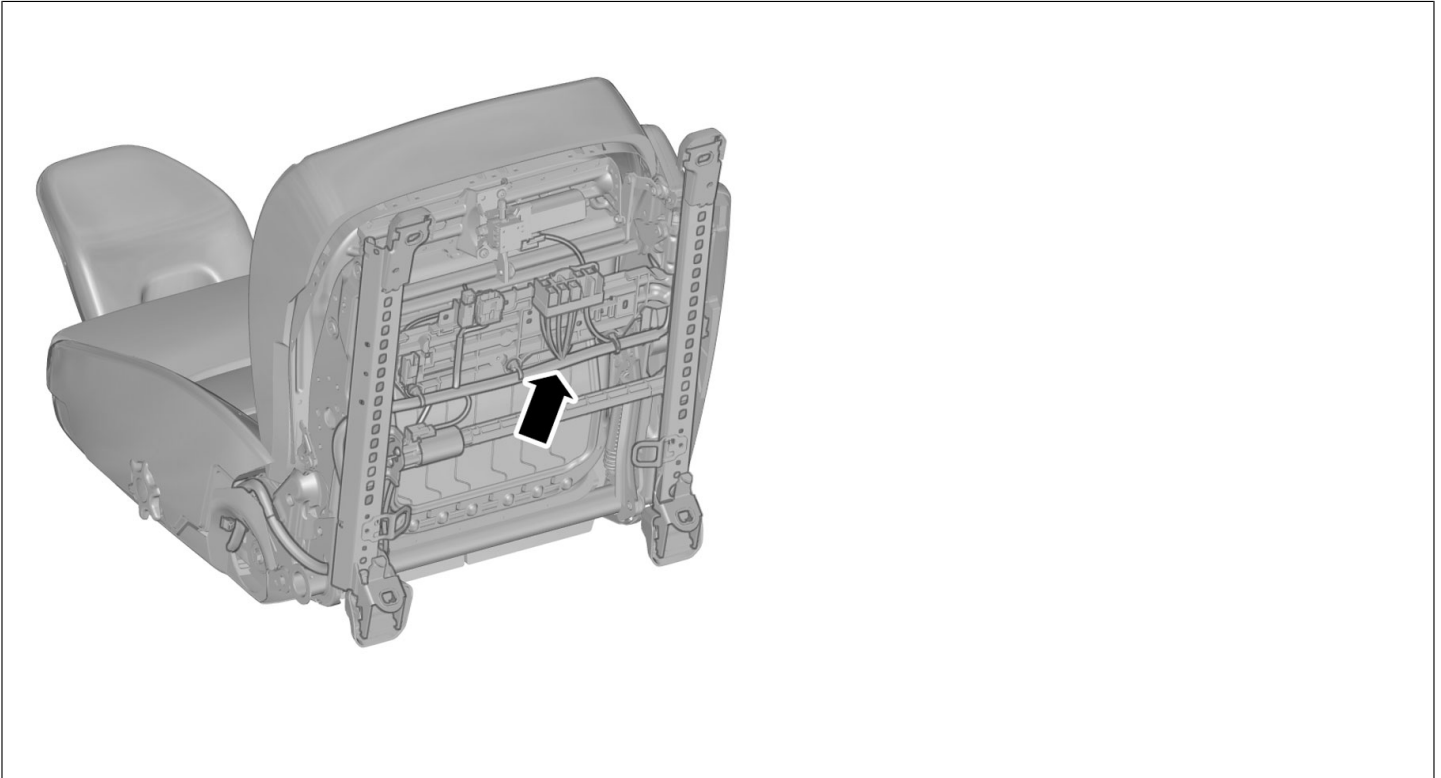
---

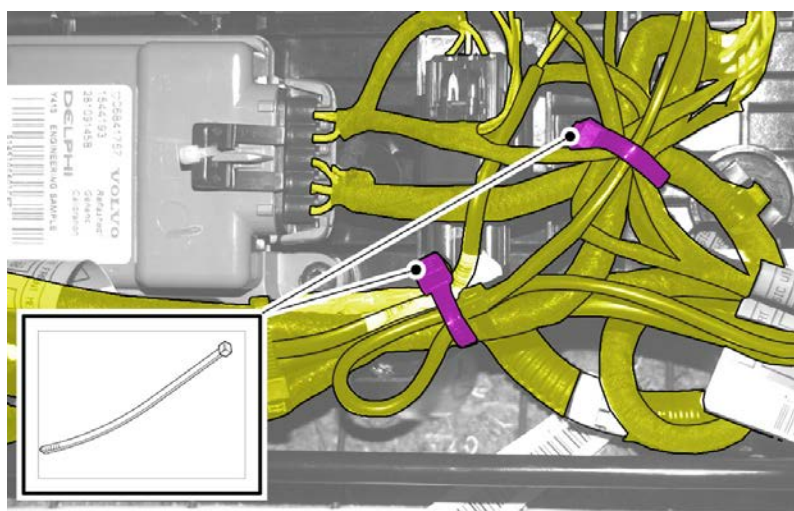
**Note!** Some variation in the illustrations may occur, but the essential information is always correct

---

### Adjustment

Remove front seat, refer to:  
Removal, replacement and installation  
8 - Body and interior  
85 - Interior  
852 - front seat, drivers seat, seat bench  
type

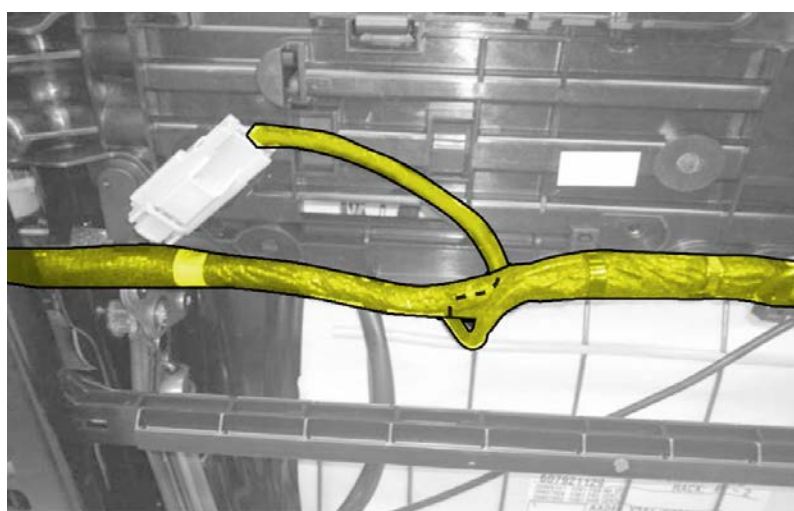




**Note! Vehicles with Occupant Weight Sensor (OWS)**

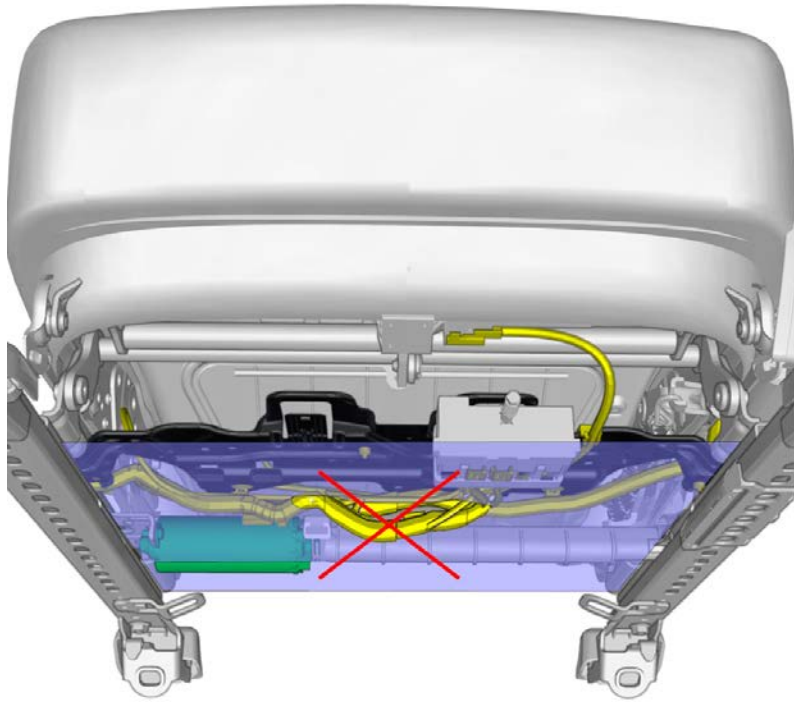


**Note! Vehicles with Seat Ventilation**

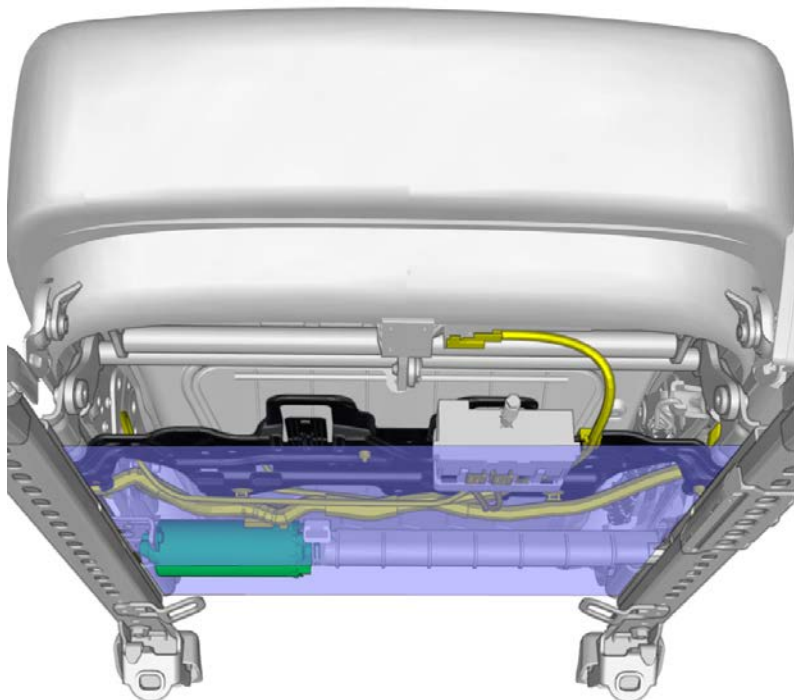


**Note! Vehicles with Seat Ventilation**

Vehicles with power seats

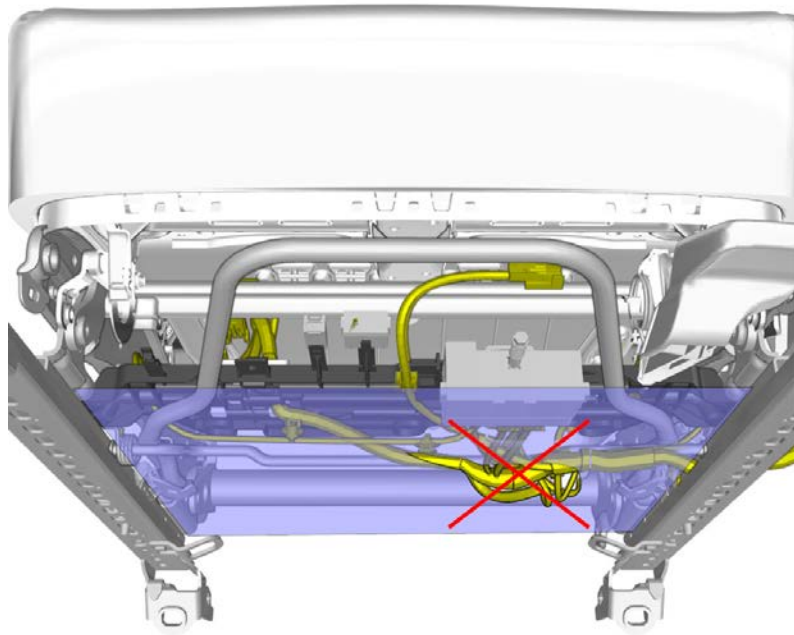


**Caution! Make sure that the wiring harness does not catch.**

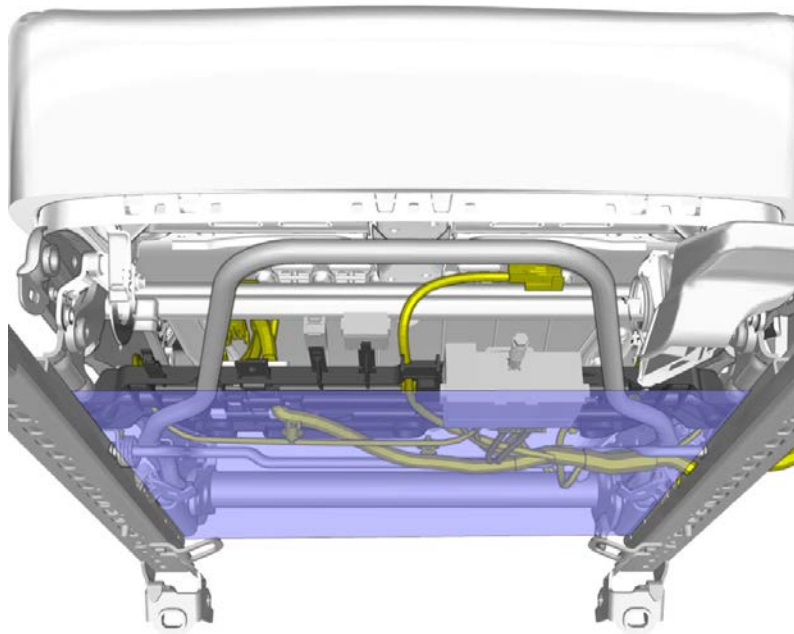


**Note! Extra cable length must be secured using cable ties.**

Vehicles without power seats

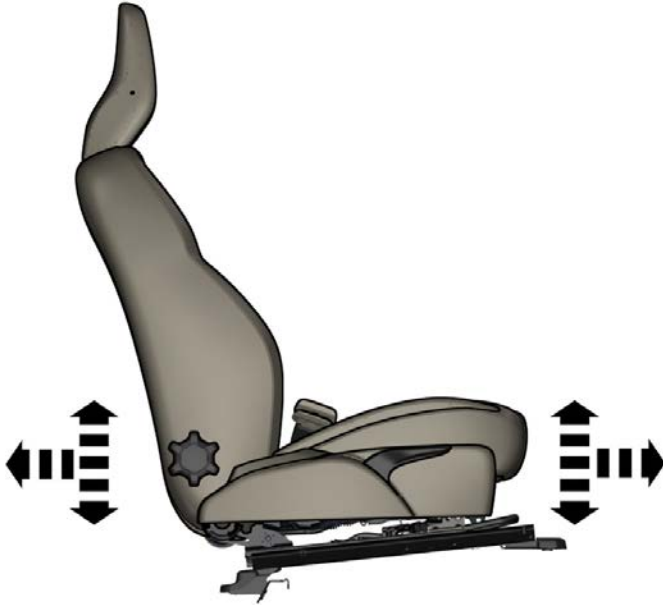


**Caution! Make sure that the wiring harness does not catch.**



**Note! Extra cable length must be secured using cable ties.**

Check



**Caution! Make sure to reach all end positions.**

**Caution! Make sure that the wiring harness is not stretched.**

Install the front seat, refer to:

Removal, replacement and installation

8 - Body and interior

85 - Interior

852 - front seat, drivers seat, seat bench type