

Date	Group	No.	Release	Page
2.2012	891	004	01	1(12)

Roof Fairing Hardware, Installation
(Spring Clips)

VN

**SP 891-004, Roof Fairing Hardware, Installation
(Spring Clips)**

(February 2012)

Some VN day cabs were shipped without all the proper hardware for the new roof upper to lower fairing installation. Trucks built prior to 10/8/2011 were shipped without four (4) spring nuts pre-installed from the factory. To install the missing spring nuts and securing bolts complete the following procedure.

Required Parts

4 - 20836664 Spring Nuts

4 - 994804 Bolts

Note: Information is subject to change without notice.
Illustrations are used for reference only and may differ slightly from the actual vehicle being serviced. However, key components addressed in this information are represented as accurately as possible.

Procedure

You must read and understand the precautions and guidelines in Service Information, group 80, "General Safety Practices, Cab" before performing this procedure. If you are not properly trained and certified in this procedure, ask your supervisor for training before you perform it.



DANGER

Before working on a vehicle, set the parking brakes, place the transmission in neutral, and block the wheels. Failure to do so can result in unexpected vehicle movement and can cause serious personal injury or death.



DANGER

Do not attempt to repair or service a vehicle without the proper training, tools and service information. Failure to do so may result in component damage, serious injury or death.



DANGER

Scaffolding or other suitable work platform must be used when performing this procedure. Failure to do so may result in a fall causing serious injury or death.

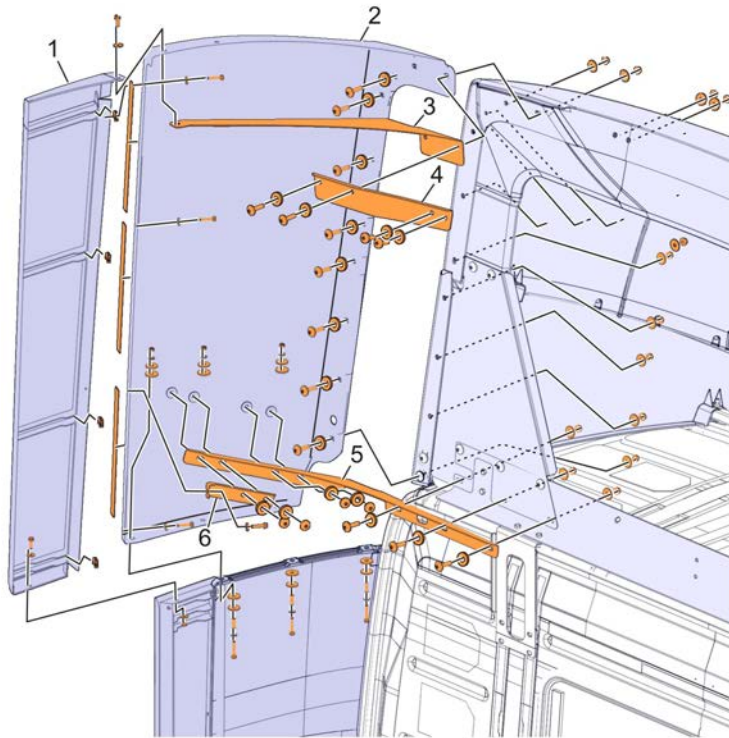
Note: Assistance is required to complete this procedure properly.

- 1 Secure the vehicle for service by parking it on a flat level surface, applying the parking brake, chocking the rear wheel, and placing the transmission in neutral.
- 2 Disconnect all cables from the negative (ground) battery terminals to prevent personal injury from electrical shock and prevent damage to electrical components.

- 3 Loosen the exhaust stack band clamps for the upper stack pipe. Remove the upper exhaust stack and place out of the work area.

Note: Mark the exhaust pipe alignment to assist with orientation and reassembly.

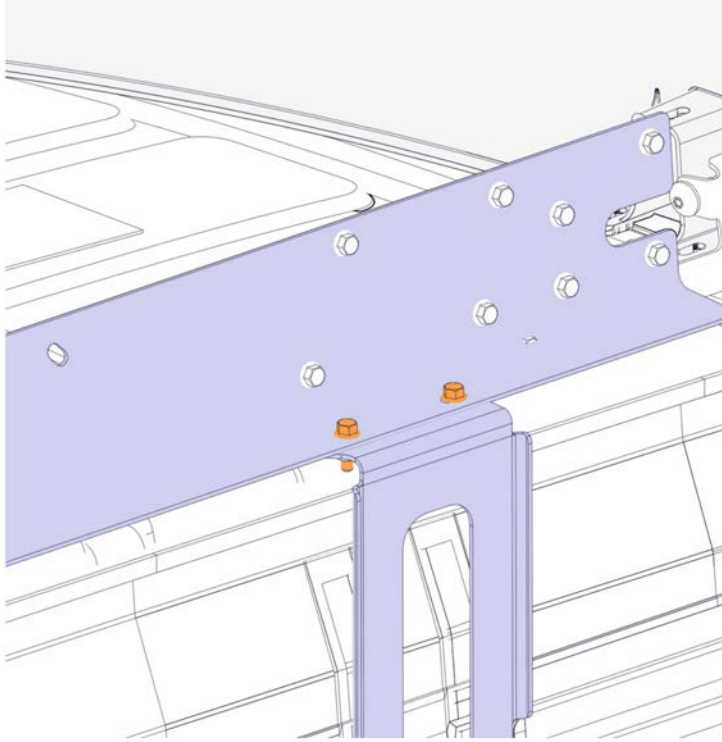
- 4 With assistance, remove the fasteners securing the upper roof side fairings. Remove both upper roof side fairings and place in a secure location.



W8069331

- 1 – Aero Extender
- 2 – Side Fairing
- 3 – Bracket, Side Fairing (Upper)
- 4 – Bracket, Side Fairing
- 5 – Bracket, Side Fairing (Lower)
- 6 – Bracket, Aero Extender

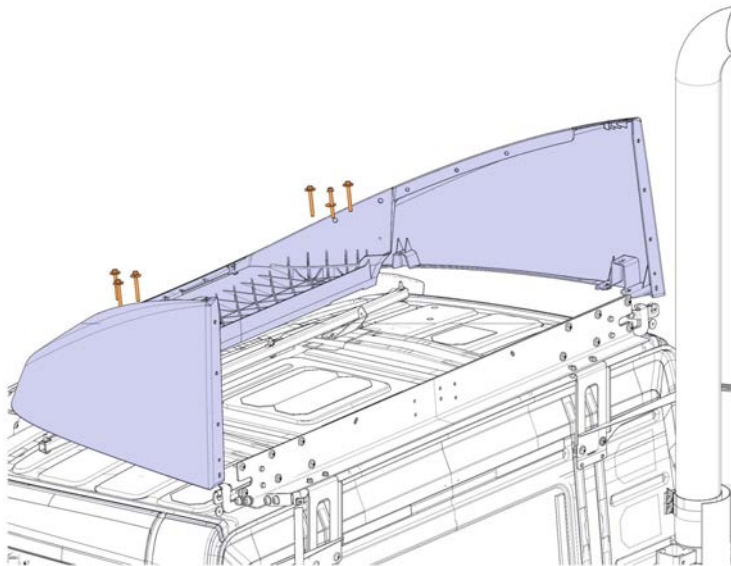
- 5 Loosen the (2) fasteners on each side securing the lower roof fairing L-Bracket to the roof mounted cab brackets.



W8070809

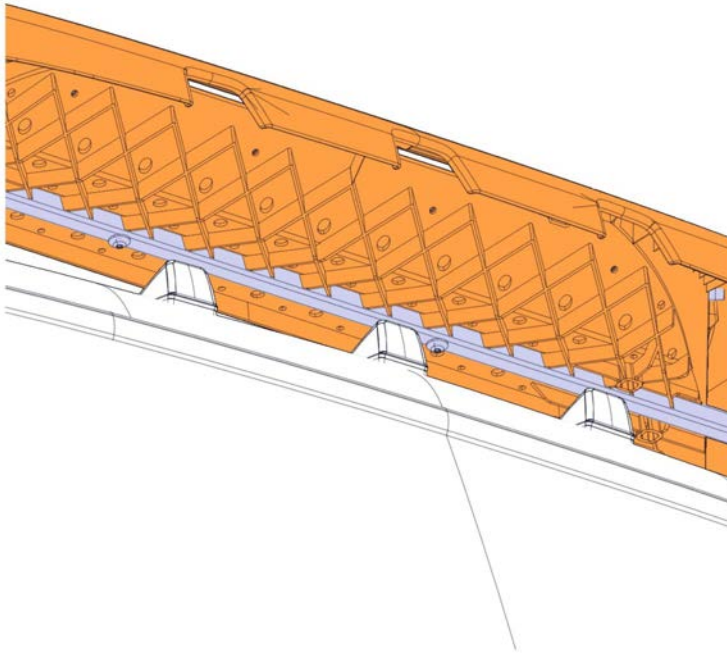
- 6 Remove the (3) fasteners on each side securing the front of the lower roof fairing to the roof.

Note: Inspect the cab sealing O-rings and washers. Replace with new pieces if they are damaged or lost.



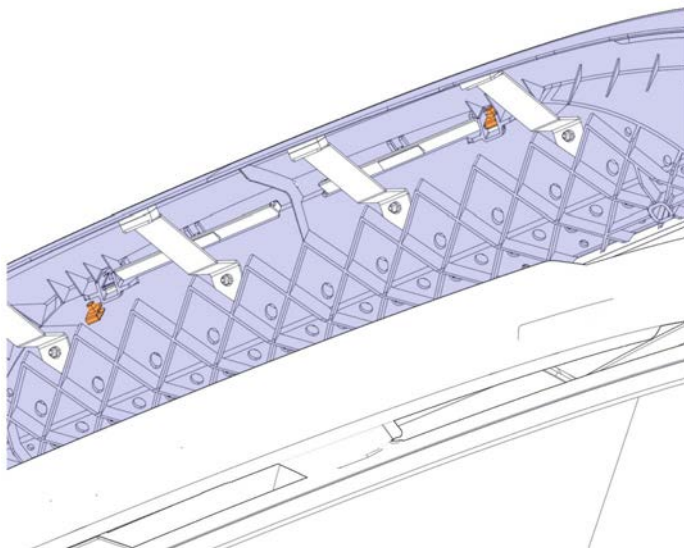
W8066625

- 7 Lift and tilt the roof air fairing assembly rearward. Safely support the front of the roof fairing to gain access to the underside of the lower air fairing.

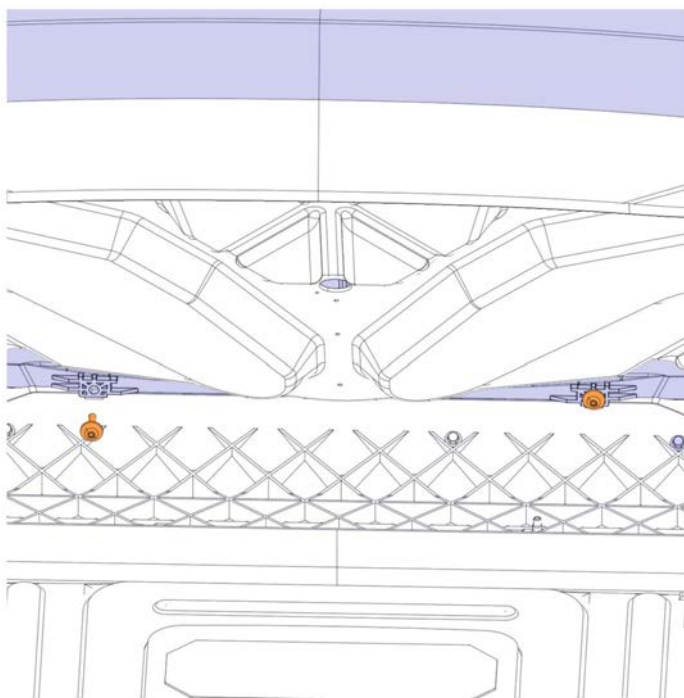


W8071993

- 8 With assistance, install the front two spring clips and fasteners. Tighten fasteners to 24 ± 4 Nm (17 ± 3 ft-lb).

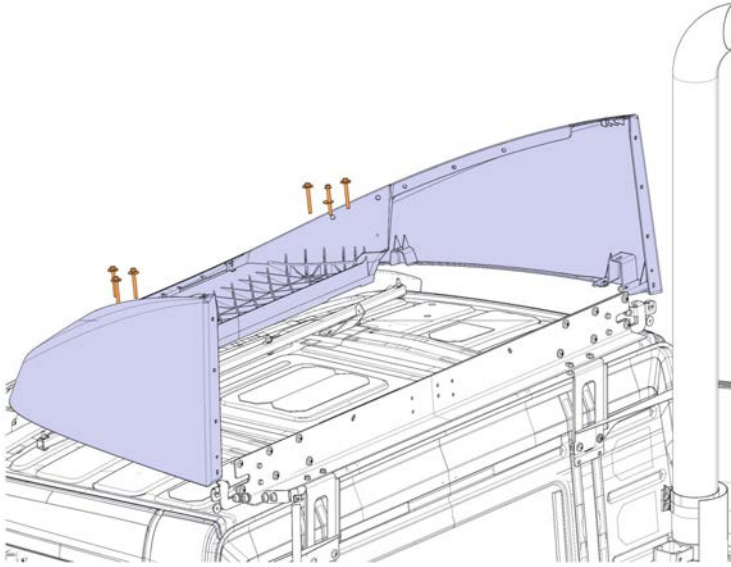


W8071926



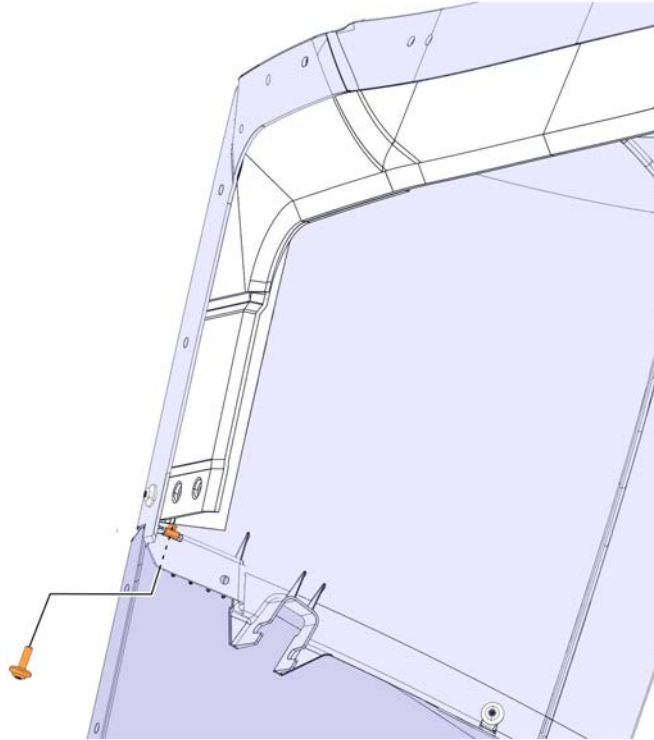
W8071923

- 9 Carefully lower the roof fairing assembly onto the roof. Torque the front (6) fasteners to 24 ± 4 Nm (17 ± 3 ft-lb).



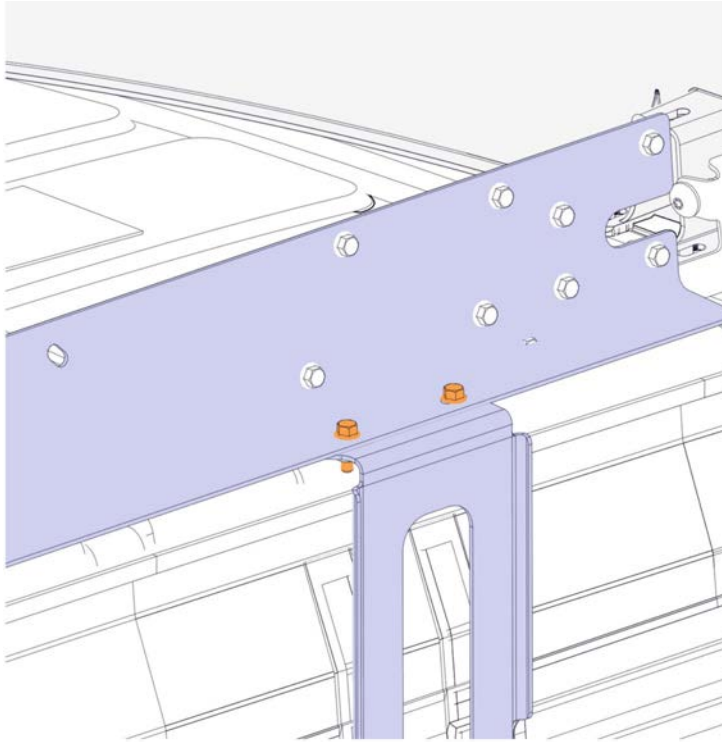
W8066625

10 Install the two rear spring clips and fasteners in each rear upper corner. Torque fasteners to 24 ± 4 Nm (17 ± 3 ft-lb).



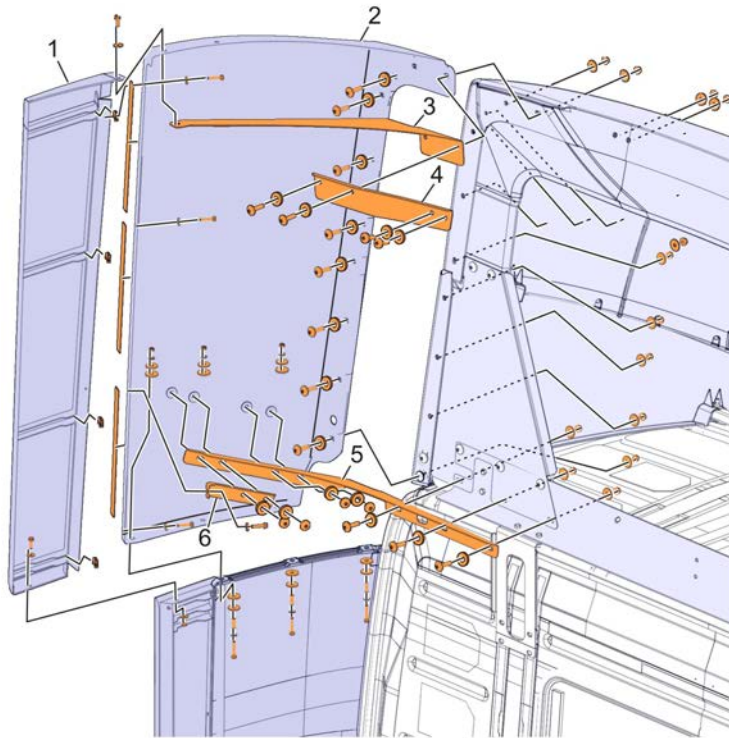
W8068034

- 11 Install the (2) fasteners on each side securing the lower roof fairing L-Bracket to the roof mounted cab brackets. Torque fasteners to 24 ± 4 Nm (17 ± 3 ft-lb).



W8070809

12 With assistance, install both the upper roof side fairings into position. Install the fasteners securing the upper roof side fairings and torque to 24 ± 4 Nm (17 ± 3 ft-lb).



W8069331

- 1 – Aero Extender
- 2 – Side Fairing
- 3 – Bracket, Side Fairing (Upper)
- 4 – Bracket, Side Fairing
- 5 – Bracket, Side Fairing (Lower)
- 6 – Bracket, Aero Extender

13 Install the upper exhaust stack into position. Use the alignment marks previously made to help with the installation. Torque the exhaust stack band clamps to 61 ± 4 Nm (45 ± 3 ft-lb).

14 Reconnect all previously removed cables to the negative (ground) battery terminals.

Reimbursement

This repair is covered by an authorized Service Program. Reimbursement is obtained via the normal claim handling process.	
Claim Type (used only when uploading from the Dealer Bus. Sys.)	B
Recall Status	
Vehicle inspected, repair not required	1- Inspected OK
Vehicle repaired per instruction	2- Modified per instruction
Labor Code	
Primary Labor Code	89131-0-02 — 1.2 hrs.
Time to take charge and determine campaign status	17003-0-01 — 0.3 hrs.
Causal Part	20836664
Parts Disposition	
Note: SCRAP	
Other Material/Parts	
Authorization Number	SP891004
Expiration Date	16 Feb. 2013

Note: Take Charge Time is not included in the Labor Code for this operation. Take charge may be eligible but can only be used once per repair visit. If vehicle is having other warranty repairs performed, take charge should be charged to the warranty repair, otherwise take charge can be charged to this service program.