



Service Bulletin

File in Section: -

Bulletin No.: PIC5625A

Date: February, 2012

PRELIMINARY INFORMATION

Subject: Steering Sensitive At Highway Speed / Sensitive To Wind At Highway Speed

Models: 2012 Chevrolet Sonic

This PI was superseded to update recommended field. Please discard PIC5625.

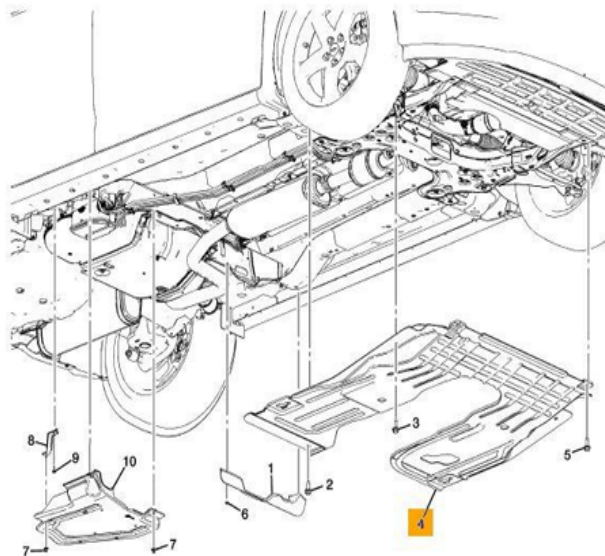
The following diagnosis might be helpful if the vehicle exhibits the symptom(s) described in this PI.

Condition/Concern:

A customer may have a concern that while driving on the highway, and although the steering wheel is properly centered, they are finding themselves having to make slight steering corrections at times while driving straight down the road. A customer may also state that the steering is sensitive or more responsive than they are used to from past driving experience.

Recommendation/Instructions:

Note: Do not attempt to check the alignment first. This concern may not be related to the alignment.



2761635

On vehicles built prior to January 1, 2012, dealers are instructed to remove the vehicle belly pan, which may cause the vehicle to be more sensitive to high speed airflow, and re-evaluate the concern. If the concern is no longer present, no further repairs are required at this time. If concern is still present, or if the vehicle was built after January 1, 2012, contact General Motors Technical Assistance for further direction.

Please follow this diagnostic or repair process thoroughly and complete each step. If the condition exhibited is resolved without completing every step, the remaining steps do not need to be performed.