

	Countries - CANADA, UNITED STATES Availability: ISIS, FleetISIS Major System: STEERING SYSTEM Other Language Availability: English Average Rating: Number of Ratings:1	Doc ID: IK0500038 Language: English Revision: 2.00 Created: 8/19/2011 Last Modified: 8/19/2011 Used: 139 Author: Jon Frettinger
	Rate this Article: Provide Article Feedback Was this document helpful? Yes No Bookmark Print	

Title:
Steering Shake, Shimmy, Shudder, or Steering Vibration

Applies To:
All Chassis

DESCRIPTION

Steering intermittently goes into a shimmy after hitting a bump

SYMPTOMS

- The steering system may go into a shimmy after hitting a bump or during a curve. Normally the vehicle speed will need to be reduced in order to stop the shimmy. The symptoms may include a lateral (side to side) shake and possible oscillation of the steering wheel.

PARTS INFORMATION

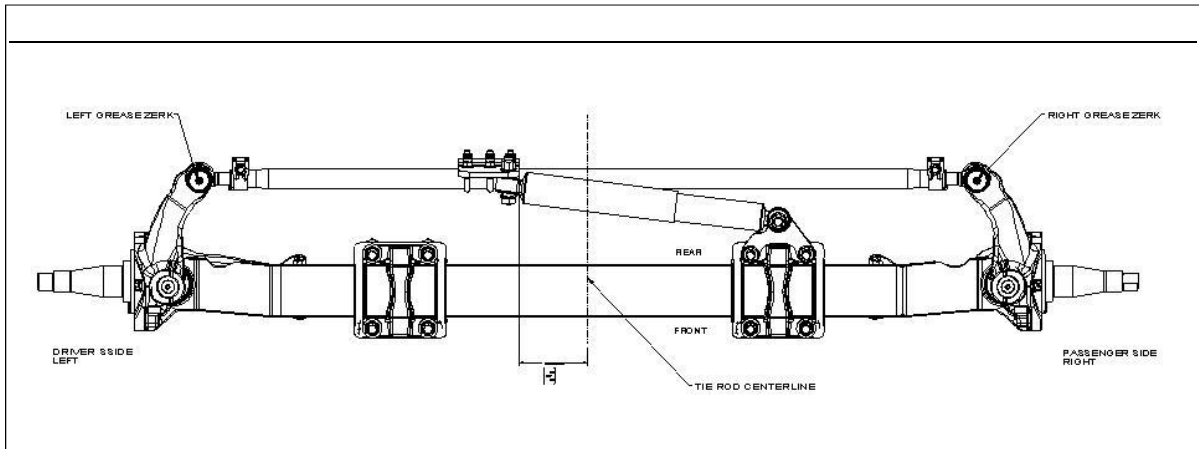
Part #	Description	Qty.
2611407C91	Steering Stabilizer (with 4 inch wide steer axle springs)	1

TROUBLESHOOTING

- Confirm that lateral and radial runout measurements on all tires are below .065 - This must be repaired prior to continuing with any other repairs.
- Check all steering components as well as king pins and wheel bearings on the steer axle for excess play or out of specification conditions and repair as needed.
- Confirm there is no air in power steering fluid and confirm the steering system is operating properly.
- Confirm fastener torque on all steering system, frame rail and crossmember, and fuel tank mounting brackets/supports.

RESOLUTION

The stabilizer kit can be installed to dampen the steering system.



WARNING:

The steering system must be inspected and tested for full range of travel to confirm there is no binding or contact after the stabilizer has been installed. Any binding or contact at any point in the full range of travel must be repaired.

No's: 111 (this is the # of times that someone answered "No" the article did not help them)

Average Rating:

Number of Ratings: 1

Feedback Comments

There are no feedback comments on this article yet.