

EPA07 Exhaust Bellows Replacement

> L-Line Cargo 360
> A-Line > Acterra Bullet

**Sterling
Service Bulletin**

Description of Revisions: This bulletin replaces the version dated October 2010. The clamp part numbers were updated.

General Information

If you have a failed exhaust bellows on an EPA07 engine installation, replace it with a new style bellows, and two new matching clamps. Refer to **Table 1** for original and replacement part numbers.

NOTE: The two part numbers for each size clamp are only for packaging purposes. The clamps are the same for both part numbers, so clamps with either number can be used together.

Follow the procedure below, and refer to the appropriate workshop manual for vehicle specific information.

EPA07 Exhaust Bellows Replacement Parts			
Description	Original Part Number	Replacement Part Number	New Clamp Part Number
5-Inch Bellows	A04-25022-018	04-28522-000	TCX AMS015AM (2 ea) or TCX AMS015 (2 ea)
4-Inch Bellows	A04-25922-018	04-28578-000	TCX AMS014AM (2 ea) or TCX AMS014 (2 ea)
	A04-26193-018		

Table 1, EPA07 Exhaust Bellows Replacement Parts

Replacement

1. Remove the exhaust piping between the turbo and aftertreatment device (ATD).
 2. On the workbench, remove the exhaust bellows from the exhaust piping. Do not damage the piping.
- NOTE: The following step, and its substeps, is to be done without the bellows installed. This will align the pipes so that the bellows can be installed correctly.
3. Check and align the ATD inlet pipe with the turbo outlet pipe.
 - 3.1 Install the ATD inlet pipe on the ATD.
 - 3.2 Install the turbo outlet pipe on the turbo.
 - 3.3 Measure the vertical distance between the pipe ends and the frame rail. See **Fig. 1**. This measurement must be the same for both pipe ends.
 - 3.4 Measure the horizontal distance between the pipe and the frame rail. See **Fig. 2**. This measurement must be the same for both pipe ends.
 4. Once the pipes are aligned and concentric, measure the distance between the ATD inlet pipe and turbo outlet pipe. See **Fig. 3**.
The minimum distance should be 13-3/8 inches (340 mm), and the maximum should be 14-3/8 inches (365 mm). If they are too close together cut an equal amount off of each pipe to meet the minimum distance.
 5. Using a yellow paint pen mark the pipes 1.5 inches (38 mm) in from the end of each pipe. These two marks will be used to center the bellows between the two pipes.
 6. Once the pipes are correctly aligned and separated at the correct distance, secure the ATD inlet pipe.
 7. Remove the turbo outlet pipe from the truck.
 8. Slide the slip clamp, with the retaining ring and graphite gasket ring, on the ATD inlet pipe. See **Fig. 4** for proper installation.

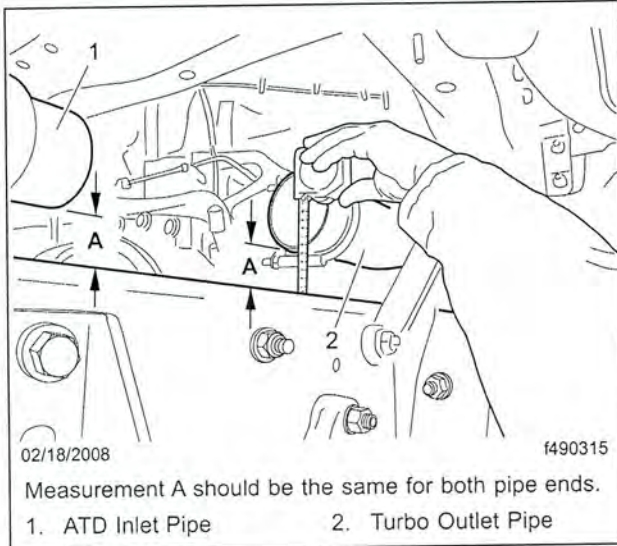


Fig. 1, Vertical Measurement

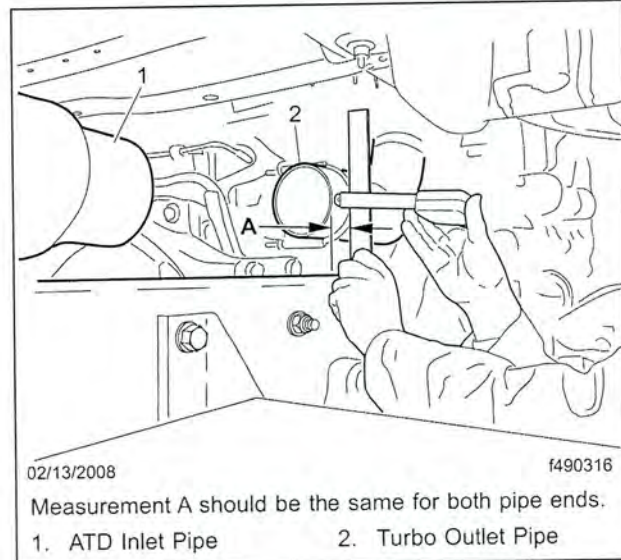


Fig. 2, Horizontal Measurement

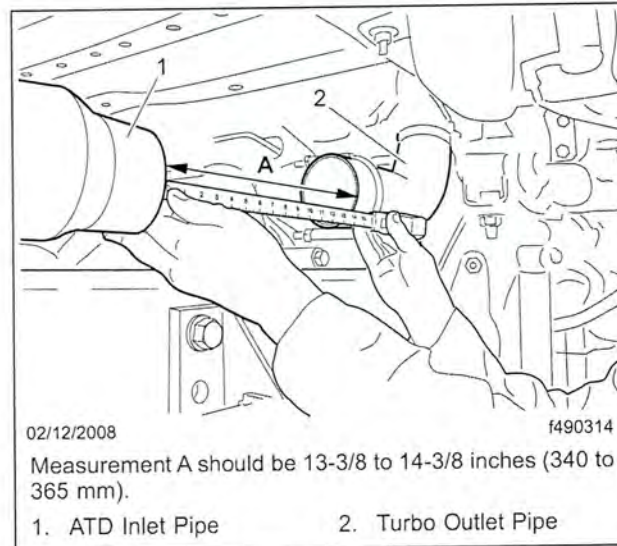


Fig. 3, Measuring Between the Pipes

9. Slide the new bellows onto the ATD inlet pipe as far as it will go. See Fig. 5.
10. Install the slip clamp with the retaining ring and graphite gasket ring onto the turbo outlet pipe. See Fig. 6 for proper installation.
11. Slide the outlet end of the turbo outlet pipe into the bellows, and align the other end to the turbo.
12. Secure the turbo outlet pipe to the turbo and pipe support bracket.

> L-Line Cargo 360
 > A-Line > Acterra Bullet

**Sterling
 Service Bulletin**

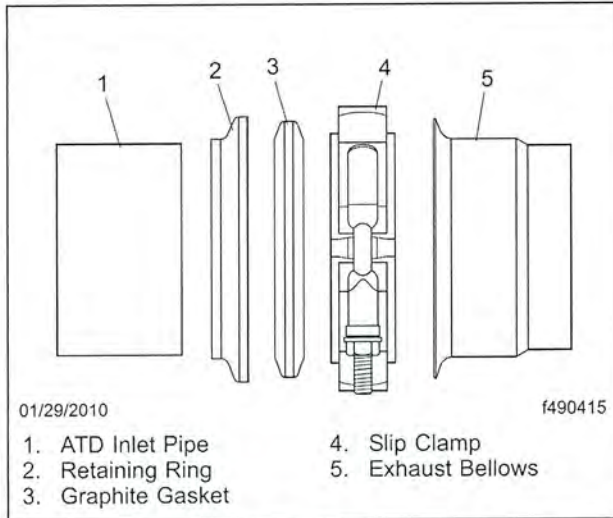


Fig. 4, Aft Facing Slip Clamp Installation

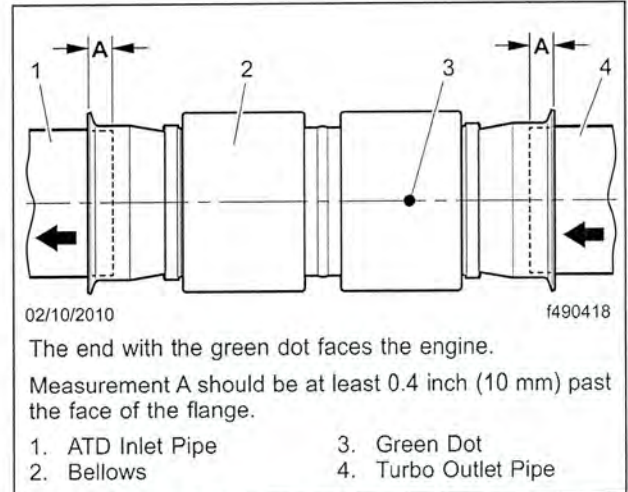


Fig. 5, EPA10 Exhaust Bellows

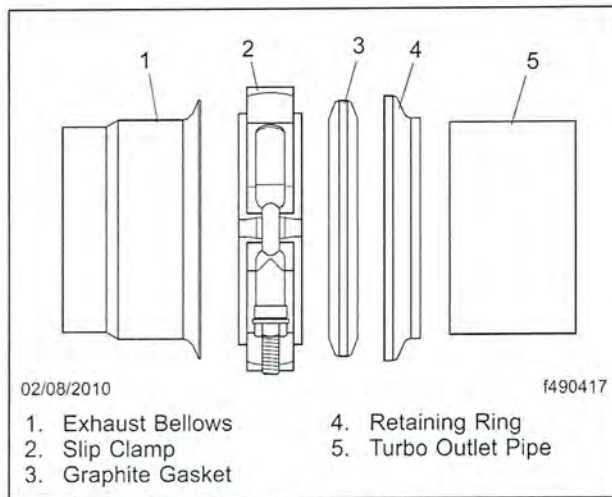


Fig. 6, Forward Facing Slip Clamp Installation

13. Using the yellow marks, center the bellows between the exhaust pipes. Verify that the pipe is inserted at least 7/16 inch (10 mm) past the face of the flange. See Fig. 5.
14. Install the slip clamps on the bellows. Tighten the slip clamps 15 lbf-ft (20 N-m).
15. Start the engine and check for exhaust leaks. Tighten any clamps as needed.

Warranty

This bulletin is informational only. Warranty does not apply.