

IMPORTANT INFORMATION
Please inform and provide a copy of this document to every person in your dealership with campaign-related responsibilities, including Service, Parts and Accounting personnel. By law, dealers must correct, prior to delivery for sale or lease, any vehicle that fails to comply with an applicable Federal Motor Vehicle Safety Standard or that contains a defect relating to motor vehicle safety. If you have questions regarding this or any other campaign, please call (800) 741-2919.



Service Action Circular

Code: **97R7**

**Subject: 2006-2009 Passat and Passat Wagon 3.6L Vehicles and
2009 CC/Passat CC 3.6L Vehicles
Inspect, and If Necessary, Replace Positive Battery Cable**

April 2010

Problem Description

Vehicles affected by this action may have a positive battery cable that may corrode and, in rare cases, break. If this happens, the power supply may be disrupted and the vehicle cannot be started. This action does not apply if the 97P4/Y5 RVU has already been done.

Corrective Action

Inspect, and if necessary, replace the positive battery cable.

VIN Ranges & Production Dates

U.S.A.

(Emden) **2006 – 2009 Passat/Passat Wagon**
WVW _ _ _ 3C_6E020265 - WVW _ _ _ 3C_9E526629
Production Date: 04/20/2005 - 09/26/2008

(Mosel) **2006 – 2008 Passat/Passat Wagon**
WVW _ _ _ 3C_6P005115 - WVW _ _ _ 3C_8P130434
Production Date: 9/1/2005 - 5/16/2008

CANADA

(Emden) **2006-2009 Passat/Passat CC**
WVW _ _ _ 3C_6E119726 - WVW _ _ _ 3C_9E519359
Production Date: 11/9/2005 - 9/1/2008

(Mosel) **2006 – 2007 Passat/Passat Wagon**
WVW _ _ _ 3C_6P047215 - WVW _ _ _ 3C_7P118748
Production Date: 07/27/2005 - 01/16/2007

NOTE: Check ElsaWeb on the day of repair to verify vehicle eligibility for this repair. This is the only valid campaign inquiry and verification source. Some vehicles may be involved in an additional action(s); any additional work can be done while the vehicle is in for this action.

Allocation Report of Affected Vehicles

Electronic allocation lists will be posted under My Dealership Reports on the VW Hub on or about April 16, 2010. A list will not be posted for dealers who have no affected vehicles.

Parts Information and Allocation

Parts were allocated for the previous RVUTB 97P4/Y5 and there will not be an additional allocation. If you have exhausted your allocated parts but have exceeded your weekly Upper Order Limit, please submit your requests

for additional parts via email to upperorderlimits@vw.com. If you have questions regarding parts, please contact the Parts Helpline at 800-767-6552.

Owner Notification Mailing

On or about April 16, 2010 the customer mailing will take place.

Service Action Expiration Date

This action expires on March 31, 2012. Vehicles inspected/repaired under this action must have this service completed before March 31, 2012 to be eligible for payment. **Inspections/repairs performed after March 31, 2012 will not be eligible for payment.** Dealers should keep this expiration date in mind when scheduling customers for this action.

Campaign Completion Labeling Guidelines

Vehicles repaired under this action must be identified with a campaign completion label (part number CAMP 010 000). Labels can be ordered at no cost online via the Compliance Label Ordering portal at www.vwclub.com.

Claim Entry Procedure

Immediately upon completion of the repair work, enter the Applicable Criteria ID and Repair Operation from the following chart. **The Applicable Criteria ID is shown in ElsaWeb.** Claims will only be paid for vehicles that show this campaign open in ElsaWeb on the day of the repair. To help ensure prompt and proper payment, attach the screen print to the repair order.

Saga Claim Entry Procedure

Check ElsaWeb to determine whether the "97R7" campaign is open.

Service No. : 97R7

Damage Code : 0099

Parts Manufacturer – Removed part: Use vendor code AUK

Sold vehicle = 7 10

Unsold vehicle = 7 90

Accounting Instructions

Criterion I.D. 01 - Front Wheel Drive Vehicles

- Check positive battery cable; NO FURTHER WORK REQUIRED

Repair operation: 0183 00 99 30 TU

-- OR --

- Check/replace positive battery cable

Repair operation: 9745 55 99 300 TU

<u>Qty</u>	<u>Part Number</u>	<u>Description</u>	<u>VIN Ranges</u>
1	1K0 253 141J	Exhaust clamp	-----
1	3C0 971 227C	Positive battery cable	Emden: MY 06 to 3C_8E199973 Mosel: MY 06 to 3C_8P118377
		OR	
1	3C0 971 227B	Positive battery cable	from 3C_8E199974 OR from 3C_8P118378

Criterion I.D. 02 - 4MOTION® Vehicles

- Check positive battery cable; NO FURTHER WORK REQUIRED

Repair operation: 0183 00 99 30 TU

-- OR --

- Check/replace positive battery cable

Repair operation: 9745 55 99 300 TU

<u>Qty</u>	<u>Part Number</u>	<u>Description</u>	<u>VIN Ranges</u>
1	3C0 971 227C	Positive battery cable	to 3C_8E199973 OR to 3C_8P118377
		OR	
1	3C0 971 227B	Positive battery cable	from 3C_8E199974 OR from 3C_8P118378 OR from 3C_9E500574

There is NO reimbursement for vehicle wash or vehicle loaner!

If customer refused repairs:

Fax repair order to VWoA at (248) 754-5093 and provide VIN, applicable Service Number, Customer Info, Dealer Number and Date.

Customer Letter Example (United States)

April 2010

**Subject: Service Action 97R7/T2
2009 Model Year Passat, Passat Wagon and CC 3.6L Vehicles
Inspect, and If Necessary, Replace Positive Battery Cable**

Dear Volkswagen Owner of VIN

At Volkswagen, we are proud to offer the very best of German engineering, and we work diligently to ensure that the quality of our vehicles continues to meet our customers' high expectations. Because we are dedicated to ensuring your continued satisfaction with your vehicle, we are writing to inform you that an update is available for your vehicle, and we would like to perform this update for you at no cost.

What is the problem?

The affected vehicles may have a positive battery cable that may corrode and, in rare cases, break. If this happens, the power supply may be disrupted and the vehicle cannot be started.

What will Volkswagen do?

At no cost to you, we will inspect and, if necessary, replace the positive battery cable in your vehicle.

When will the update be available?

Your authorized Volkswagen dealer has parts available now to inspect and, if necessary, update your vehicle. This inspection will take about one half-hour, and if repairs are needed they will take about four hours. Both the inspection and repair (if needed) will be free of charge. Your dealer can also address any other concerns you may have with your vehicle at this service visit.

This service action will only be available until March 31, 2012, and we encourage you to contact your authorized Volkswagen dealer and arrange for an appointment at your earliest convenience. Please keep in mind that your dealer may need additional time for the preparation of the update, as well as to accommodate their daily workshop schedule. Dealers will not be able to perform this update free of charge after March 31, 2012.

Lease Vehicles

If you are the lessor and registered owner of the vehicle identified in this action, please forward this information immediately via first-class mail to the lessee within ten (10) days of receipt of this notification.

Service help from us

If your authorized Volkswagen dealer fails or is unable to complete this work free of charge within a reasonable time, please call or write to:

Volkswagen of America, Inc.
Attn: Customer CARE Center – Hills East (97R7/T2)
3499 West Hamlin Road
Rochester Hills, MI 48309
1-800-893-5298

We regret any inconvenience this matter may cause. Thank you for driving a Volkswagen!

Sincerely,

Volkswagen Service & Quality

Customer Letter Example (Canada)

April 2010

**Subject: Service Action 97R7/T2
2009 Model Year Passat, Passat Wagon and Passat CC 3.6L Vehicles
Inspect, and If Necessary, Replace Positive Battery Cable**

Dear Volkswagen Owner of VIN

At Volkswagen, we are proud to offer the very best of German engineering, and we work diligently to ensure that the quality of our vehicles continues to meet our customers' high expectations. Because we are dedicated to ensuring your continued satisfaction with your vehicle, we are writing to inform you that an update is available for your vehicle, and we would like to perform this update for you at no cost.

What is the problem?

The affected vehicles may have a positive battery cable that may corrode and, in rare cases, break. If this happens, the power supply may be disrupted and the vehicle cannot be started.

What will Volkswagen do?

At no cost to you, we will inspect and, if necessary, replace the positive battery cable in your vehicle.

When will the update be available?

Your authorized Volkswagen dealer has parts available now to inspect and, if necessary, update your vehicle. This inspection will take about one half-hour, and if repairs are needed they will take about four hours. Both the inspection and repair (if needed) will be free of charge. Your dealer can also address any other concerns you may have with your vehicle at this service visit.

This service action will only be available until March 31, 2012, and we encourage you to contact your authorized Volkswagen dealer and arrange for an appointment at your earliest convenience. Please keep in mind that your dealer may need additional time for the preparation of the update, as well as to accommodate their daily workshop schedule. Dealers will not be able to perform this update free of charge after March 31, 2012.

Lease Vehicles

If you are the lessor and registered owner of the vehicle identified in this action, please forward this information immediately via first-class mail to the lessee within ten (10) days of receipt of this notification.

Service help from us

If your authorized Volkswagen dealer fails or is unable to complete this work free of charge within a reasonable time, please call or write to:

Volkswagen Canada
Attn: Customer CARE Center (97R7/T2)
P.O. Box 842, Stn. A
Windsor, ON N9A 9Z9
1-800-893-5298

We regret any inconvenience this matter may cause. Thank you for driving a Volkswagen!







Sincerely,

Volkswagen Service & Quality

The repair information in this document is intended for use only by skilled technicians who have the proper tools, equipment and training to correctly and safely maintain your vehicle. These procedures are not intended to be attempted by "do-it-yourselfers," and you should not assume this document applies to your vehicle, or that your vehicle has the condition described. To determine whether this information applies, contact an authorized Volkswagen dealer. ©2010 Volkswagen Group of America, Inc. and Volkswagen Canada Inc. All Rights Reserved.

If there are questions regarding the work procedure, contact the Campaign Helpline at 1-800-741-2919.

Required Tools

		<ul style="list-style-type: none"> • V.A.G 1383A Engine/Gearbox Jack with Universal Support Plate V.A.G 1359/2 (or equivalent) • V.A.G 1331 Torque Wrench 5-50Nm (or equivalent)
		<ul style="list-style-type: none"> • NRI81034A Under Hoist Stand/Screw Jack (or equivalent). Available through Equipment Solutions • V.A.G 1921 Hose Clamp Pliers
		<ul style="list-style-type: none"> • VAS 6254 Chain Pipe Cutter (or equivalent) • V.A.G 1523A Body Repair Saw (or equivalent)
		<ul style="list-style-type: none"> • T10038 Tensioning Straps (or equivalent) • T10096 Locating Pins
		<ul style="list-style-type: none"> • 80-200 Pry Lever (or equivalent) • T10236 Release Tool (or equivalent)
		<ul style="list-style-type: none"> • VAS 5051B • VAS 5052/A

The repair information in this document is intended for use only by skilled technicians who have the proper tools, equipment and training to correctly and safely maintain your vehicle. These procedures are not intended to be attempted by "do-it-yourselfers," and you should not assume this document applies to your vehicle, or that your vehicle has the condition described. To determine whether this information applies, contact an authorized Volkswagen dealer. ©2010 Volkswagen Group of America, Inc. and Volkswagen Canada Inc. All Rights Reserved.

Required Parts:

<u>Part Description</u>	<u>Part Number</u>	<u>Quantity</u>
Exhaust clamp (for Front-wheel drive only)	1K0 253 141J	1
Positive battery cable: Emden: MY 06 to 3C_8E199973 Mosel: MY 06 to 3C_8P118377	3C0 971 227C	1
OR		
Positive battery cable: Emden: from 3C_8E199974 Mosel: from 3C_8P118378 Emden: from 3C_9E500574	3C0 971 227B	1
Campaign completion label	CAMP 010 000	1



Tip: If Campaign Completion label is present, no further work is required

Section A – Check Part Number



Note: Because of the difference in the clip positioning points, different positive battery cables are needed for the vehicles

It is important to check the part number of the existing cable to determine which replacement cable is needed



- Unclip battery service cover on side trim
- ⇐ Check part number on the sticker -arrow-
- If part number is 3C0 971 227, then part number 3C0 971 227C must be installed
 - If part number is 3C0 971 227A, then part number 3C0 971 227B must be installed
 - If correct part number is currently installed, positive battery cable is not one that needs to be replaced, **WORK IS COMPLETE; otherwise, continue to Section B**

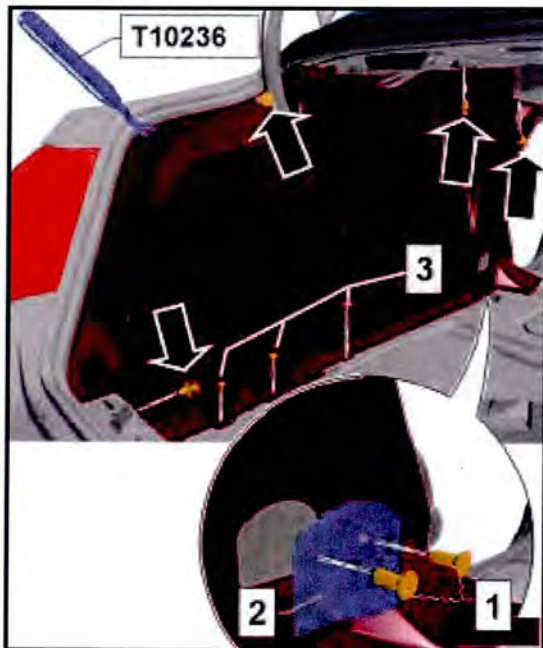
The repair information in this document is intended for use only by skilled technicians who have the proper tools, equipment and training to correctly and safely maintain your vehicle. These procedures are not intended to be attempted by "do-it-yourselfers," and you should not assume this document applies to your vehicle, or that your vehicle has the condition described. To determine whether this information applies, contact an authorized Volkswagen dealer. ©2010 Volkswagen Group of America, Inc. and Volkswagen Canada Inc. All Rights Reserved.

**Section B – Front Wheel Drive
and 4MOTION® Vehicles**

! Note: Positive battery cable is routed from trunk to engine compartment
On vehicles with front-wheel drive, the central and rear muffler and the heat shield must also be removed

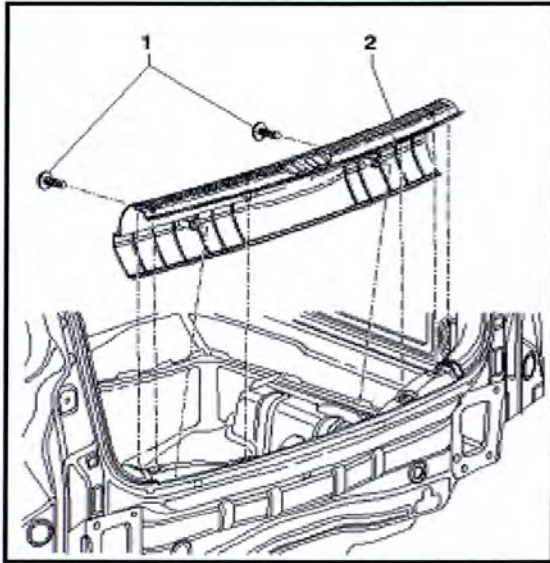
! **WARNING!**

- **Keep open flames and sparks away and DO NOT smoke near batteries!**
- **Avoid sparks when working with cables and electrical units**
- **Always reinstall battery positive (B+) or negative (-) terminal covers if removed during servicing**
- **Danger of injury! Always observe warning notes and safety precautions!**

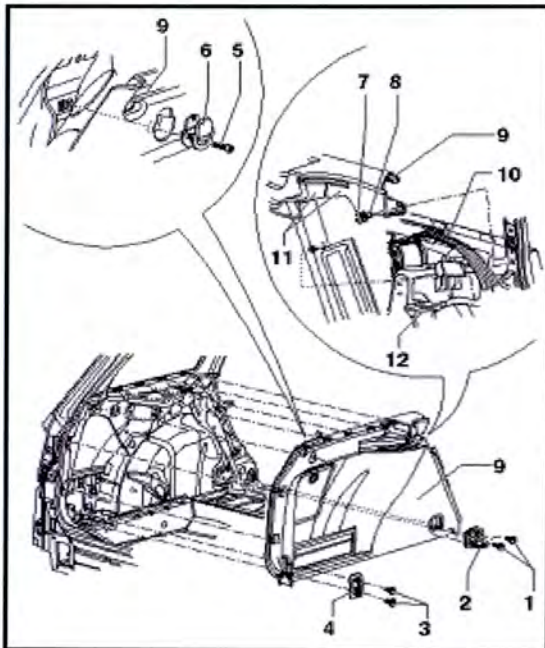


- ⇐ Remove two bolts -1- from bottom rear of side trim and remove anchor point -2-
- ⇐ Remove bolts -3-
- ⇐ Remove the four press buttons -arrows- using Release Tool – T10236, and remove trim from mounts in vehicle

(Wagon):



- ⇐ Remove two bolts -1-
- ⇐ Remove lock carrier cover -2- upward and out of lock carrier

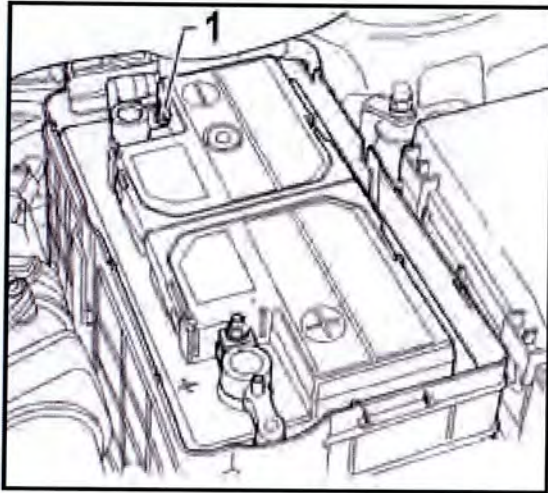


Tip: It is not necessary to completely remove interior trim

- ⇐ On left side of vehicle, remove two bolts -1- and remove tie down -2-
- ⇐ Remove two bolts -3- and tie down -4-
- ⇐ Remove bolt -5- and coat hook bracket -6-
- ⇐ Unscrew clamping pin -7- using a screwdriver with hex socket head (3mm) and remove expanding rivet -8-
- ⇐ Pull trim -9- inward out of retainers and slide out of way enough to gain access to positive battery cable



Tip: Before disconnecting battery, disable the alarm



WARNING!

Negative battery cable must be disconnected first to prevent triggering Pyrotechnic Battery Isolator

Triggering the Pyrotechnic Battery Isolator is not covered under this action

- Switch off ignition and all electric consumers and remove ignition key
- ⇐ Unscrew battery terminal of ground cable -1- on the negative battery terminal

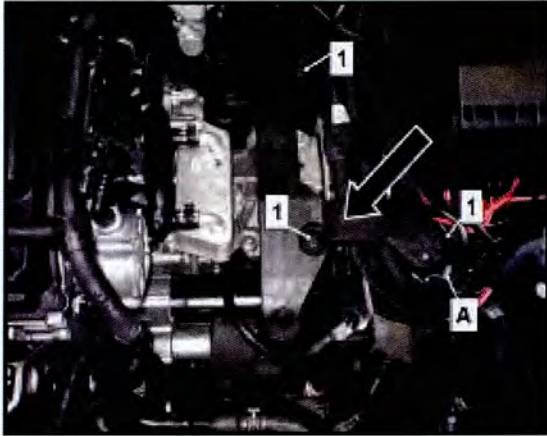


- ⇐ Open cap of the fuse box and remove retaining nut -circle- for the positive battery cable



- ⇐ Disconnect Mass Air Flow Sensor -1-
- ⇐ Loosen clamp -2- using tool V.A.G 1921 hose clamp pliers or equivalent
- ⇐ Remove screws -3- and remove air filter housing and air intake ductwork from vehicle

The repair information in this document is intended for use only by skilled technicians who have the proper tools, equipment and training to correctly and safely maintain your vehicle. These procedures are not intended to be attempted by "do-it-yourselfers," and you should not assume this document applies to your vehicle, or that your vehicle has the condition described. To determine whether this information applies, contact an authorized Volkswagen dealer. ©2010 Volkswagen Group of America, Inc. and Volkswagen Canada Inc. All Rights Reserved.



⇐ Remove air filter box carrier -arrow- by removing screws -1-

⇐ Disconnect harness from carrier -A-



- Pull back rubber boot from starter motor and disconnect cable and connector

- Remove rubber boot from wiring loom

- Unclip positive battery cable on the side member



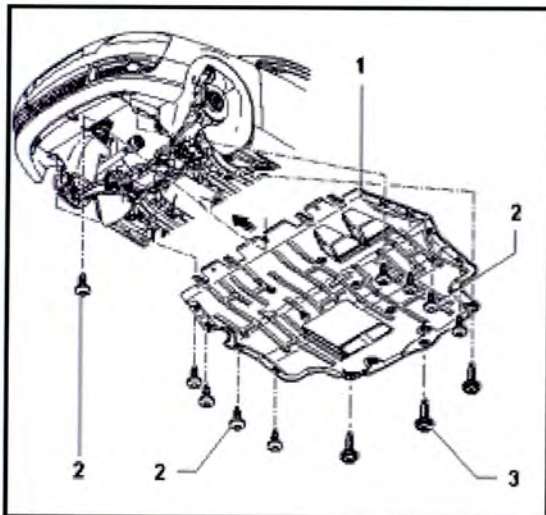
⇐ Open cap of jump start junction block and remove retaining nut for the positive cable -arrow-



- Raise vehicle on hoist to a comfortable level
- Loosen and fold back wheel well liner to expose the positive battery cable
- Loosen grommet for positive battery cable and pull cable out of trunk area



⇐ Remove sound dampening trim (pictured) on driver side to expose positive battery cable



⇐ Remove noise insulation cover -1- by removing screws -2- and -3- (if equipped)



- Install special tool T10038 (or equivalent) on driver side rear and passenger side rear to secure vehicle on hoist



WARNING!

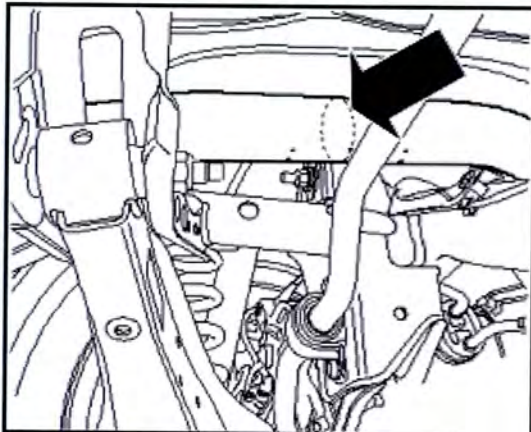
Failure to properly support vehicle when the rear axle is disconnected may cause an imbalance in vehicle weight and cause vehicle to fall off of hoist!



Tip: Placing under hoist stands (or equivalent) on the front end of vehicle, as pictured, can also be used as a substitute to support the vehicle and prevent an imbalance in vehicle weight when rear axle is disconnected

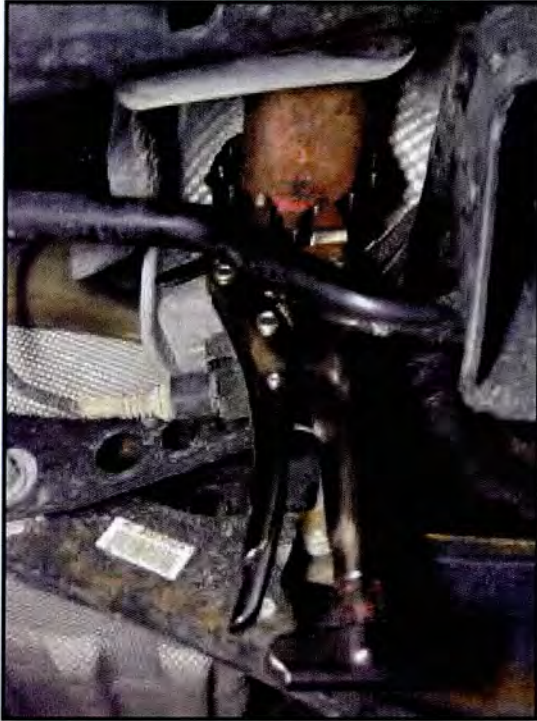
- If vehicle is front wheel drive, **proceed to Section C**
- If vehicle is 4MOTION[®], **proceed to Section D**

Section C – Front Wheel Drive Vehicles



Tip: For removal/installation and individual replacement of central and rear muffler, a cutting line is identified on connection pipe between center and rear muffler

- ← Cutting line is marked by an indentation on the pipe. Mark cutting line with chalk -arrow-



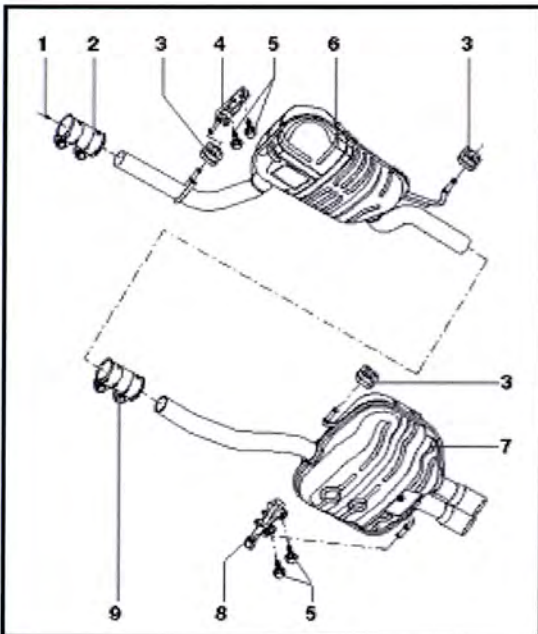
⚠ WARNING!

Wear goggles and protective clothes to avoid injuries from metal debris

- Cut off exhaust pipe at a right angle on the cutting line using pipe cutter VAS 6254 or saw V.A.G 1523 A (or equivalent)



Tip: Do not use torch or similar equipment to cut exhaust pipe



- ⇐ Remove rear exhaust -7- by removing bolts -5- for exhaust hanger -8- and disconnect from retaining loop -3-



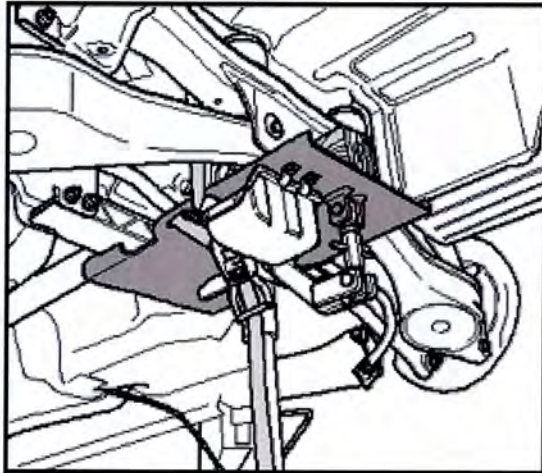
Tip: Lubricate retaining loops -3- prior to removal in order to prevent damage

Damage to retaining loops is not covered by this action

- ⇐ Remove center exhaust -6- by loosening clamp -2- and bolts-5- for exhaust hanger and disconnect from retaining loop -3-

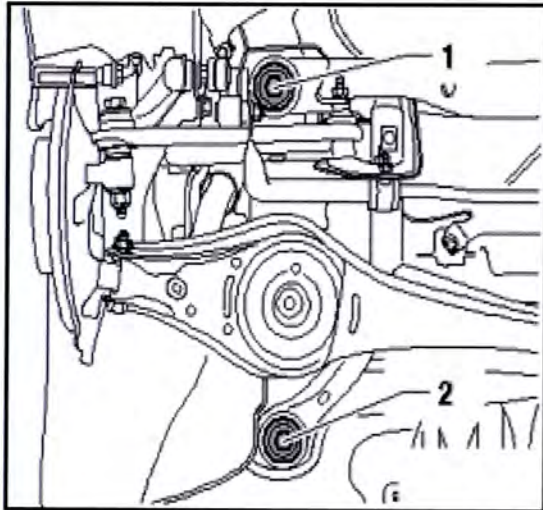


Tip: Remove rear cross member to aid in removal of center exhaust



- Support rear axle with an engine/transmission jack V.A.G 1383 A with universal support plate V.A.G 1359/2 below subframe and secure with strap

Note: Only one side of vehicle is shown, for illustrative purposes only

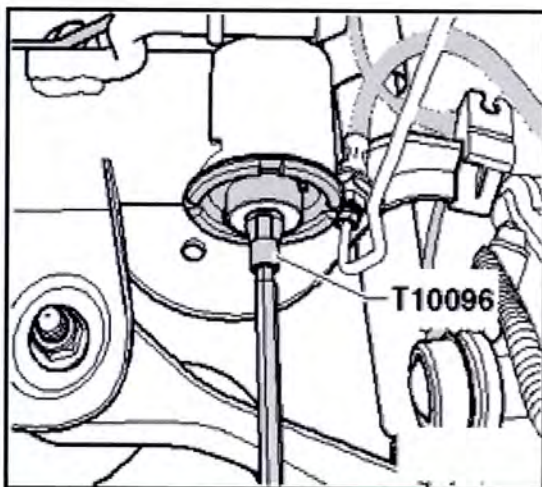


- ⇐ One at a time, remove bolts from positions -1- and -2- on rear subframe and install locating pins T10096 and torque pins to 20 Nm

- ⇐ Perform same on opposite side

Tip: DO NOT DISCARD bolts, as they will be reused

Note: Locating pins T10096 may only be tightened to a maximum of 20 Nm; otherwise, damage will occur to threads of locating pins



Note: Locating pin T10096 properly installed with taper side down prevents misalignment of subframe to body


- Position of subframe is now secured
- Lower subframe slightly to allow enough working room for heat shield removal

The repair information in this document is intended for use only by skilled technicians who have the proper tools, equipment and training to correctly and safely maintain your vehicle. These procedures are not intended to be attempted by "do-it-yourselfers," and you should not assume this document applies to your vehicle, or that your vehicle has the condition described. To determine whether this information applies, contact an authorized Volkswagen dealer. ©2010 Volkswagen Group of America, Inc. and Volkswagen Canada Inc. All Rights Reserved.



⇐ Detach bolt -1- from the securing strap and remove retaining clips -arrows-


- Carefully pull heat shield for the center muffler forward and remove it

 Note: Do not damage or distort heat shield for center muffler



- Remove positive battery cable



 Tip: For easier installation, tie together the front part of the cable (before the Y-piece) with a zip tie and remove rubber grommet



- Carefully route the new positive battery cable via the rear axle



WARNING!

Make sure the fiberglass-reinforced area
-arrow- does not get damaged



- Push cable through opening in the trunk and position it on the side member
- Reinstall wheel well liner
- Clip cable in the rear axle area and route it according to its original course



Tip: Use tool number 80-200 pry lever (or equivalent) to clip battery cable clips properly in place



- Carefully reinstall center muffler heat shield
- ⇐ Reinstall bolt -1- for the securing strap and retaining clips -arrows-



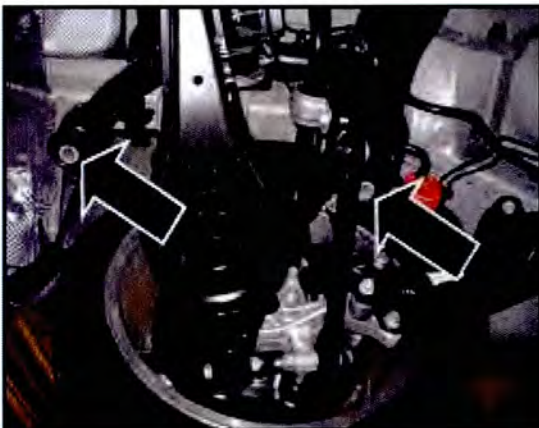
⚠ Note: Contrary to the specifications in the repair manual, the bolts on the subframe and fuel tank **can be reused** in this action

Reuse of these bolts is only permitted for Service Action Campaign 97R7!

- ⇐ Use a permanent marker or paint pen to mark the subframe bolts with an "X", as pictured

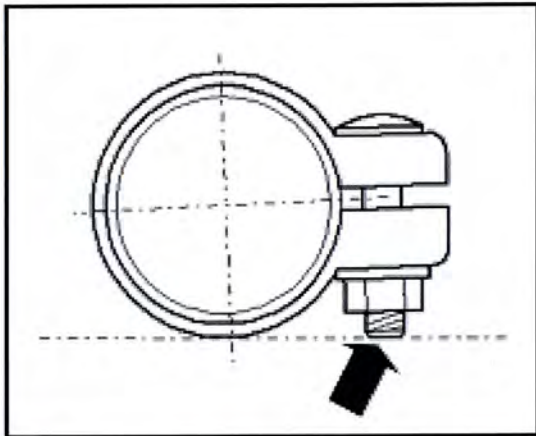
⚠ Note: Bolts marked with an "X" indicates that they have been reused one time and should not be reused again

Replacement of bolts marked with an "X" is not covered under this action

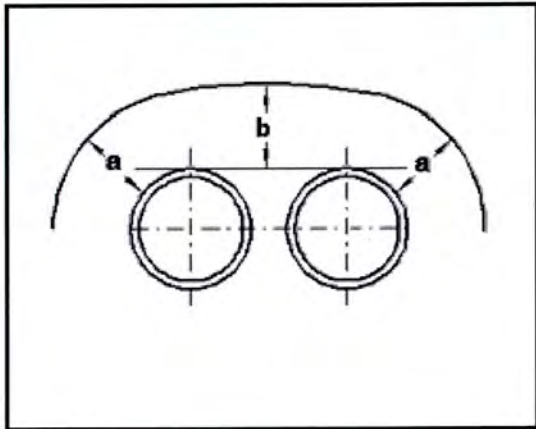


- Raise rear subframe
- ⇐ One at a time, remove locating pins T10096 and reinstall subframe bolts -arrows-
- Perform same on opposite side
 - Torque bolts 90 Nm + 90° turn
 - Remove engine and transmission jack V.A.G 1383 A (or equivalent)

The repair information in this document is intended for use only by skilled technicians who have the proper tools, equipment and training to correctly and safely maintain your vehicle. These procedures are not intended to be attempted by "do-it-yourselfers," and you should not assume this document applies to your vehicle, or that your vehicle has the condition described. To determine whether this information applies, contact an authorized Volkswagen dealer. ©2010 Volkswagen Group of America, Inc. and Volkswagen Canada Inc. All Rights Reserved.

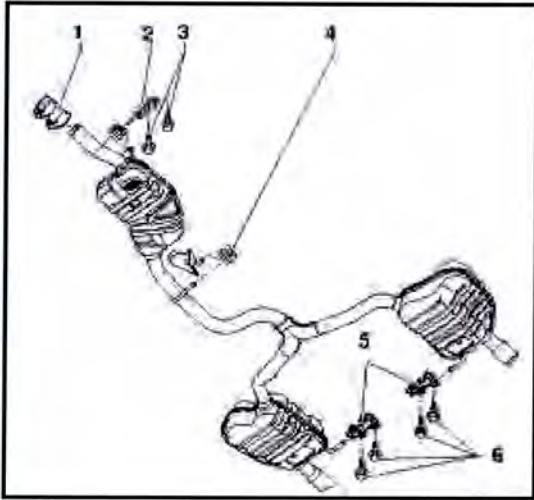


- Reinstall center and rear exhausts
- ⇐ Fit dual clamping sleeves in such a way that the screw end -arrow- does not protrude over lower edge of clamping sleeve, then torque to M8 = 25 Nm and M10 = 40 Nm



- ⇐ Align rear exhaust system so that distance -a- right and left are equal; then, **proceed to Section E**

Section D – 4MOTION® Vehicles



Tip: Install tie wrap or equivalent to front part of exhaust to prevent it from falling when exhaust is disconnected
Support rear exhaust using engine and transmission jack V.A.G 1383 A (or equivalent)

- ⇐ Loosen two nuts for exhaust clamp -1- and slide clamp forward
- ⇐ Unbolt front exhaust hanger -2- by removing bolts -3-
- ⇐ Disconnect exhaust retaining loop -4- from exhaust
- ⇐ Unbolt rear exhaust hangers -5- by removing bolts -6- and lower rear exhaust from vehicle

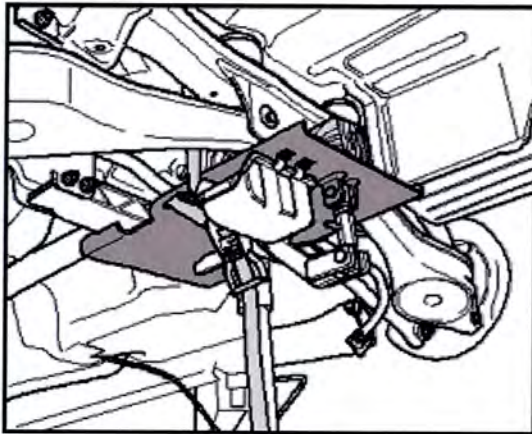


WARNING!

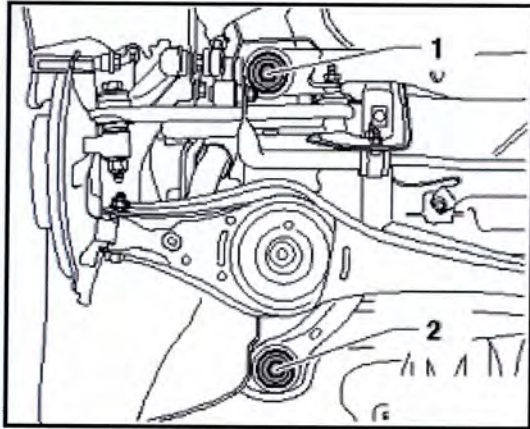
Flex joints of front exhaust pipes must not be bent more than 20 degrees – danger of damage

A second technician is required for removal

Damage to exhaust components are not covered under this action



- Support rear axle with an engine/transmission jack V.A.G 1383 A, with universal support plate V.A.G 1359/2 below subframe and secure with strap



Note: Only one side of vehicle is shown, for illustrative purposes only

⇐ One at a time, remove bolts from positions -1- and -2- on rear subframe and install locating pins T10096, then torque pins to 20 Nm

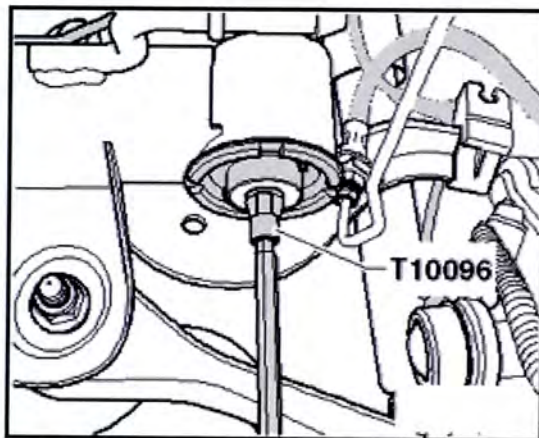
⇐ Perform same on opposite side

Tip: DO NOT DISCARD bolts, as they will be reused

Note: Locating pins T10096 may only be tightened to a maximum of 20 Nm; otherwise, damage will occur to threads of locating pins

Note: Locating pin T10096 properly installed with taper side down prevents misalignment of subframe to the body

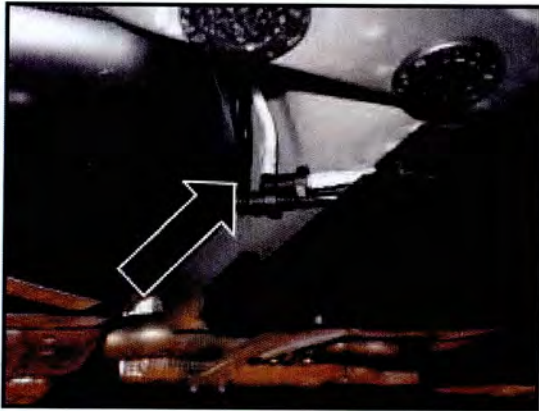
- Position of subframe is now secured
- Lower rear subframe 60-65 mm to allow access to battery cable hold down on driver side rear



WARNING!

Do not lower subframe greater than 65 mm or damage to center heat shield and drive line may occur

Damage to these components are not covered under this action



- Support fuel tank with engine and transmission jack, V.A.G 1383 A (or equivalent)

⇐ Unclip the fuel lines -arrow-



- Detach fuel tank securing strap on driver side and loosen strap on passenger side to allow fuel tank to lower slightly



⇐ Unclip corrugated harness -arrow- (cable for regulator motor of brake caliper housing)



Tip: To aid in removal of original cable, cut in location pictured

- Disconnect battery cable hold-downs and remove positive battery cable



Tip: For easier installation, tie together the front part of the cable (before the Y-piece) with a zip tie and remove rubber grommet



- Carefully route new positive battery cable via the rear axle



Note: Do not damage the fiberglass reinforced area -arrow-




- Push cable through opening in trunk and position it on the side member
- Clip cable in rear axle area
- Reinstall wheel well liner


The repair information in this document is intended for use only by skilled technicians who have the proper tools, equipment and training to correctly and safely maintain your vehicle. These procedures are not intended to be attempted by "do-it-yourselfers," and you should not assume this document applies to your vehicle, or that your vehicle has the condition described. To determine whether this information applies, contact an authorized Volkswagen dealer. ©2010 Volkswagen Group of America, Inc. and Volkswagen Canada Inc. All Rights Reserved.



- Route cable along brake lines, corrugated harness and fuel tank

 Note: Take care when routing cable along brake lines. Damage to brake lines not covered under this action



 Tip: Use tool number 80-200 pry lever (or equivalent) to clip battery cable clips properly in place



- Route cable according to its original routing and clip properly in place

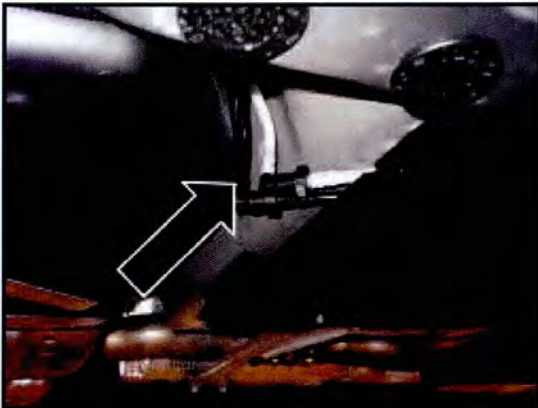


- Raise fuel tank back into position and reattach fuel tank securing strap on passenger side and driver side
- Remove engine and transmission jack V.A.G 1383 A (or equivalent)

The repair information in this document is intended for use only by skilled technicians who have the proper tools, equipment and training to correctly and safely maintain your vehicle. These procedures are not intended to be attempted by "do-it-yourselfers," and you should not assume this document applies to your vehicle, or that your vehicle has the condition described. To determine whether this information applies, contact an authorized Volkswagen dealer. ©2010 Volkswagen Group of America, Inc. and Volkswagen Canada Inc. All Rights Reserved.



⇐ Secure corrugated harness -arrow- (cable for regulator motor of brake caliper housing) back into position



⇐ Clip fuel lines -arrow- back into place



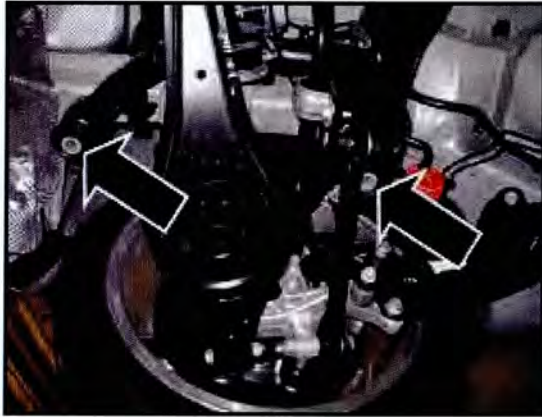
ⓘ Note: Contrary to the specifications in the repair manual, the bolts on the subframe and fuel tank **can be reused** in this action

Reuse of these bolts is only permitted for Service Action Campaign 97R7!

- Use a permanent marker or paint pen to mark the subframe bolts with an "X", as pictured

ⓘ Note: Bolts marked with an "X" indicates that they have been reused one time and should not be reused again

Replacement of bolts marked with an "X" is not covered under this action



- Raise rear subframe
- ⇐ One at a time, remove locating pins T10096 and install new subframe bolts -arrows-
- Perform same on opposite side, then torque bolts 90 Nm + 90° turn
- Remove engine and transmission jack V.A.G 1383 A (or equivalent)

- Raise rear exhaust back into position

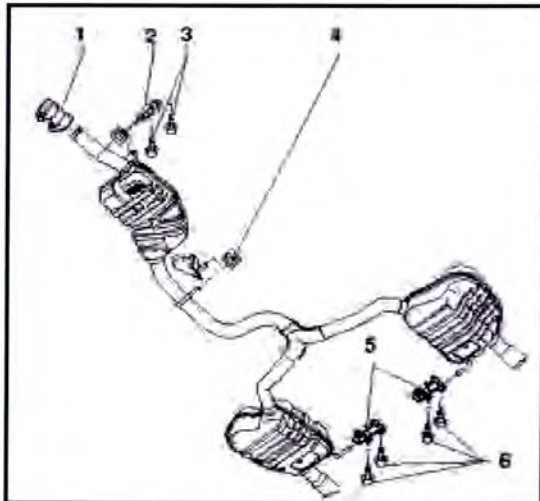


WARNING!

Flex joints of front exhaust pipes must not be bent more than 20 degrees – danger of damage

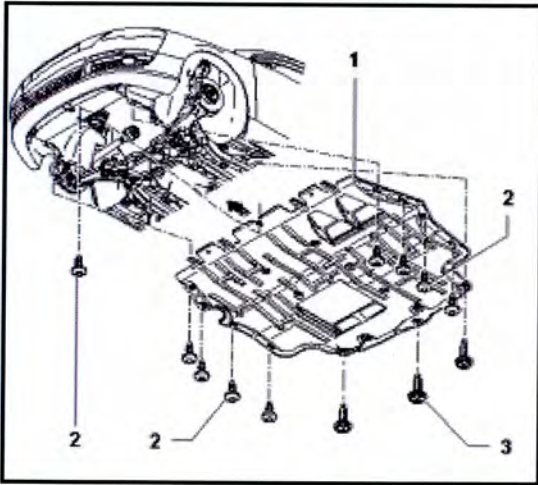
A second technician is required for removal

Damage to exhaust components are not covered under this action



- ⇐ Bolt rear exhaust hangers -5- by installing bolts -6- and torque to 25 Nm
- ⇐ Reconnect exhaust retaining loop -4- to exhaust
- ⇐ Bolt front exhaust hanger -2- by reinstalling bolts -3- and torque to 25 Nm
- ⇐ Reposition clamp properly into position, then torque the two nuts for exhaust clamp -1- to M8 = 25 Nm and M10 = 40 Nm

Section E – All Vehicles



⇐ Reinstall noise insulation cover -1- by installing screws -2- and torque to 2 Nm

⇐ Reinstall screws -3- (if equipped) and torque to 6 Nm



⇐ Reinstall sound dampening trim (pictured) on driver side

- Remove special tool T10038 (or equivalent), if previously installed
- Remove transmission jacks from front of vehicle, if previously installed
- Lower vehicle on hoist



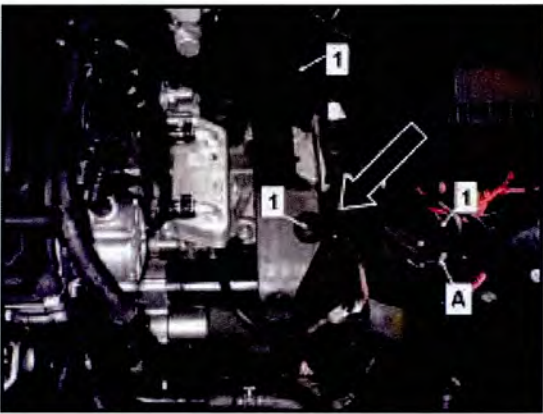
- Clip T-fitting into side member



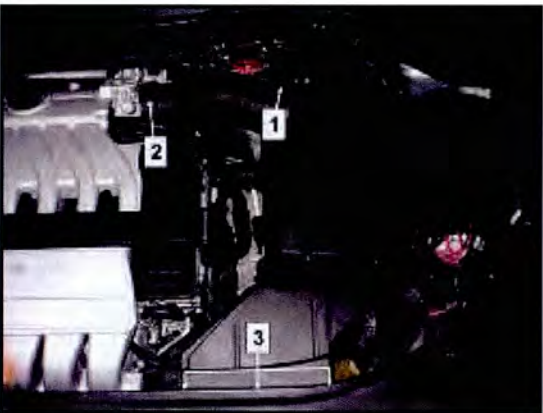
- Install rubber grommet for starter motor on the positive battery cable
- Install cable on starter motor and torque to 15 Nm
- Reinstall connector on starter



- ⇐ Install cable and retaining nut onto position 1 -arrow- and torque to 15 Nm
- Close cap of the jump start junction block



- ⇐ Reinstall air filter box carrier -arrow- and screws -1- and torque to 10 Nm
- ⇐ Reconnect harness onto carrier -A-



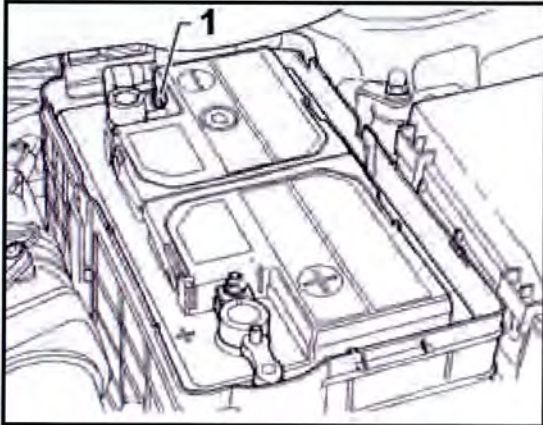
- ⇐ Reinstall air filter housing and duct work and reinstall screws -3- and torque to 5 Nm
- ⇐ Reinstall clamp -2- using tool V.A.G 1921 hose clamp pliers (or equivalent)
- ⇐ Reconnect Mass Air Flow Sensor -1-

The repair information in this document is intended for use only by skilled technicians who have the proper tools, equipment and training to correctly and safely maintain your vehicle. These procedures are not intended to be attempted by "do-it-yourselfers," and you should not assume this document applies to your vehicle, or that your vehicle has the condition described. To determine whether this information applies, contact an authorized Volkswagen dealer. ©2010 Volkswagen Group of America, Inc. and Volkswagen Canada Inc. All Rights Reserved.

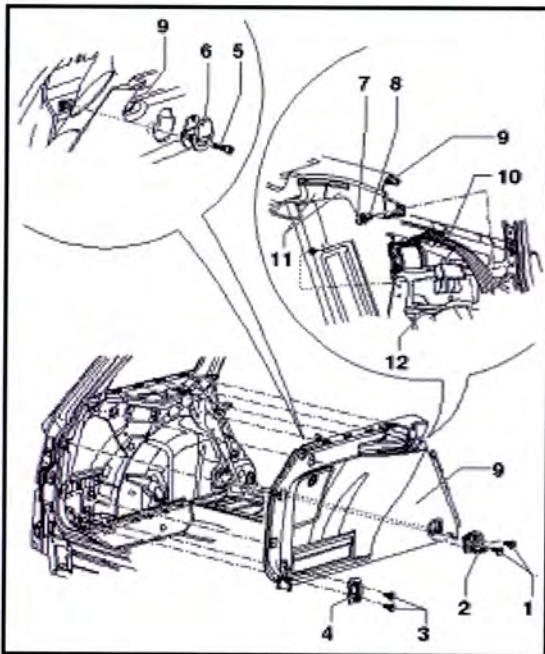


⇐ Route battery cable properly into position and install retaining nut -circle- for positive battery cable and torque to 15 Nm

- Close cap of fuse box

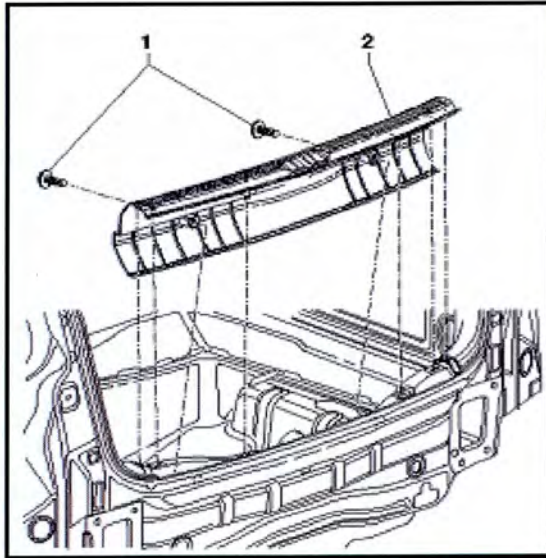


⇐ Reconnect battery terminal of ground cable -1- on negative battery terminal and torque to 6 Nm



(Wagon):

- ⇐ Pull trim -9- inward and back into position
- ⇐ Reinstall expanding rivet -8- and reinstall clamping pin -7- using screwdriver with hex socket head (3mm)
- ⇐ Reinstall coat hook bracket -6- and bolt -5- and torque to 4.5 Nm
- ⇐ Reinstall tie down -4- and two bolts -3- and torque to 6 Nm
- ⇐ Reinstall tie down -2- and two bolts -1- and torque to 6 Nm
- Replace battery service cover



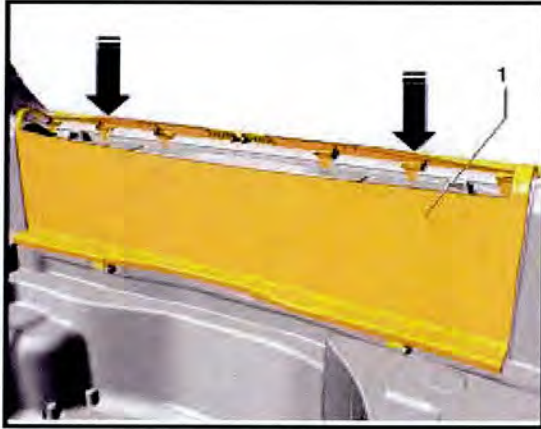
- ⇐ Reinstall lock carrier cover -2- downward and onto lock carrier
- ⇐ Reinstall the two bolts -1- and torque to 1.5 Nm

(Sedan):



- ⇐ Reinstall side trim and the four press buttons -arrows-
- ⇐ Reinstall bolts -3- and torque to 1.5 Nm
- ⇐ Reinstall anchor point -2- and two bolts -1- on bottom rear of side trim and torque to 6 Nm
- Replace battery service cover

The repair information in this document is intended for use only by skilled technicians who have the proper tools, equipment and training to correctly and safely maintain your vehicle. These procedures are not intended to be attempted by "do-it-yourselfers," and you should not assume this document applies to your vehicle, or that your vehicle has the condition described. To determine whether this information applies, contact an authorized Volkswagen dealer. ©2010 Volkswagen Group of America, Inc. and Volkswagen Canada Inc. All Rights Reserved.



← Reinstall lock carrier cover -1- downward and onto lock carrier

(All Vehicles):

- Reinstall spare wheel and vehicle tool kit mount
- Reinstall floor covering into vehicle

Section F – Work Steps After Connecting Battery



Note: After connecting battery and switching on ignition, the ASR/ESP Control Lamp -K155- and Electro-mechanical Power Steering Indicator Lamp light up continuously

Control lamps go out automatically when vehicle is driven a distance straight ahead at 15 to 20 km/h which reactivates Steering Angle Sensor -G85-

- Switch on ignition using ignition key or start button and switch off again
- Read DTC memory and clear faults
- Clock: Check clock time setting; set anew if necessary
- Electrical window regulators:
 - Open and close windows to each end stop respectively
 - With window closed, pull switch until relay switches audibly
 - Check comfort switching of power window. While comfort switching is operated, window must close without holding the switch
- Generating readiness is not necessary

Campaign Completion

SAGA CODE:

DLR #:

REPAIR DATE:

CAMP 010 000

← Fill out and affix Campaign Completion label, part number CAMP 010 000, next to the vehicle emission control information label



Tip: Ensure Campaign Completion label does not cover any existing label(s)

Section G – Parts Return/Disosal

- Properly destroy and dispose of removed parts in accordance with all state/local/provincial requirements

ALL WORK IS COMPLETE