

 iKNOW International® Knowledge Now	IK2200060 Revision: 1.00 Created: 01/24/08 Major System: BUS BODY IFB
--	---

[Copy link to Clipboard](#)[Print](#)

Was this document helpful?

 Yes**Title:**

Bus, Passenger Window Plastic Guide

Applies To:

BE, CE, FE and RE Bus Models

DESCRIPTION

Passenger split sash windows that are hard to slide and exhibit latching issues may have the plastic slide broken loose and out of position causing the window to bind.

SYMPTOMS

- Windows that are hard to slide up and down
- Windows that appear to be out of square
- Windows that only latch on one side

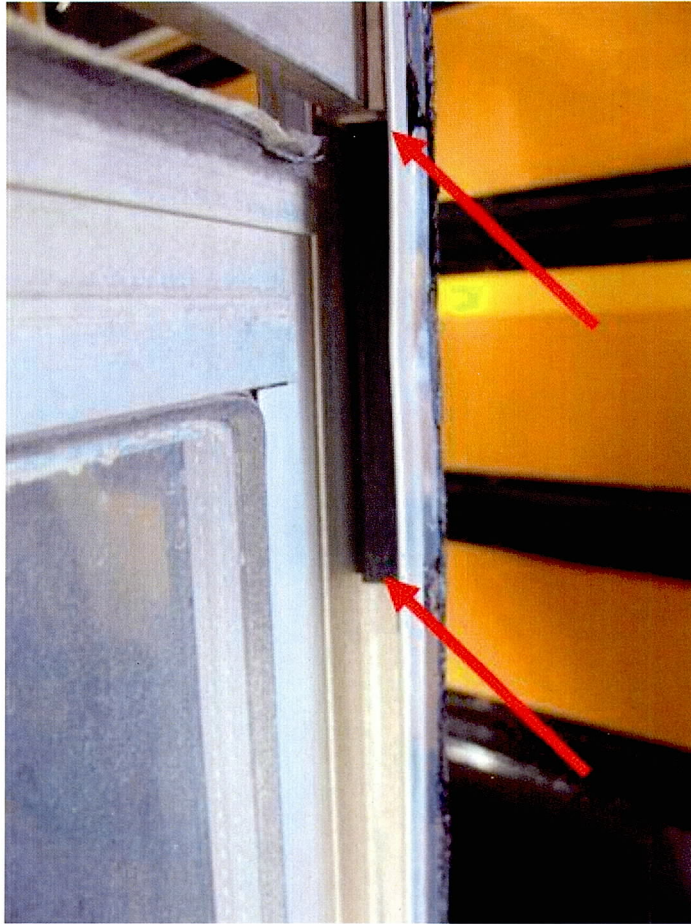
PARTS INFORMATION

Refer to International Parts Catalog Online for specific window component replacement part numbers.

TROUBLESHOOTING

In some cases, visual inspection of the split sash track will allow you to see the plastic guide protruding out past the bottom of the split sash.

SB-10032287-1855



Above photo shows the plastic guide protruding out the bottom of the sliding sash.

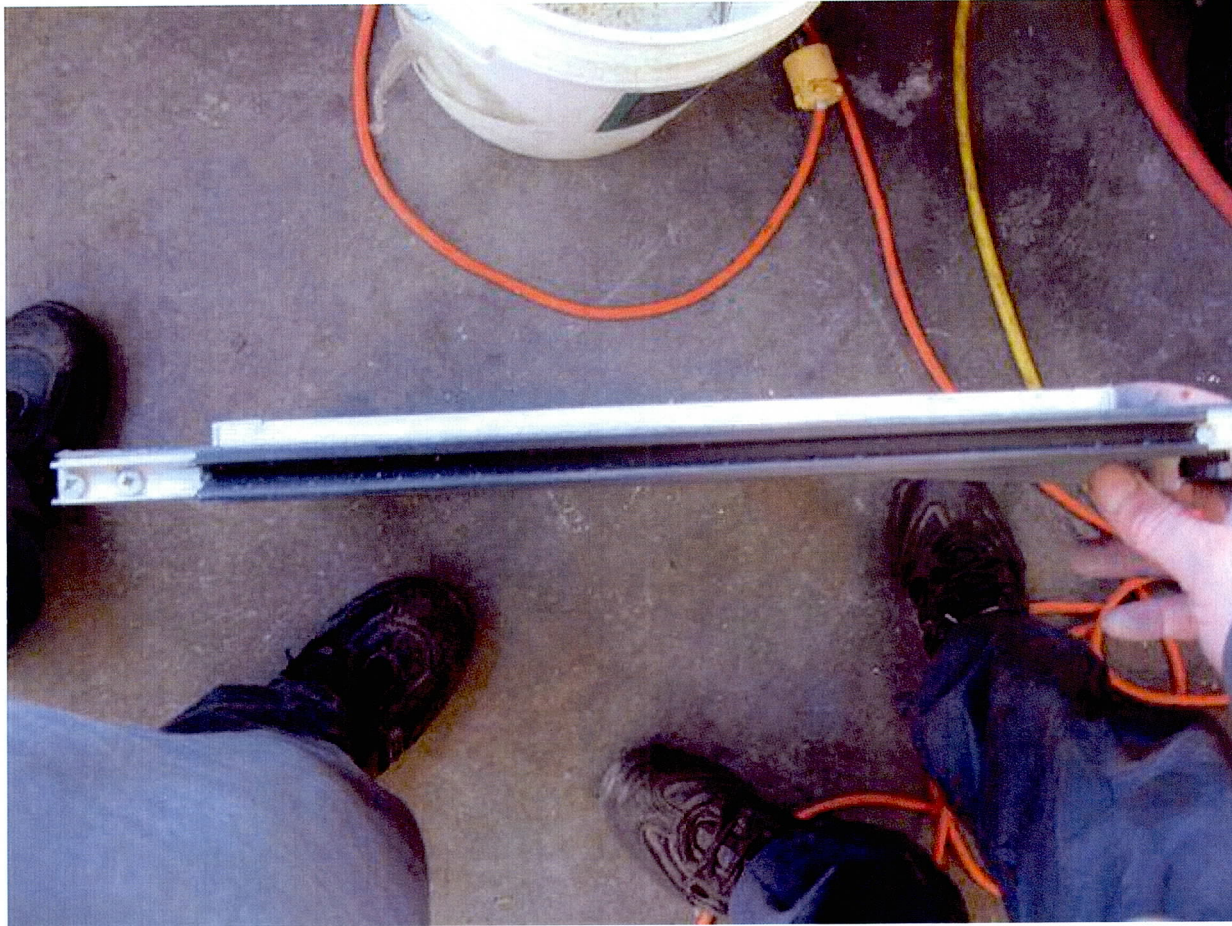
RESOLUTION

Remove window assembly. Disassemble window frame and remove the sliding sash.

SB-10032287-1855



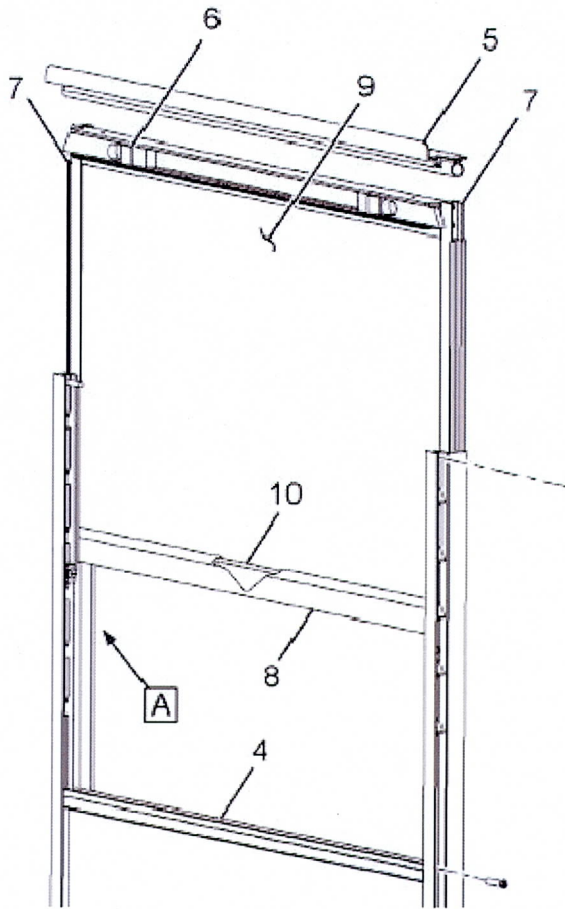
Above photo shows the plastic guide loose and out of position.

SB-10032287-1855

Above photo shows the plastic guide in the correct position.

The plastic guide is bonded to the side extrusion using a resin formula during the extrusion production. Replacement of the extrusion is recommended to ensure proper window clearance. In the diagram below, the side extrusion is item 7 as shown in the International Parts Catalog Online.

SB-10032287-1855



Copyright © 2007 International Truck and Engine Corporation

IK2200060