



# Service Bulletin

File in Section: -

Bulletin No.: PI0690A

Date: September, 2012

## PRELIMINARY INFORMATION

**Subject:** MIL Illuminated, DTCs P0961, P0965, P0969, P2762 and Battery Has Been Relocated

**Models:** 2010-2012 Chevrolet Express  
2010-2012 GMC Savana  
Equipped with 6L90 Automatic Transmission (RPO MYD)

This PI is being revised to add the 2010 model year. Please discard PI0690.

### Condition/Concern

Some customers may comment on erratic transmission shifting and an illuminated MIL. Technicians may find DTCs P0961, P0965, P0969 or P2762 as history or active DTCs.

Typically three or all four of these DTCs will be set at the same time.

### Recommendation/Instructions

These transmission DTCs are likely the result of improper battery grounding.

Inspect the vehicle for the location of the battery. If the battery has been removed from the underhood location and relocated, inspect the battery ground.

Grounding cannot be done through the frame rail. The battery must be grounded directly to the engine.

Proper battery grounding must be re-established by either relocating the battery to the original underhood location or by modifying the remote battery ground wiring.

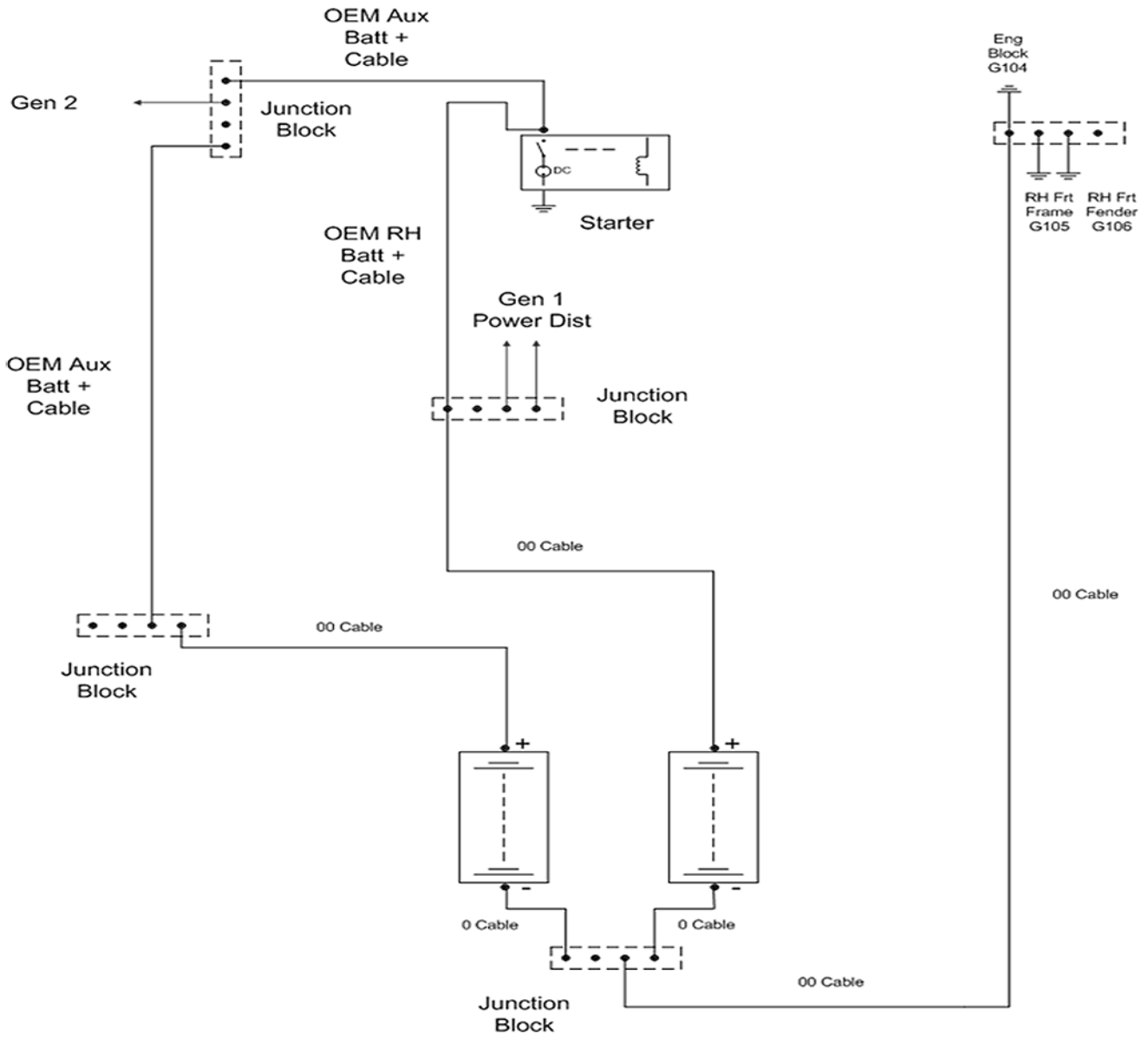
Relocate the battery to the OE underhood location and re-establish the original power and ground connections for both the battery, ground cable and power cable.

### OR

Revise battery grounding following these steps:

1. Remove any ground connections between the battery/batteries and the frame rail.
2. Install an isolated ground stud underhood at or near the original battery location.
3. Install new, 00 Gage or larger ground cable from the remote battery/batteries to the new, isolated ground stud underhood.
4. Connect the original, underhood battery ground cable to the new isolated ground stud. Ensure that all original ground cable connections (G104, G105, G106) are secure. Or, connect new 0 Gage or larger ground cable from the new isolated ground stud to G104, G105 and G106 ground locations. Refer to SI Master Electrical Component List for the location of these ground points.
5. Ensure that G103 at the rear of the LH engine head has a clean and tight connection.

After correcting the electrical grounding, inspect the condition of the transmission oil. If the oil is in good condition (red in color) and does not have a burned odor, clear any DTCs and drive the vehicle. If there are no issues, return the vehicle to the customer. If the transmission oil is distressed or if the drive audit shows a transmission concern, remove the transmission oil pan to inspect for excessive clutch material in the pan. Disassemble the transmission and repair as necessary.



2778341

## Warranty Information

Repairs to the grounding system, when the batteries have been relocated by the bus upfitter, are not warranty. Please contact the bus upfitter for directions on submitting a claim for the grounding corrections.