



Service Bulletin

File in Section: -

Bulletin No.: PIC5737

Date: September, 2012

PRELIMINARY INFORMATION

Subject: Unidentified Plastic Trim Found In Trunk During PDI Process

Models: 2013 Cadillac ATS

The following diagnosis might be helpful if the vehicle exhibits the symptom(s) described in this PI.

Condition/Concern:

In the bag of dealer-installed parts found in the rear compartment, the PDI technician may report finding two pieces of black plastic trim with no instructions on what they are or where they should be installed.

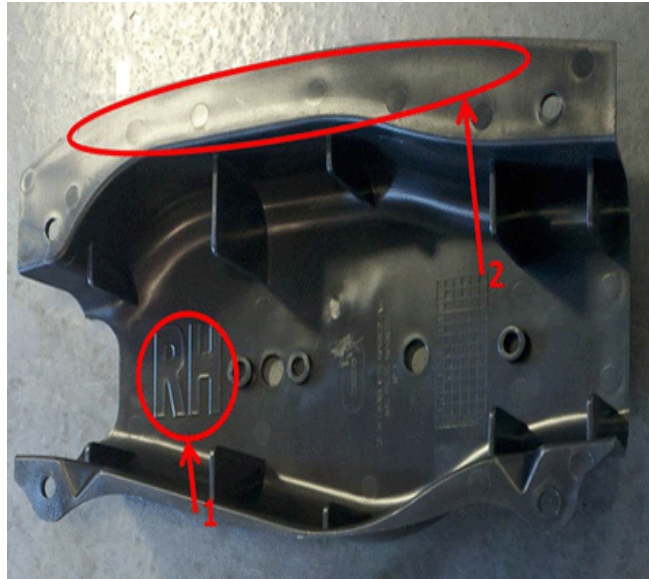


2910491

These two items are deflectors to be installed on the bottom of the rear Lower Control Arm (LCA) assemblies. Each is marked for the appropriate side on which it should be installed, either RH or LH.

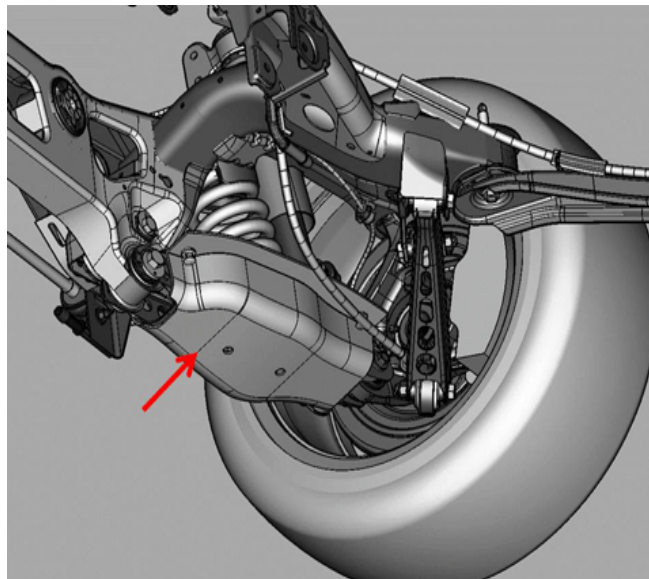
Recommendation/Instructions:

Install the deflectors as follows:



2910489

1. Note that each piece has its location molded into it (1), either "RH" for Right Hand or "LH" for Left Hand. They also have a larger fin or lip (2) on one side of the deflector. This larger fin (2) should face forward in relation to the car.
2. Place the deflector on the LCA and start by tucking the forward, outboard corner above the park brake cable, then install the four pushpin fasteners included in another package within the trunk. Be sure to push fasteners through both the shield and the control arm to fasten.



2910490

3. Repeat for the opposite side.

Please follow this diagnostic or repair process thoroughly and complete each step. If the condition exhibited is resolved without completing every step, the remaining steps do not need to be performed.