

# TECHNICAL BULLETIN

UPS4512-2bNAS1

26 OCT 2012



THIS UPDATE PRIOR TO SALE NOTICE IS VALID FOR A LIMITED TIME ONLY  
AND WILL EXPIRE ON 08 APRIL 2013

## SECTION: 418

### Update Prior to Sale: Engine Bay Harness

#### AFFECTED VEHICLE RANGE:

XJ (X351)

VIN: **Specific vehicles only; see attached list**  
Model Year: **2013**

#### CONDITION SUMMARY:

**Situation:** A limited number of 2013 model year XJ vehicles have been manufactured away from process and the engine bay harness may come into contact with the right-hand suspension tower.

**Action:** Retailers are required to **HOLD** all affected vehicles in the above VIN range that are in their control and refrain from releasing the vehicles for new or used vehicle sale pending completion of the rework action detailed in this Technical Bulletin.

#### PARTS:

△ **NOTE:** Retailers will receive a direct shipment of the required tape.

#### TOOLS:

Refer to Workshop Manual for any required special tools

#### WARRANTY:

△ **NOTE:** Repair procedures are under constant review, and therefore times / prices are subject to change; those quoted here must be taken as guidance only. Always refer to DDW to obtain the latest repair time. Check DDW to ensure that the vehicle is affected by this Service Action prior to undertaking any rework action. At the time of confirming a booking for vehicle repair, ensure that all outstanding Service Actions are identified to ensure the correct parts are available and adequate workshop time is allocated for repairs to be completed at one visit.

Warranty claims must be submitted quoting Program Code 'K146' together with the relevant Option Code from the table. The SRO and part information listed have been included for information only. The Option Code(s) that allows for the drive in / drive out allowance can only be claimed if the vehicle is brought back into the workshop for this action alone to be undertaken.

This Update Prior to Sale notice is valid for a limited time only. Warranty claims with a repair date prior to the **08 April 2013** closure date must be submitted for payment within 30 calendar days of completion of the repair.

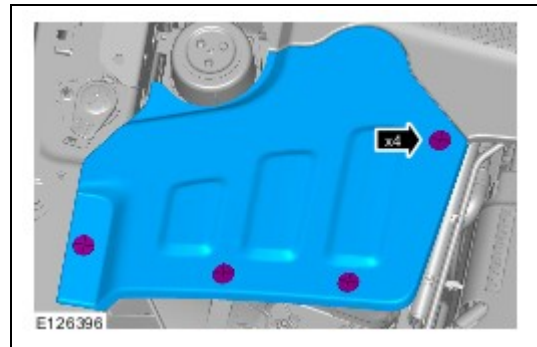
PROGRAM CODE	OPTION CODE	DESCRIPTION	SRO	TIME (HOURS)	PART NO.	QTY. / VALUE
K146	B	Apply protective tape to shock absorber tower	10.10.99	0.20	-	-
K146	C	Apply protective tape to shock absorber tower	10.10.99	0.20	-	-
		Drive in/drive out	10.10.10	0.10	-	-

*Normal Warranty policies and procedures apply*

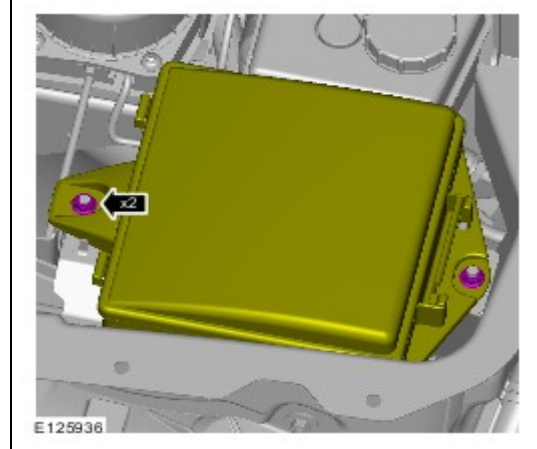
NOTE: The information in Technical Bulletins is intended for use by trained, professional Technicians with the knowledge, tools, and equipment required to do the job properly and safely. It informs these Technicians of conditions that may occur on some vehicles, or provides information that could assist in proper vehicle service. The procedures should not be performed by 'do-it-yourselfers'. If you are not a Retailer, do not assume that a condition described affects your vehicle. Contact an authorized Jaguar service facility to determine whether this bulletin applies to a specific vehicle.

## **REPAIR PROCEDURE**

1. Remove the engine compartment fuse box cover.
  - Remove the four (4) clips.



2. Release the fuse box.
  - Remove the two (2) nuts.

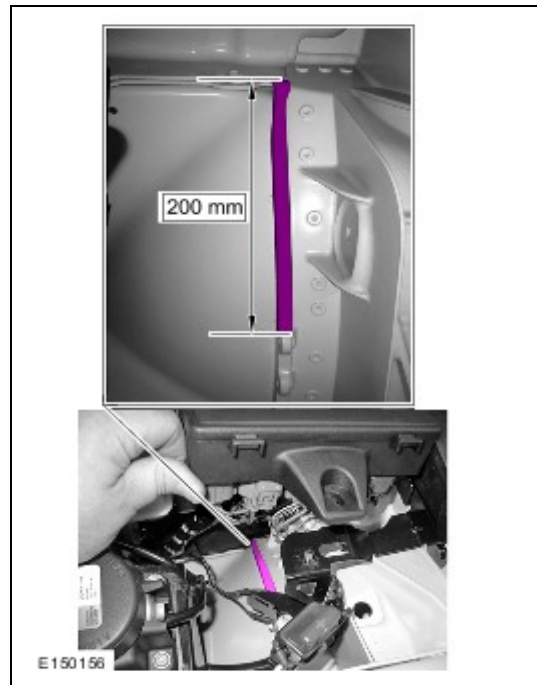


3. **⚠ CAUTION: Make sure excessive force is not applied when repositioning the fuse box.**

**⚠ CAUTION: Make sure that all sharp edges and corners are covered by the tape.**

**△ NOTE: Make sure protective tape is applied to the area as shown; some vehicles may already have tape fitted but not in the correct area.**

Reposition the fuse box and apply a 200mm (8 in.) length of protective tape to the area shown.



4. Reposition the fuse box.
  - Tighten the two (2) fuse box nuts to 7Nm.
5. Install the fuse box cover.

**Update Prior to Sale Notice UPS4512  
Affected VIN List**

RETAILER CODE / NAME	VIN
0349 Byers Imports	V40087
0609 Jaguar of Great Neck/Roslyn	V40111
2103 Jaguar Bethesda	V39776
5302 Jaguar Paramus	V39769
5429 Jaguar Roanoke	V40097
5429 Jaguar Roanoke	V40098
5445 Jaguar Hartford	V40152
5534 Jaguar Waukesha	V40366
5586 Jaguar West Columbia	V39561
5586 Jaguar West Columbia	V40185
5598 Jaguar Norwood	V40143
5598 Jaguar Norwood	V40175
5598 Jaguar Norwood	V40428
5601 Jaguar Chantilly	V39608
5631 Jaguar Indianapolis	V40102
5670 White Plains Jaguar	V39430
5670 White Plains Jaguar	V39866
5670 White Plains Jaguar	V40150
5686 Jaguar of Troy	V38964
5686 Jaguar of Troy	V39427
5686 Jaguar of Troy	V40148
5686 Jaguar of Troy	V40615

RETAILER CODE / NAME	VIN
5692 Jaguar Wichita	V40786
5701 West-Herr Jaguar	V39640
5725 Manhattan Jaguar/NYC	V39573
5725 Manhattan Jaguar/NYC	V41143
5727 Crest Jaguar of Woodbridge	V40569
5742 Heritage Jaguar of Freeport	V40107
5742 Heritage Jaguar of Freeport	V40108
5742 Heritage Jaguar of Freeport	V40109
5742 Heritage Jaguar of Freeport	V40110
5742 Heritage Jaguar of Freeport	V40265
5742 Heritage Jaguar of Freeport	V40550
5742 Heritage Jaguar of Freeport	V40675
5742 Heritage Jaguar of Freeport	V40682
5744 Jaguar Huntington	V39980
5748 Jaguar Peoria	V40827
5774 Jaguar Westside	V39976
5775 Jaguar Southampton	V40347
5775 Jaguar Southampton	V40717
5794 Jaguar Louisville	V40120
5796 Jaguar Des Moines	V40184