

SERVICE INFORMATION BULLETIN

TITLE : Opening the luggage compartment if the doors cannot be opened

DOCUMENT # : 11 A 013

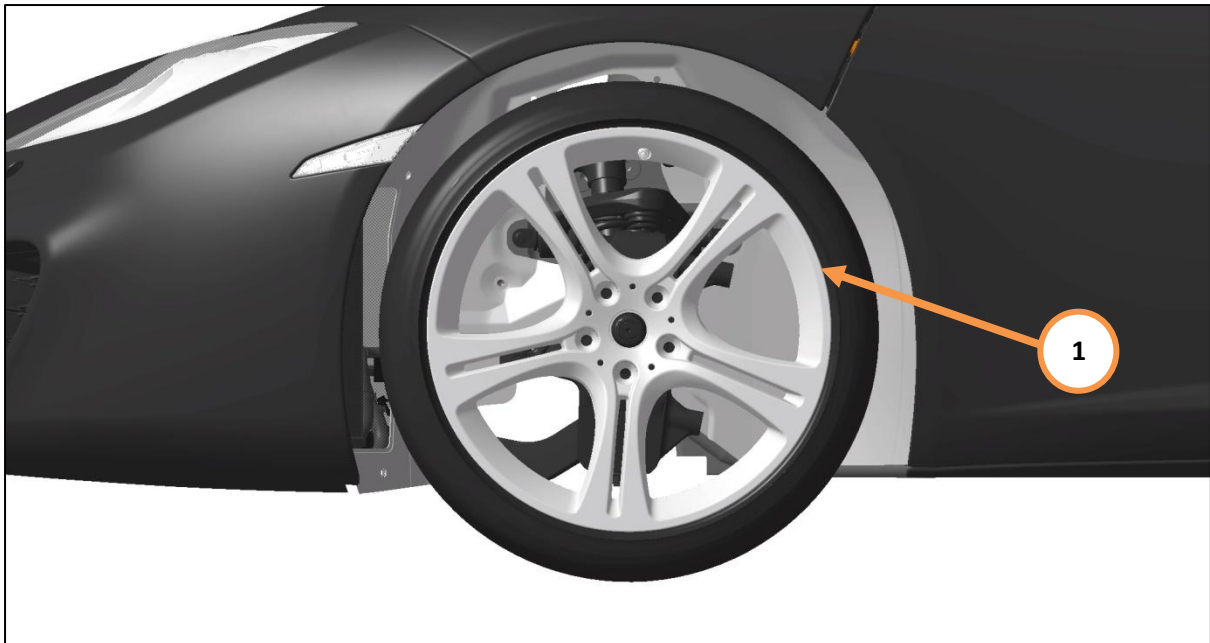
AFFECTED VEHICLES: 12C Coupe and Spider

SITUATION : If the doors are unable to be opened due to a flat battery, or faulty door latches, it is necessary to use the manual luggage compartment release.

PROCEDURE : Please refer to the procedure below to gain access to the manual release cable for the luggage compartment lid. This will allow you to access the battery.

REMOVAL:

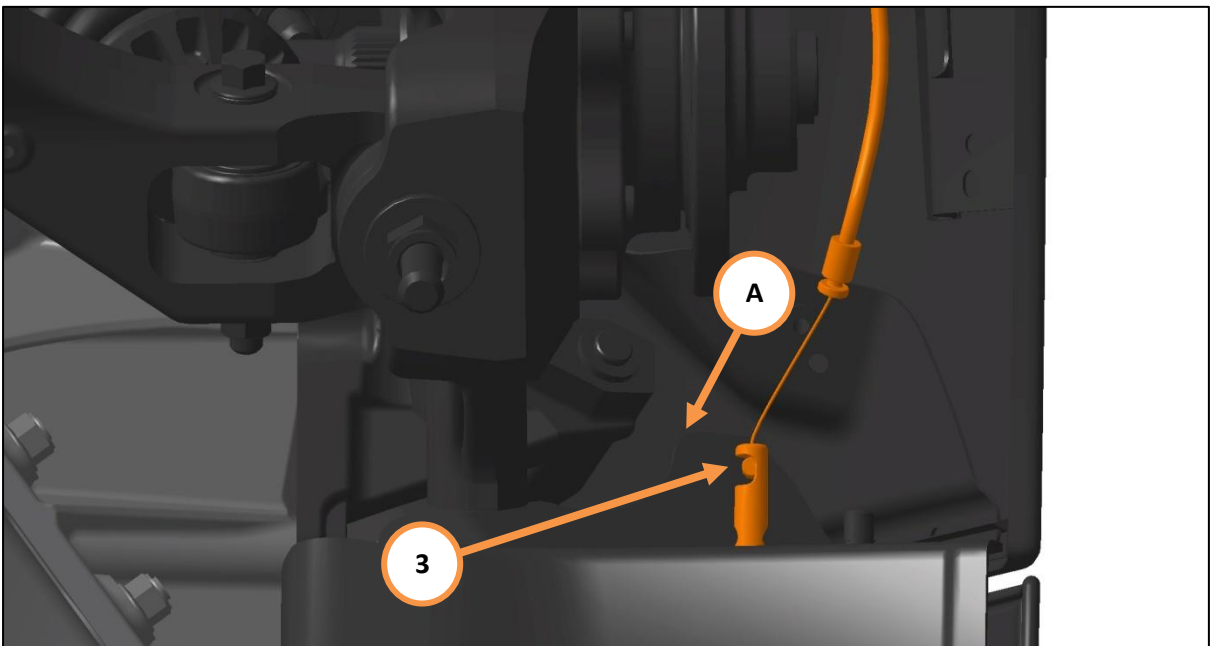
1. Please refer to AA-RM-03B03-01-001 – Remove/Install wheel.
2. Please refer to AA-RM-02A02-03-002 – Remove/Install Wheel Arch Liner – Front.
3. Raise the left hand front side of the vehicle using a suitable jack.
4. Remove left hand wheel (1).



5. Remove left hand wheel arch liner (2).



6. Unclip manual release cable (3) and pull away from the protective sheath in direction shown (A). The release cable is located at the top of wheel arch liner going into the wheelarch liner cover.



7. Unlatch luggage compartment lid to open.

INSTALLATION:

1. Install components in reverse order.

Please contact your Regional Aftersales Manager if you have any queries relating to the information contained in this bulletin.