



Technical Service Bulletin

SUBJECT:			No: TSB-12-52A-005
DOOR LOCK ROCKER SWITCH BUTTON REPLACEMENT – SERVICE MANUAL REVISION			DATE: December, 2012
			MODEL: See below
CIRCULATE TO:	<input type="checkbox"/> GENERAL MANAGER	<input checked="" type="checkbox"/> PARTS MANAGER	<input checked="" type="checkbox"/> TECHNICIAN
<input checked="" type="checkbox"/> SERVICE ADVISOR	<input checked="" type="checkbox"/> SERVICE MANAGER	<input checked="" type="checkbox"/> WARRANTY PROCESSOR	<input type="checkbox"/> SALES MANAGER

TSB Revision: TSB-12-52A-005

PURPOSE

The door lock switch rocker button is now available separately. This TSB provides replacement instructions for the affected service manuals.

AFFECTED VEHICLES

2007–2012 Eclipse
 2007–2012 Eclipse Spyder
 2007–2011 Endeavor
 2007–2012 Galant

AFFECTED SERVICE MANUALS

2007 – 2012 Eclipse/Eclipse Spyder Service Manual:
 Group 52A > Interior > Door Trim > Disassembly and Assembly <Front Door Trim>

2007 – 2012 Galant Service Manual:
 Group 52A > Interior > Door Trim > Disassembly and Assembly <Front Door Trim>

2007 – 2011 Endeavor Service Manual:
 Group 52A > Interior > Door Trim > Disassembly and Assembly <Front Door Trim>

Continued

Copyright 2012, Mitsubishi Motors North America, Inc.

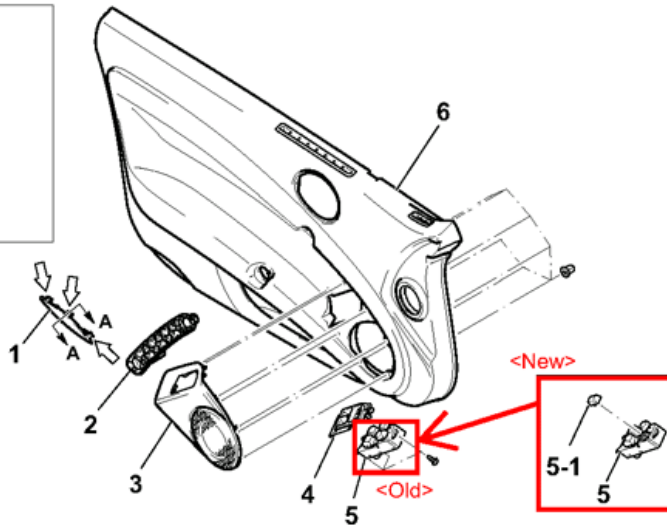
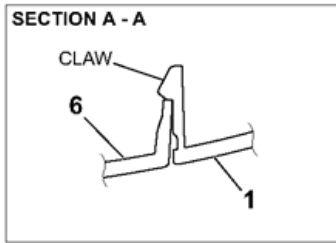
(3948)

The information contained in this bulletin is subject to change. For the latest version of this document, go to the Mitsubishi Dealer Link, MEDIC, or the Mitsubishi Service Information website (www.mitsubishitechinfo.com).

Make the following changes the 2007 – 2012 Eclipse/Eclipse Spyder Service Manual:
 Group 52A > Interior > Door Trim > Disassembly and Assembly <Front Door Trim>

DISASSEMBLY AND ASSEMBLY

<FRONT DOOR TRIM>



NOTE
 ⇄ : CLAW POSITION

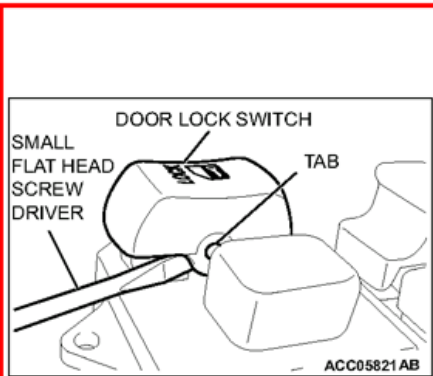
- DISASSEMBLY STEPS**
1. REFLECTOR
 2. GRAB HANDLE
 3. SWITCH PLATE SPEAKER GRILLE

- DISASSEMBLY STEPS**
4. POWER WINDOW SWITCH PANEL ASSEMBLY
 5. POWER WINDOW MAIN SWITCH
 - 5-1. DOOR LOCK SWITCH
 6. FRONT DOOR TRIM

<Added>

<<A>> >>A<< 5-1. DOOR LOCK SWITCH

<Added>

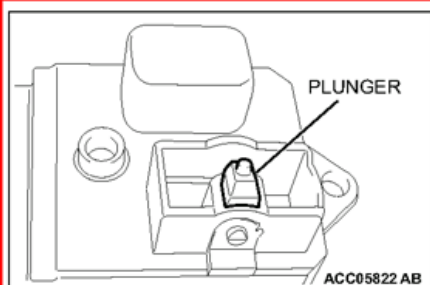


DISASSEMBLY SERVICE POINTS

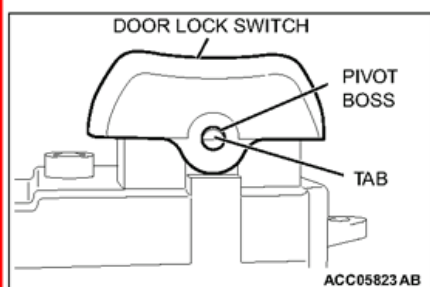
<<A>> DOOR LOCK SWITCH REMOVAL

1. With a small flat head screw driver, gently pry the tab outward off of the rotary shaft. Special care should be taken to prevent damage to the rotary shaft.

<Added>



2. Once the tab is disengaged, lift the door lock switch off the switch. Ensure the plunger is free from foreign material or debris.



ASSEMBLY SERVICE POINTS

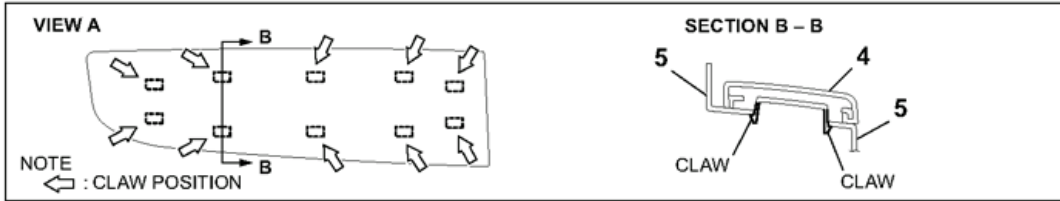
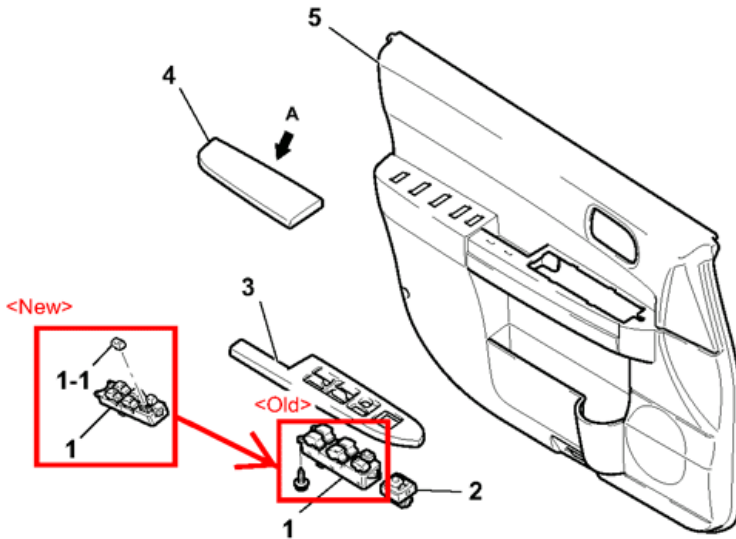
>>A<< DOOR LOCK SWITCH INSTALLATION

1. Complete installation of the new door lock switch onto the switch. Press the door lock switch down until both tabs engage into the pivot bosses.
2. Install the switch back into the vehicle and test the function to ensure the door lock switch is engaged correctly.

Make the following changes the 2007 – 2012 Galant Service Manual:
 Group 52A > Interior > Door Trim > Disassembly and Assembly <Front Door Trim>

DISASSEMBLY AND ASSEMBLY

<FRONT DOOR TRIM>



AC606353AC

<Added>

DISASSEMBLY STEPS

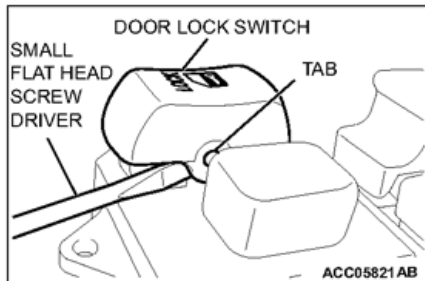
- <<A>> >>A<< 1-1. DOOR LOCK SWITCH
1. POWER WINDOW MAIN SWITCH
 2. REMOTE CONTROLLED MIRROR SWITCH

DISASSEMBLY STEPS

3. POWER WINDOW MAIN SWITCH PANEL
4. ARMREST
5. FRONT DOOR TRIM

<Added>

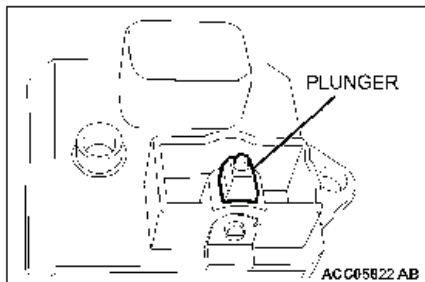
DISASSEMBLY SERVICE POINTS



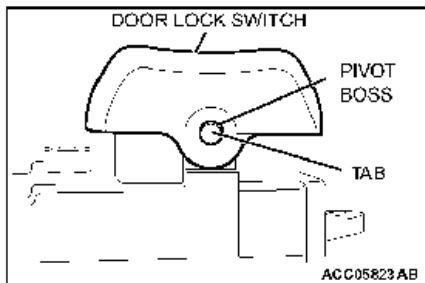
<<A>> DOOR LOCK SWITCH REMOVAL

1. With a small flat head screw driver, gently pry the tab outward off of the rotary shaft. Special care should be taken to prevent damage to the rotary shaft.

<Added>



2. Once the tab is disengaged, lift the door lock switch off the switch. Ensure the plunger is free from foreign material or debris.



ASSEMBLY SERVICE POINTS

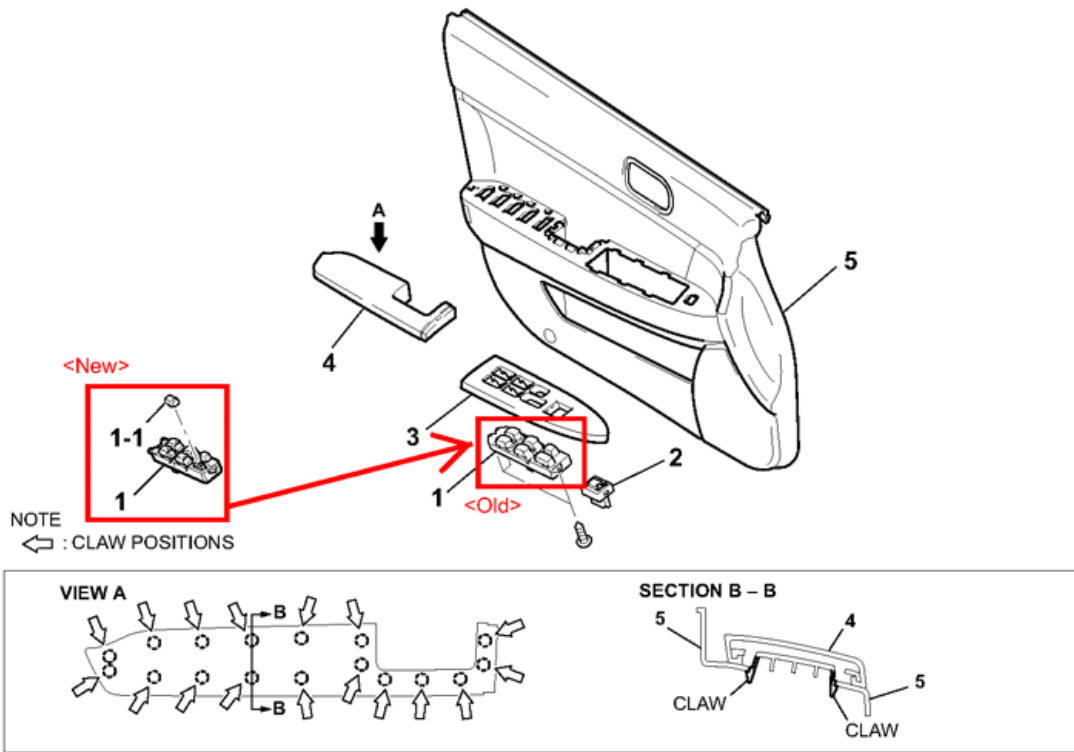
>>A<< DOOR LOCK SWITCH INSTALLATION

1. Complete installation of the new door lock switch onto the switch. Press the door lock switch down until both tabs engage into the pivot bosses.
2. Install the switch back into the vehicle and test the function to ensure the door lock switch is engaged correctly.

Make the following changes to the 2007 – 2011 Endeavor Service Manual:
 Group 52A > Interior > Door Trim > Disassembly and Assembly <Front Door Trim>

DISASSEMBLY AND ASSEMBLY

<FRONT DOOR TRIM>



AC901151AD

<Added>

DISASSEMBLY STEPS

- <<A>> >>A<< 1-1. DOOR LOCK SWITCH
1. POWER WINDOW SWITCH
 2. REMOTE CONTROLLED MIRROR SWITCH

DISASSEMBLY STEPS

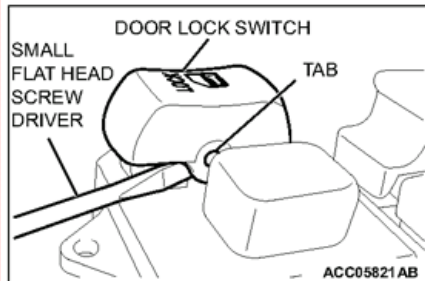
3. POWER WINDOW SWITCH PANEL
4. ARMREST
5. FRONT DOOR TRIM

<Added>

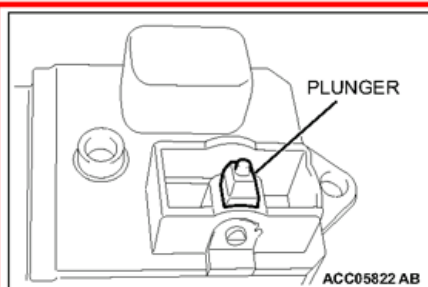
DISASSEMBLY SERVICE POINTS

<<A>> DOOR LOCK SWITCH REMOVAL

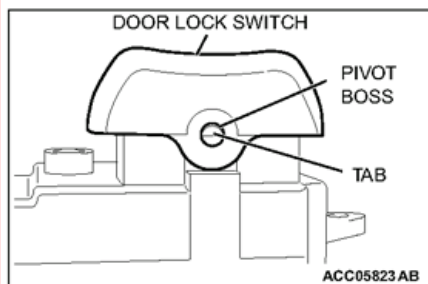
1. With a small flat head screw driver, gently pry the tab outward off of the rotary shaft. Special care should be taken to prevent damage to the rotary shaft.



<Added>



2. Once the tab is disengaged, lift the door lock switch off the switch. Ensure the plunger is free from foreign material or debris.



ASSEMBLY SERVICE POINTS

>>A<< DOOR LOCK SWITCH INSTALLATION

1. Complete installation of the new door lock switch onto the switch. Press the door lock switch down until both tabs engage into the pivot bosses.
2. Install the switch back into the vehicle and test the function to ensure the door lock switch is engaged correctly.