



Technical Service Bulletin

SUBJECT:			No: TSB-12-42A-004
DOOR LOCK ROCKER SWITCH BUTTON REPLACEMENT – SERVICE MANUAL REVISION			DATE: December, 2012
			MODEL: See below
CIRCULATE TO:	<input type="checkbox"/> GENERAL MANAGER	<input checked="" type="checkbox"/> PARTS MANAGER	<input checked="" type="checkbox"/> TECHNICIAN
<input checked="" type="checkbox"/> SERVICE ADVISOR	<input checked="" type="checkbox"/> SERVICE MANAGER	<input checked="" type="checkbox"/> WARRANTY PROCESSOR	<input type="checkbox"/> SALES MANAGER

TSB Revision: TSB-12-42A-004

PURPOSE

The door lock switch rocker button is now available separately. This TSB adds replacement instructions to the affected service manuals.

AFFECTED VEHICLES

2007–2011 Endeavor

2007–2012 Galant

AFFECTED SERVICE MANUALS

2007 – 2012 Galant Service Manual:

Group 42A > Body > On-vehicle Service > Door Glass and Regulator > Removal and Installation

2007 – 2011 Endeavor Service Manual:

Group 42A > Body > On-vehicle Service > Door Glass and Regulator > Removal and Installation

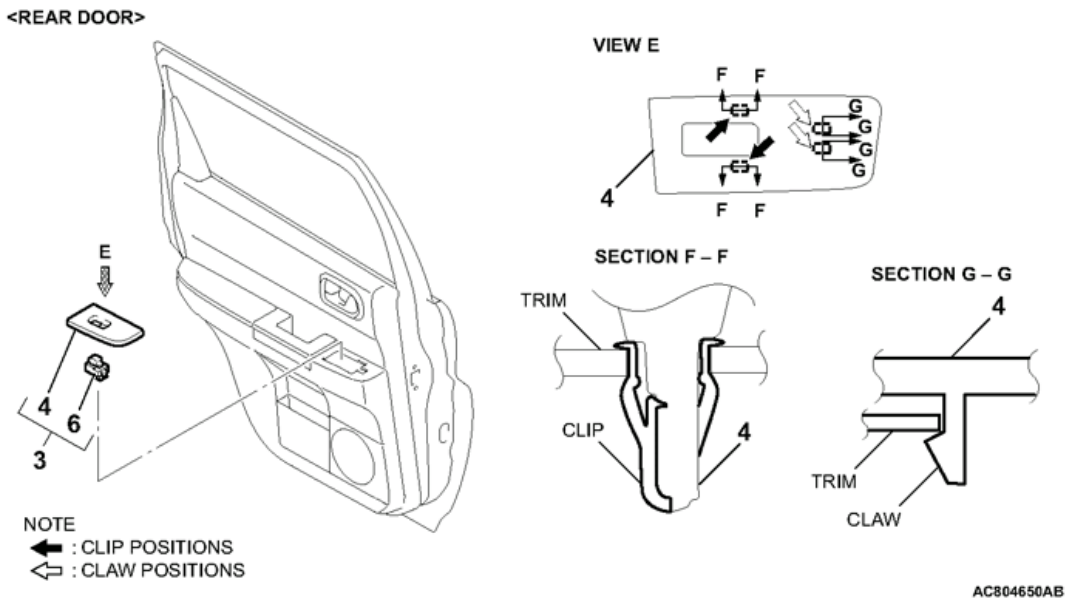
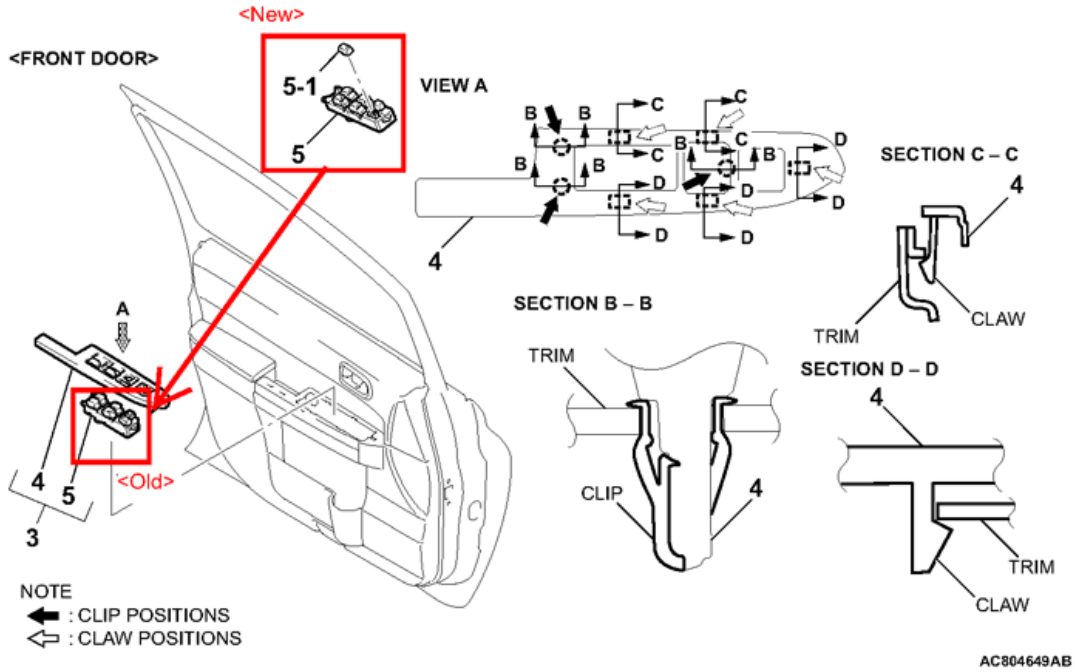
Continued

Copyright 2012, Mitsubishi Motors North America, Inc.

(3950)

The information contained in this bulletin is subject to change. For the latest version of this document, go to the Mitsubishi Dealer Link, MEDIC, or the Mitsubishi Service Information website (www.mitsubishitechinfo.com).

Make the following changes the 2007 – 2012 Galant Service Manual:
 Group 42A > Body > Door > Door Glass and Regulator > Removal and Installation



DOOR WINDOW REGULATOR ASSEMBLY REMOVAL STEPS

- DOOR TRIM (REFER TO GROUP 52A, DOOR TRIM.)
- WATERPROOF FILM

<<A>>

- 1 WINDOW REGULATOR ASSEMBLY

DOOR WINDOW REGULATOR ASSEMBLY REMOVAL STEPS

- DOOR WINDOW GLASS RUNCHANNEL
 - DOOR BELTLINE MOLDING
2. DOOR WINDOW GLASS

	POWER WINDOW SWITCH REMOVAL STEPS	<Added>	POWER WINDOW SWITCH REMOVAL STEPS (Continued)
<>	3. POWER WINDOW SWITCH PANEL ASSEMBLY	<<C>>	5-1. DOOR LOCK SWITCH
	4. POWER WINDOW SWITCH PANEL	>>A<<	6. POWER WINDOW SUB SWITCH
	5. POWER WINDOW MAIN SWITCH (LH), POWER WINDOW SUB SWITCH (RH)		
		Required Special Tools:	
		• MB990480: Window Glass Holder	
		• MB990784: Ornament Remover	
		• MB991223: Harness Set	

REMOVAL SERVICE POINTS

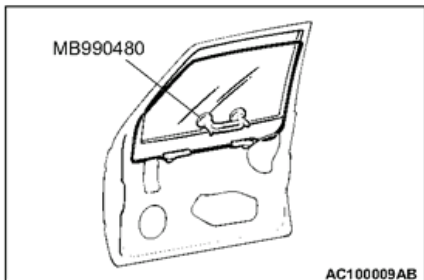
<<A>> WINDOW REGULATOR ASSEMBLY REMOVAL

1. Remove the door window glass installation bolts.

CAUTION

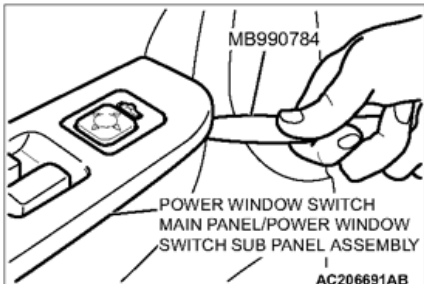
If tinting film is adhered to the door window glass, attach special tool MB990480 to the outside of the glass to prevent the film from peeling off.

2. Lift the door window glass, and attach special tool MB990480 to the glass as shown to prevent the glass from falling.
3. Remove the window regulator assembly and power window motor assembly.

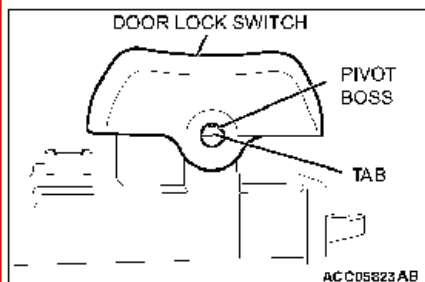
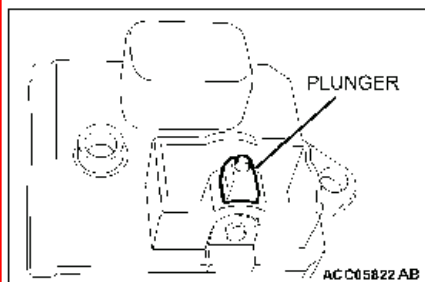
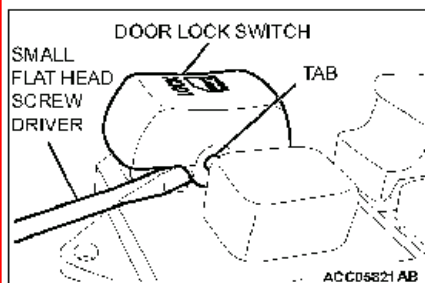


<> POWER WINDOW SWITCH PANEL ASSEMBLY REMOVAL

Insert special tool MB990784 as shown to remove the power window switch panel assembly.



<Added>

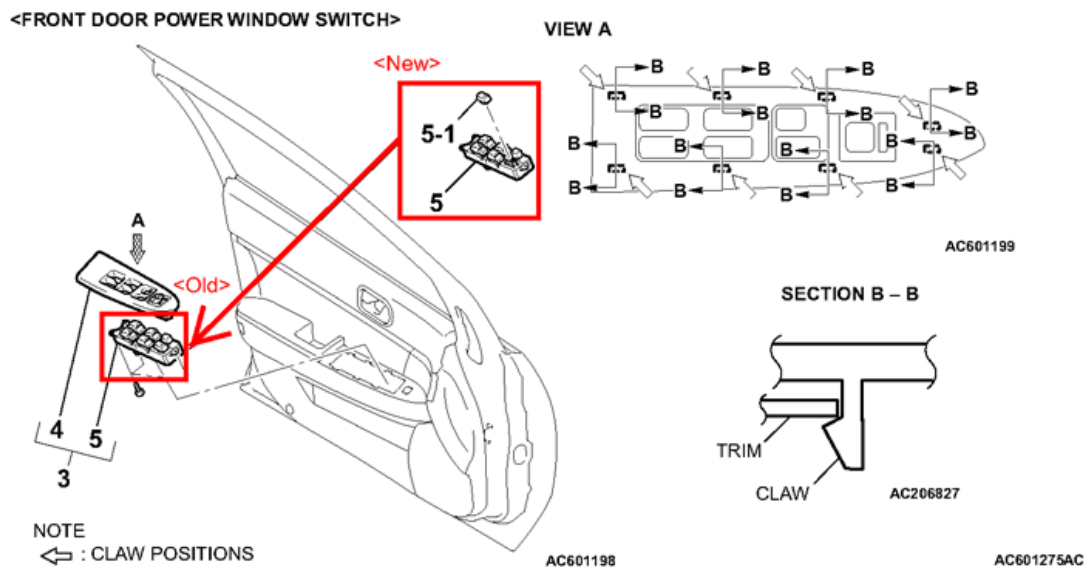
**<<C>> DOOR LOCK SWITCH REMOVAL**

1. With a small flat head screw driver, gently pry the tab outward off of the rotary shaft. Special care should be taken to prevent damage to the rotary shaft.
2. Once the tab is disengaged, lift the door lock switch off the switch. Ensure the plunger is free from foreign material or debris.

INSTALLATION SERVICE POINTS**>>A<< DOOR LOCK SWITCH INSTALLATION**

1. Complete installation of the new door lock switch onto the switch. Press the door lock switch down until both tabs engage into the pivot bosses.
2. Install the switch back into the vehicle and test the function to ensure the door lock switch is engaged correctly.

Make the following changes to the 2007 – 2011 Endeavor Service Manual:
Group 42A > Body > Door > Door Glass and Regulator > Removal and Installation



**POWER WINDOW SWITCH
REMOVAL STEPS**

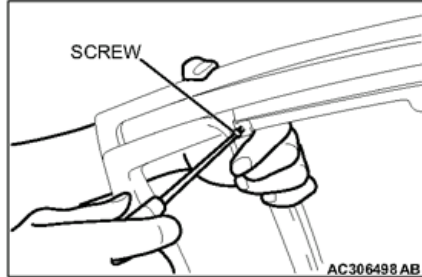
- <<C>> 3. POWER WINDOW SWITCH PANEL ASSEMBLY
- 4. POWER WINDOW SWITCH PANEL
- 5. POWER WINDOW MAIN SWITCH (LH), POWER WINDOW SUB SWITCH (RH)

<Added>

<<D>> >>A<< 5-1. DOOR LOCK SWITCH

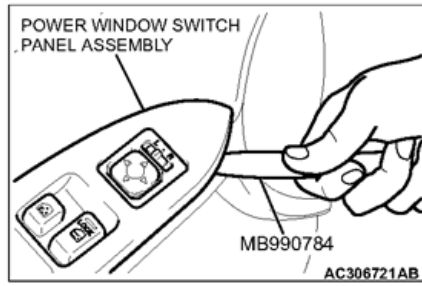
Required Special Tool:

- MB990784: Ornament Remover



<> REAR DOOR STATIONARY WINDOW GLASS ASSEMBLY REMOVAL

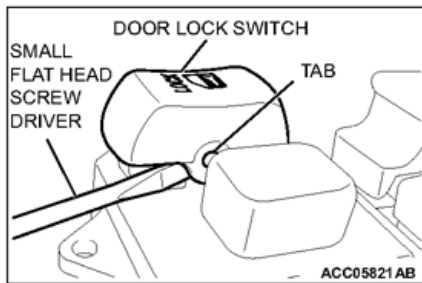
Remove the mounting screw of the top of the rear door stationary window glass assembly (the screw is hidden by the molding).



<<C>> POWER WINDOW SWITCH PANEL ASSEMBLY REMOVAL

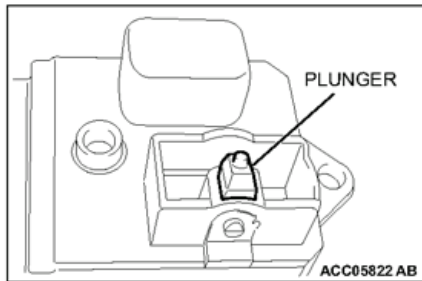
Insert special tool MB990784 as shown to remove the power window switch panel assembly.

<Added>



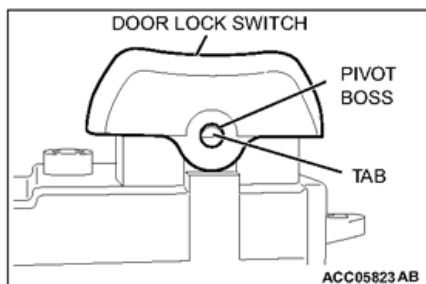
<<D>> DOOR LOCK SWITCH REMOVAL

1. With a small flat head screw driver, gently pry the tab outward off of the rotary shaft. Special care should be taken to prevent damage to the rotary shaft.



2. Once the tab is disengaged, lift the door lock switch off the switch. Ensure the plunger is free from foreign material or debris.

<Added>



INSTALLATION SERVICE POINTS

>>A<< DOOR LOCK SWITCH INSTALLATION

1. Complete installation of the new door lock switch onto the switch. Press the door lock switch down until both tabs engage into the pivot bosses.
2. Install the switch back into the vehicle and test the function to ensure the door lock switch is engaged correctly.