

# Front Spoiler Under Cover & Rear Side Spoiler Installation during PDS

**Service Category** General

**Section** Pre-Delivery Service

**Market** USA

Toyota Supports  
 ASE Certification 

## Applicability

YEAR(S)	MODEL(S)	ADDITIONAL INFORMATION
2013	Prius, Prius PHV	

## Introduction

The Front Spoiler Under Cover and Rear Side Spoiler are located in the luggage compartment at the assembly plant to avoid damage in transit. Install the Front Spoiler Under Cover and Rear Side Spoiler on the vehicle during Pre-Delivery Service (PDS) using the following procedure.

## Warranty Information

OP CODE	DESCRIPTION	TIME	OPF	T1	T2
N/A	Not Applicable to Warranty	–	–	–	–

### Front Spoiler Under Cover Contents:

- Front Spoiler Under Cover
- Two (2) bolts
- Four (4) self-tapping screws
- One (1) plastic retainer clip
- Two (2) plastic screw grommets

### Rear Side Spoiler Contents:

- Rear Side Spoiler (Left and Right)
- Three (3) plastic retainer clips
- Six (6) self-tapping screws
- One (1) plastic wing nut
- Four (4) plastic screw grommets

## Front Spoiler Under Cover & Rear Side Spoiler Installation during PDS

### Front Spoiler Under Cover Installation Procedure

1. Remove the two (2) self-tapping screws from the front wheel well assembly.

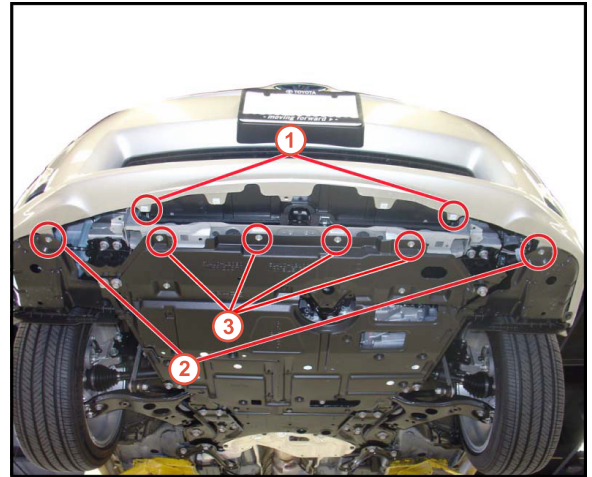
Remove the four (4) bolts from the engine under cover.

**NOTE**

**Retain these screws and bolts as they will be used later during installation.**

Install the two (2) plastic screw grommets into the front bumper as shown in Figure 1.

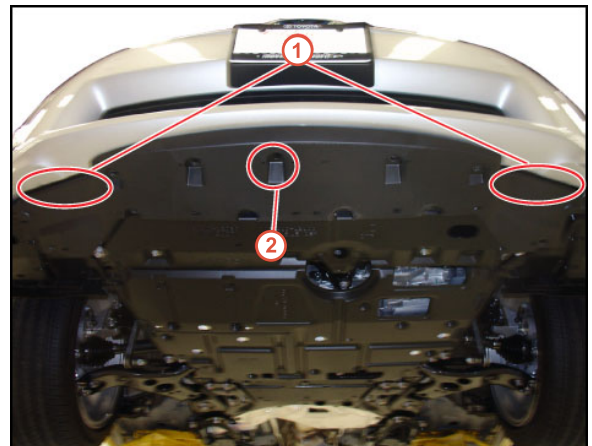
**Figure 1.**



<b>1</b>	Plastic Screw Grommets
<b>2</b>	Self-tapping Screws
<b>3</b>	Bolts

2. Place both lips of the front spoiler under cover into the bumper cover. Install the plastic retainer clip into center hole.

**Figure 2.**



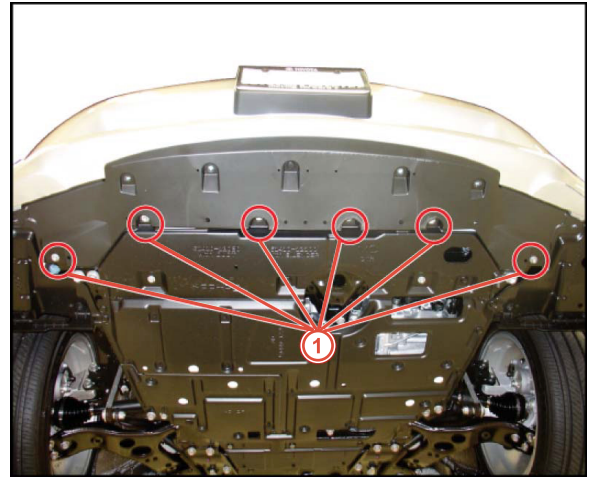
<b>1</b>	Lips of Front Spoiler Under Cover
<b>2</b>	Plastic Retainer Clip

## Front Spoiler Under Cover & Rear Side Spoiler Installation during PDS

### Front Spoiler Under Cover Installation Procedure (Continued)

3. Install the two (2) bolts from the kit and the four (4) bolts removed from the engine under cover into the back of the front spoiler under cover.

**Figure 3.**

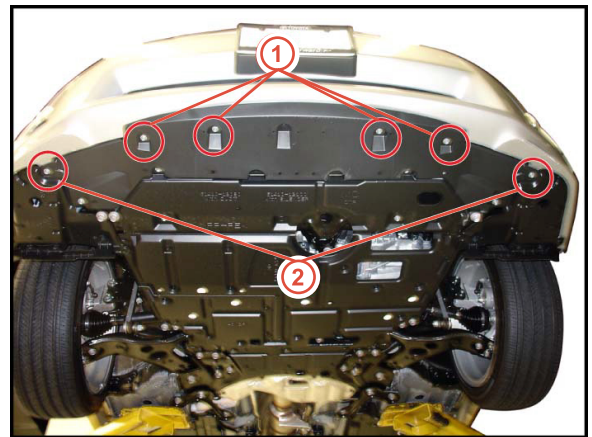


<b>1</b>	<b>Bolts</b>
----------	--------------

4. Install the four (4) self-tapping screws from the kit in the location marked "A" and the two (2) self-tapping screws from the Front Wheel Assembly into the locations marked "B" into the front of the front wheel spoiler under cover.

**NOTE**  
Do NOT over tighten screws.

**Figure 4.**



<b>1</b>	<b>Self-Tapping Screws "A" (from Kit)</b>
<b>2</b>	<b>Self-Tapping Screws "B" (from Front Wheel Assy)</b>

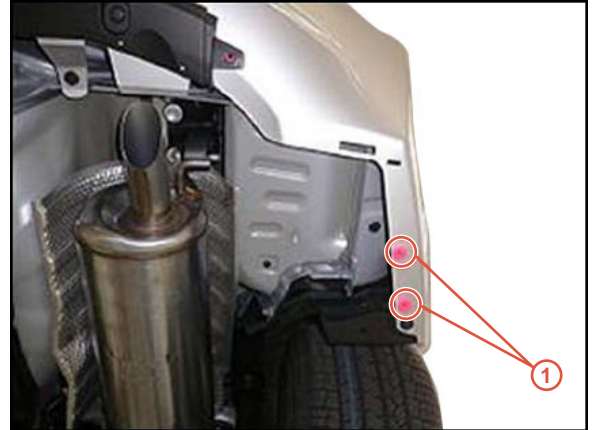
## Front Spoiler Under Cover & Rear Side Spoiler Installation during PDS

---

### Rear Side Spoiler Installation

1. Install two (2) plastic screw grommets to the right rear bumper cover.

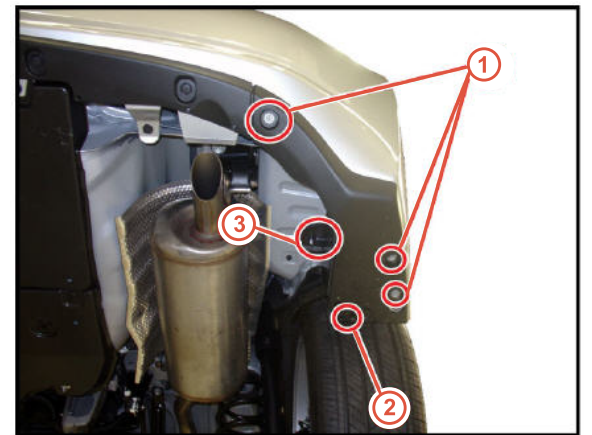
**Figure 5.**



<b>1</b>	<b>Plastic Screw Grommets</b>
----------	-------------------------------

2. Install right rear side spoiler with three (3) self-tapping screws, retainer clip, and plastic wing nut.

**Figure 6.**



<b>1</b>	<b>Self-Tapping Screws</b>
<b>2</b>	<b>Plastic Wing Nut</b>
<b>3</b>	<b>Plastic Retainer Clip</b>

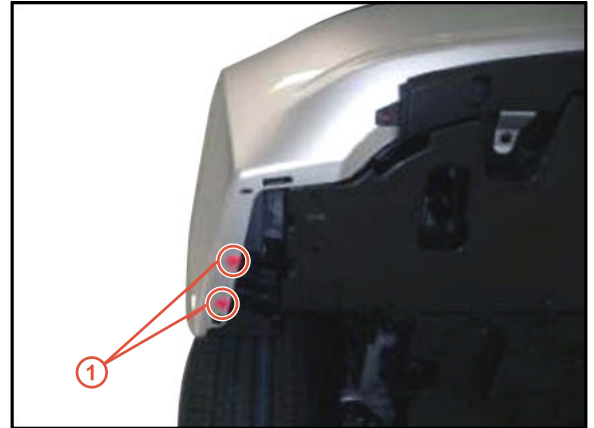
## Front Spoiler Under Cover & Rear Side Spoiler Installation during PDS

---

### Rear Side Spoiler Installation (Continued)

3. Install two (2) plastic screw grommets to the left rear bumper cover.

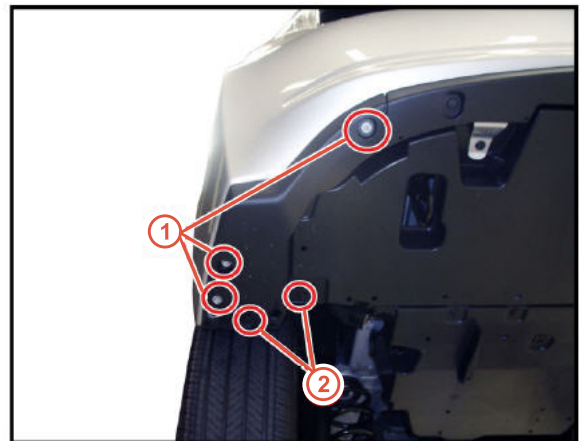
**Figure 7.**



<b>1</b>	<b>Plastic Screw Grommets</b>
----------	-------------------------------

4. Install left rear side spoiler with three (3) self-tapping screws and two (2) retainer clips.

**Figure 8.**



<b>1</b>	<b>Self-Tapping Screws</b>
<b>2</b>	<b>Plastic Retainer Clip</b>