

Subject

Market

Smart Key - Replacement Parts Application

USA

Service Category

Section

Vehicle Interior

Theft Deterrent/Keyless Entry

Applicability

2011 RX, LS, GX, CT, and HS

APPLICABLE VEHICLES

2011	GX460	2011	RX450H
2011	HS250H	2011	CT200H
2011	RX350	2011	LS600H
2011	LS460		

CONDITION

For the models listed above, the Electronic Parts Catalog (EPC) may not include enough detail to determine appropriate keys and receiver replacement parts. This Tech Tip will help you identify the system type prior to ordering replacement keys and/or Door Control Receiver.

RECOMMENDATIONS

Use the following information to:

- identify system type (AM or FM modulation)
- choose appropriate parts

prior to ordering, attempting to program keys, or installing new Door Control Receiver:

Identify System Type:

If one working key fob is present, identify the system type by FCC ID on key:



Example: This key fob has an FCC ID ending in AB, if this key operates Smart access or wireless locks, vehicle is equipped with an AM modulated system:

- AB = AM system
- CX (or other) = FM system

NOTE: Both types of keys will operate immobilizer when held over start button.

If all keys are missing, find service history identifying previous change to FM or it will be necessary to access Door Control Receiver in rear of vehicle and identify by part number.



Example: This Door Control Receiver has a part number on the upper RH corner of the part label.

NAP RX350:	89740-0E040 = AM / 89740-0E010 = FM
CBU RX350/450h:	89740-48200 = AM / 89740-48070 or -0E010 = FM
LS460/600h:	89740-50061 = AM / 89740-50180 = FM
GX460:	89740-60170 = AM / 89740-60080 = FM
CT200h:	89740-76090 = AM / 89740-76010 = FM
HS250h:	89740-75140 = AM / 89740-75050 = FM

See Pages 2 and 3 for visual of Door Control Receiver locations by model

Subject

Smart Key - Replacement Parts Application

Market

USA

Applicability

2011 RX, LS, GX, CT, and HS

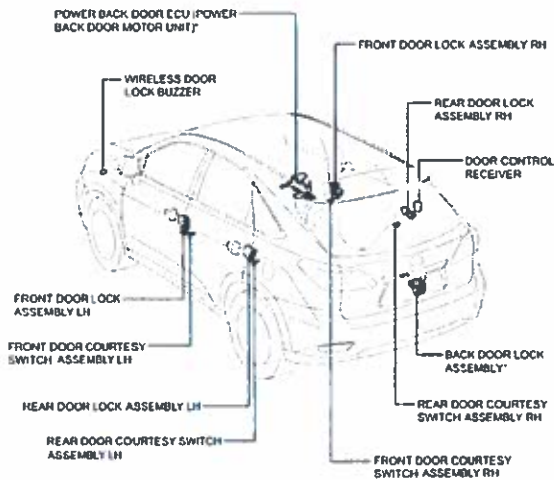
RECOMMENDATIONS

Choose Appropriate Parts:

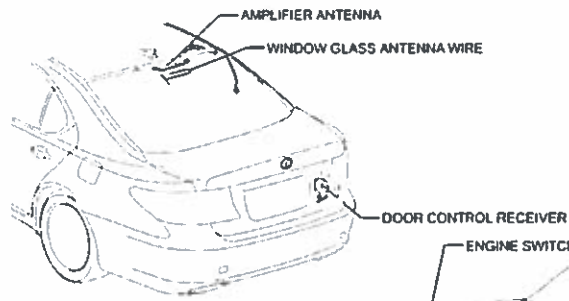
Model	FM KEYS	AM KEYS	OPTIONS	FM FLAT KEYS	AM FLAT KEYS	FM RECEIVER	AM RECEIVER
LS460	89904-50F90	89904-50Q40	-	89994-50420	89904-48D90	89740-50180	89740-50061
LS600h	89904-75030	89904-75110	-	89994-50520	89904-76130	89740-50180	89740-50061
GX460	89904-60590	89904-60C80	-	N/A	N/A	89740-60080	89740-60170
RX350(CBU)	89904-48191	89904-48680	w/PBD	89994-48072	89904-48D90	89740-48070	89740-48200
	89904-48181	89904-48670	w/o PBD				
RX350(NAP)	89904-0E031	89904-0E050	-	89994-48072	89904-48D90	89740-0E010	89740-0E040
RX450h	89904-48491	89904-48D40	w/PBD	89994-48142	89904-76130	89740-48070	89740-48200
	89904-48481	89904-76080	w/o PBD				
HS250h	89904-75030	89904-75110	-	89994-48142	89904-76129	89740-75050	89740-75140
CT200h	89904-48481	89904-76080	-	89994-48142	89904-76130	89740-76010	89740-76090

Door Control Receiver Locations:

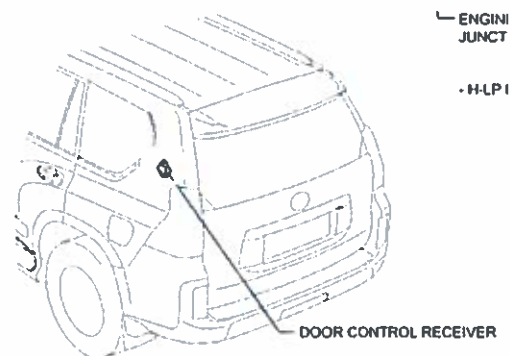
RX350/450h:



LS460/600h:



GX460:



Subject

Smart Key - Replacement Parts Application

Market

USA

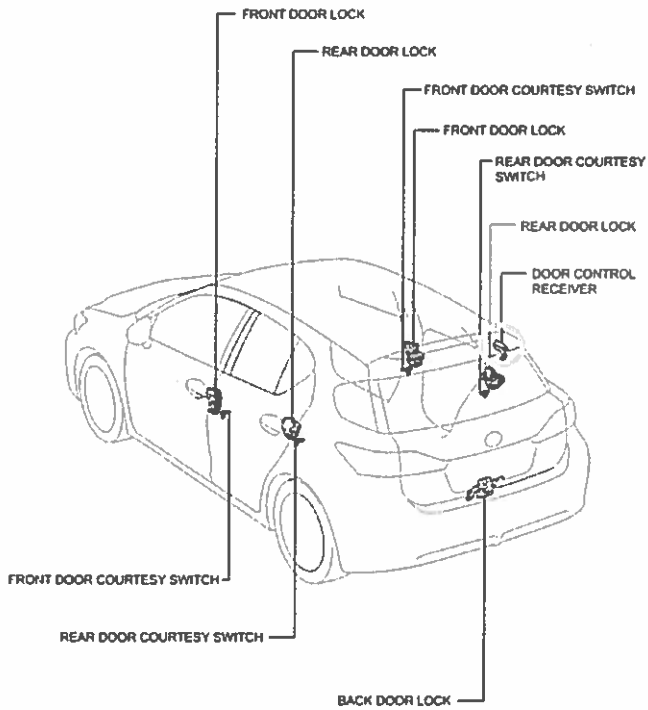
Applicability

2011 RX, LS, GX, CT, and HS

RECOMMENDATIONS

Door Control Receiver Locations (continued):

CT200h:



HS250h:

