



2013 PRE-DELIVERY SERVICE CHECK SHEET

December 2012

BEFORE INSPECTION	OK	Adjust/Repair
01 Install D/C Cut Fuse – see page 2	<input type="checkbox"/>	<input type="checkbox"/>
02 Install antenna*	<input type="checkbox"/>	<input type="checkbox"/>

FUNCTIONAL OPERATION		
<i>Apply parking brake and cycle ignition "IG-ON"; place gear selector in reverse; turn on lights and rear defogger. Unlock doors; release fuel door.</i>		
01 Check dome, courtesy, map, and sun visor lights	<input type="checkbox"/>	<input type="checkbox"/>
02 Check warning/indicator lights, gauges, and horn	<input type="checkbox"/>	<input type="checkbox"/>
03 Check windshield wipers and washers	<input type="checkbox"/>	<input type="checkbox"/>
04 Check headlights, instrument lights, turn signals, emergency flashers, and brake lights	<input type="checkbox"/>	<input type="checkbox"/>
05 Check inside/outside rear view mirror operation/adjustment*	<input type="checkbox"/>	<input type="checkbox"/>
06 Check cigarette lighter* and power outlets	<input type="checkbox"/>	<input type="checkbox"/>
07 Check audio/navigation*/backup camera* systems and set clock	<input type="checkbox"/>	<input type="checkbox"/>
08 Verify Entune/Navigation software version (Display Audio, Non-HDD Type only)*	<input type="checkbox"/>	<input type="checkbox"/>
09 Check sliding roof*	<input type="checkbox"/>	<input type="checkbox"/>
10 Check Rear Seat Entertainment System operation*	<input type="checkbox"/>	<input type="checkbox"/>
11 Install shift-lock override button cover	<input type="checkbox"/>	<input type="checkbox"/>

WALKAROUND INSPECTION		
<i>Start at left front door. Check window and door lock operation (from master power switch, if equipped). Continue around vehicle in a counterclockwise direction checking each door and window operation, child door locks, seat belts, interior condition, all lights, luggage compartment contents. Finish by checking headlight aim and continue into UNDER HOOD checks.</i>		
01 Check Smart Key System*	<input type="checkbox"/>	<input type="checkbox"/>
02 Check door and door lock operation, including each wireless remote control/theft deterrent system*	<input type="checkbox"/>	<input type="checkbox"/>
03 Check window operation	<input type="checkbox"/>	<input type="checkbox"/>
04 Check that engine starts with all keys	<input type="checkbox"/>	<input type="checkbox"/>
05 Check that child safety door locks are in normal (unlocked) position	<input type="checkbox"/>	<input type="checkbox"/>
06 Check seats and seat belt operation	<input type="checkbox"/>	<input type="checkbox"/>
07 Check rear defogger/rear view mirror defogger*	<input type="checkbox"/>	<input type="checkbox"/>
08 Check side marker, tail, backup, cargo*, and license plate lights	<input type="checkbox"/>	<input type="checkbox"/>
09 Check luggage compartment light* and trim appearance	<input type="checkbox"/>	<input type="checkbox"/>
10 Check spare tire pressure, inspect for damage, and check jack and tool installation	<input type="checkbox"/>	<input type="checkbox"/>
11 Check headlight aim	<input type="checkbox"/>	<input type="checkbox"/>

UNDER HOOD		
01 Check engine oil and ATM fluid levels	<input type="checkbox"/>	<input type="checkbox"/>
02 Check brake and power steering fluid levels	<input type="checkbox"/>	<input type="checkbox"/>
03 Check engine coolant level	<input type="checkbox"/>	<input type="checkbox"/>
04 Check windshield washer fluid level	<input type="checkbox"/>	<input type="checkbox"/>
05 Check battery state-of-charge using Digital Battery System Analyzer (SOC Reading: _____%)	<input type="checkbox"/>	<input type="checkbox"/>
06 Inspect for fuel, oil, coolant, and other fluid leaks	<input type="checkbox"/>	<input type="checkbox"/>

* Inspect or install when equipped/required.

UNDER VEHICLE (ON HOIST)	OK	Adjust/Repair
01 Remove disc brake anti-rust covers/anti-corrosion wheel film*	<input type="checkbox"/>	<input type="checkbox"/>
02 Inspect tires for defects/damage	<input type="checkbox"/>	<input type="checkbox"/>
03 Initialize Tire Pressure Warning System (TPWS) - see page 2	<input type="checkbox"/>	<input type="checkbox"/>
04 Install wheel covers/caps/spare tire wheel covers*	<input type="checkbox"/>	<input type="checkbox"/>
05 Inspect for fuel, oil, coolant, and other fluid leaks	<input type="checkbox"/>	<input type="checkbox"/>
06 Inspect under the vehicle for damage, rust, etc.	<input type="checkbox"/>	<input type="checkbox"/>
07 Visually check bolts and nuts on chassis and powertrain for looseness	<input type="checkbox"/>	<input type="checkbox"/>
08 Install rubber body plugs* (stored in glove box or center console)	<input type="checkbox"/>	<input type="checkbox"/>

ROAD TEST
<i>A complete road test helps assure customer satisfaction. Drive vehicle over a variety of road surfaces and driving conditions. Check for unusual noise and driving performance.</i>

Enter Odometer Readings		
Reading Before Test: _____	Reading After Test: _____	
01 Check cold engine operation	<input type="checkbox"/>	<input type="checkbox"/>
02 Check engine operation during warm-up	<input type="checkbox"/>	<input type="checkbox"/>
03 Check engine at normal operating temperature	<input type="checkbox"/>	<input type="checkbox"/>
04 Check automatic transmission operation	<input type="checkbox"/>	<input type="checkbox"/>
05 Check brake and parking brake operation	<input type="checkbox"/>	<input type="checkbox"/>
06 Check steering operation & off-center/vehicle pull/flutter	<input type="checkbox"/>	<input type="checkbox"/>
07 Inspect for abnormal noise and vibration	<input type="checkbox"/>	<input type="checkbox"/>
08 Inspect for squeaks and rattles	<input type="checkbox"/>	<input type="checkbox"/>
09 Check front and rear* heater and A/C operation	<input type="checkbox"/>	<input type="checkbox"/>
10 Check cruise control operation*	<input type="checkbox"/>	<input type="checkbox"/>
11 Check front seat heater/ventilation operation*	<input type="checkbox"/>	<input type="checkbox"/>

FINAL INSPECTION AND CLEANING		
01 Remove interior protective covers, unnecessary labels, tags, etc. (Remove just before delivery to customer)	<input type="checkbox"/>	<input type="checkbox"/>
02 Visually inspect all interior parts for installation, damage, fit, dirt, etc.	<input type="checkbox"/>	<input type="checkbox"/>
03 Verify floor mat application and install using retaining clips*	<input type="checkbox"/>	<input type="checkbox"/>
04 Remove Rappgard™ and clear protective bumper film*	<input type="checkbox"/>	<input type="checkbox"/>
05 Wash and clean vehicle	<input type="checkbox"/>	<input type="checkbox"/>
06 Inspect paint finish for scratches, chips, rust, dents, damage, etc.	<input type="checkbox"/>	<input type="checkbox"/>
07 Inspect exterior body parts for proper installation, damage, rust, etc.	<input type="checkbox"/>	<input type="checkbox"/>
08 Place oil change sticker on inside of windshield, top left corner	<input type="checkbox"/>	<input type="checkbox"/>
09 Place Owner's Guide & first aid kit portfolio* in glove box	<input type="checkbox"/>	<input type="checkbox"/>
10 Perform Techstream Health Check	<input type="checkbox"/>	<input type="checkbox"/>
11 Install front license plate and mounting bracket - see page 2	<input type="checkbox"/>	<input type="checkbox"/>

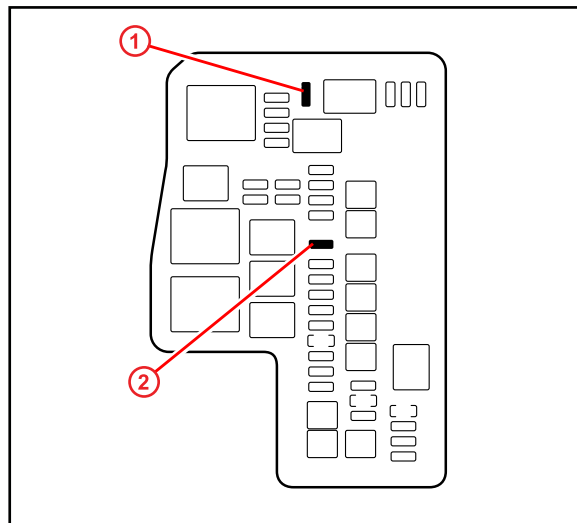
COMMENTS:

Completion and retention of this form is required to comply with Toyota's Warranty Policy.

TECHNICIAN'S SIGNATURE _____	SERVICE MANAGER'S SIGNATURE _____	We hereby certify that all items on this form have been checked and corrected for proper operation as required.	
NAME (PLEASE PRINT) _____	NAME (PLEASE PRINT) _____		
Date _____	Dealer Name _____	Dealer Code _____	Vehicle Identification Number (Sticker) _____

D/C CUT FUSE INSTALLATION

To minimize battery discharge the D/C Cut Fuse has been removed and is stored in the engine compartment Relay Block. Install the D/C Cut Fuse and confirm all related DTCs are cleared.



1 D/C Cut Fuse Storage Location 2 Install D/C Cut Fuse Here

TPWS INITIALIZATION

Refer to the Repair Manual for the [Initialization Procedure](#).

NOTE

- Please note the spare tire does NOT have a TPWS sensor.
- If performing this procedure in areas with temperatures significantly colder or warmer than shop temperature, follow the procedures outlined in Service Bulletin No. T-SB-0020-12, "Tire Inflation Pressure Compensation and Adjustment".

FRONT LICENSE PLATE & MOUNTING BRACKET INSTALLATION

1. Align holes "A" of the mounting bracket with the dimples on the front bumper cover. Mark the location of holes "B" on the front bumper cover.

NOTE

- Holes "A" are used for installation of the mounting bracket to the bumper cover.
- Holes "B" are used for the installation of the front license plate to the mounting bracket.

2. Drill two relief holes with a diameter of 11 mm (0.43 in.) at the hole "B" marks on the front bumper cover to prevent the license page retaining bolt end from contacting cover.

NOTICE

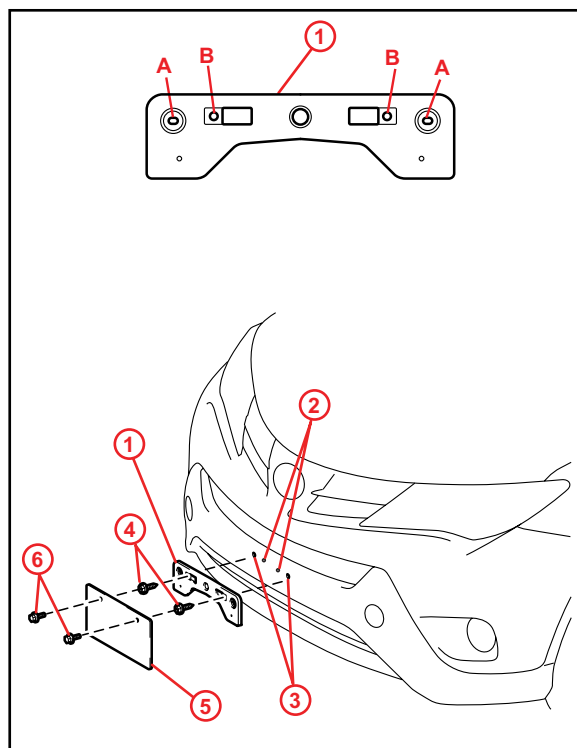
Do NOT drill at the dimples on the front bumper cover.

3. Install the mounting bracket to the front bumper cover by attaching the two self-tapping screws into the dimples.
4. Install the front license plate to the mounting bracket using bolts with the following measurements:

Length: 15.0 - 23.0 mm (0.59 - 0.91 in.)

Diameter: 6.0 mm (0.24 in.)

Pitch: 1.0 mm (0.04 in.)



1 Mounting Bracket 4 Self-Tapping Screws
2 Dimples 5 License Plate
3 Mark and Drill Holes 6 Bolts