

# Rear Brake Strut Improvement

Service  
Category Brake

Section Brake (rear)

Market USA

Toyota Supports  
ASE Certification 

## Applicability

YEAR(S)	MODEL(S)	ADDITIONAL INFORMATION
2009 – 2013	Corolla	

## Introduction

Some 2009 – 2013 Japan-built Corolla vehicles may exhibit a condition where, over time, there is a slight, but perceptible increase in brake pedal travel. This condition has no effect on braking performance. Improved rear drum brake adjusters have been developed to address this condition.

## Production Change Information

This bulletin applies to vehicles produced **BEFORE** the Production Change Effective VIN shown below.

MODEL	PLANT	PRODUCTION CHANGE EFFECTIVE VIN
Corolla	Kanto	JTDBU4EE#DJ109475

## Warranty Information

OP CODE	DESCRIPTION	TIME	OFF	T1	T2
BR1204	R & R Drum Brake Strut Kit	1.4	04943-52030	4B	41

### APPLICABLE WARRANTY

- This repair is covered under the Toyota Comprehensive Warranty. This warranty is in effect for 36 months or 36,000 miles, whichever occurs first, from the vehicle's in-service date.
- Warranty application is limited to occurrence of the specified condition described in this bulletin.

## Parts Information

PREVIOUS PART NUMBER	CURRENT PART NUMBER	PART NAME	QTY
04943-52030	04943-12040	Strut Kit, Rear Drum Brake	1

## Rear Brake Strut Improvement

### Required Tools & Equipment

SPECIAL SERVICE TOOLS (SST)	PART NUMBER	QTY
Shoe Hold Down Spring Driver	09718-00010	1
Spring Tension Tool	09921-00010	1
Plastic Pry Tool Set*	00002-06000-01	1

\* Essential SST.

**NOTE**  
Additional SSTs may be ordered by calling 1-800-933-8335.

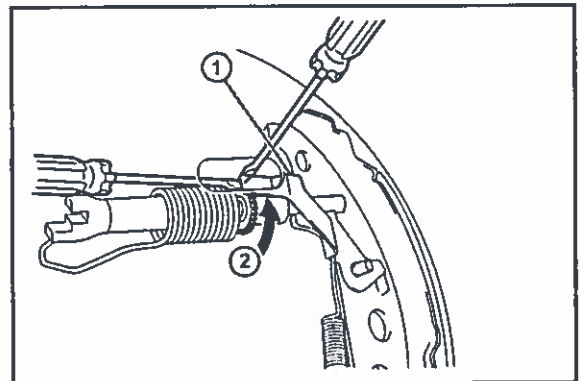
### Repair Procedure

1. Test-drive the vehicle and confirm the condition.
2. Remove rear wheels.
3. Remove the rear drums.
  - A. Disengage the parking brake.
  - B. Remove the rear drum.

**NOTE**  
If the rear drum cannot be removed easily complete steps 4 and 5, otherwise continue to step 6.

4. Remove the shoe adjusting hole plug and insert a screwdriver through the hole into the backing plate, and hold the automatic adjust lever away from the adjuster.

Figure 1.



1	Automatic Adjust Lever
2	Compress

5. Using another screwdriver, compress the brake shoe by turning the adjusting bolt.

## Rear Brake Strut Improvement

### Repair Procedure (Continued)

6. Remove the brake shoe (forward leading).

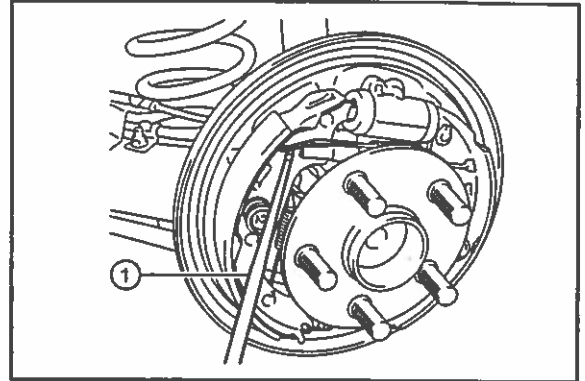
A. Using the SST, separate the shoe return spring from the rear brake shoe.

SST: 09921-00010

**NOTICE**

Be cautious NOT to damage the wheel cylinder boot with the SST or the return spring during this process.

Figure 2.

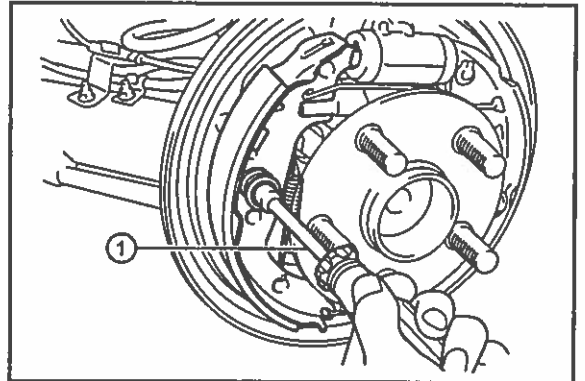


1 | SST

B. Using the SST, remove the 2 shoe hold down spring cups, shoe hold down spring, pin, and the rear brake shoe.

SST: 09718-00010

Figure 3.



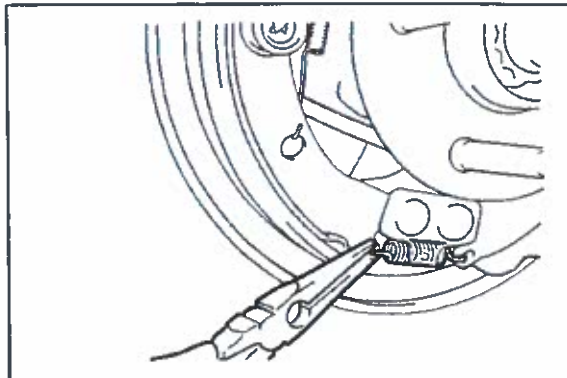
1 | SST

## Rear Brake Strut Improvement

### Repair Procedure (Continued)

- C. Remove the tension spring to the front brake shoe and rear brake shoe.

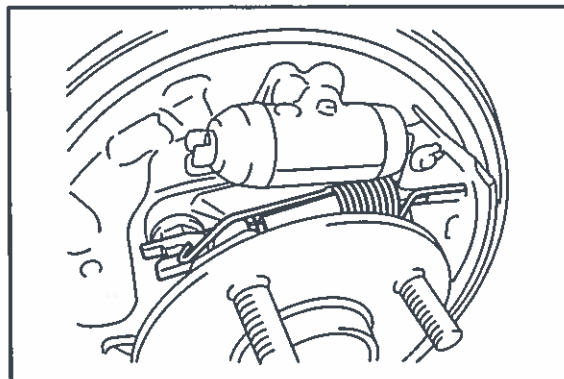
Figure 4.



- 7. Remove the rear brake strut set.

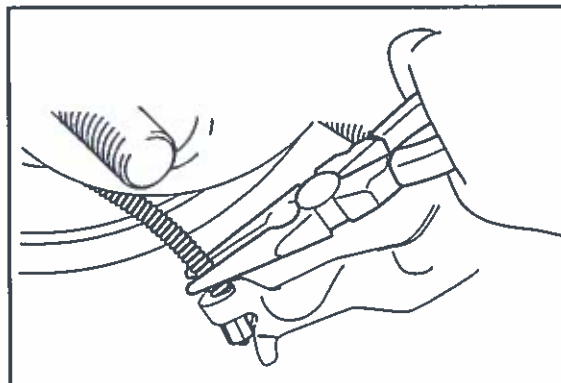
- A. Remove the shoe return spring from the rear brake shoe and remove the rear brake shoe strut set.

Figure 5.



- B. Using needle-nose pliers, separate the parking brake cable.

Figure 6.



## Rear Brake Strut Improvement

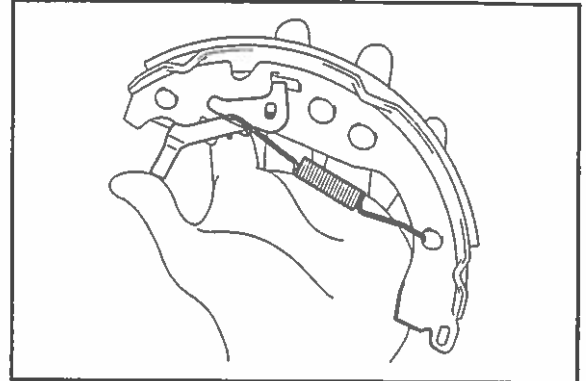
### Repair Procedure (Continued)

8. Remove the forward leading rear brake shoes from the backing plate.

**NOTE**

Since the old brake shoes are being reused, there is no need to remove the parking brake lever from the brake shoe.

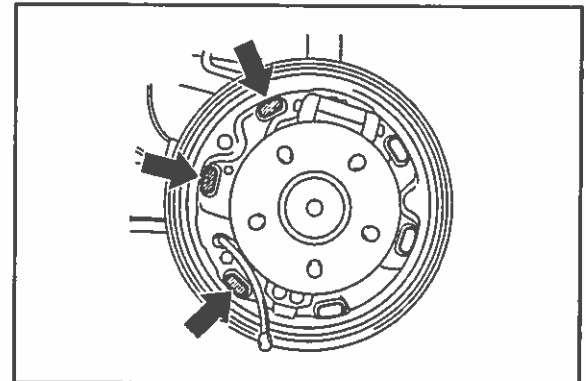
Figure 7.



9. Install the rear brake shoes with the NEW strut set.

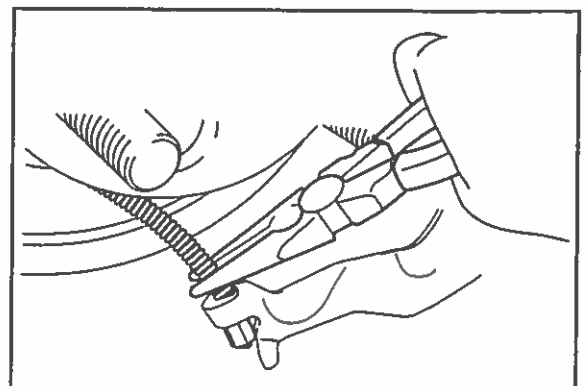
- A. Apply high temperature grease to the surface of the backing plate that contacts the forward leading brake shoe as indicated.

Figure 8. High Temperature Grease Locations



- B. Using needle-nose pliers, install the parking brake cable to the rear brake parking brake shoe lever assembly.

Figure 9.



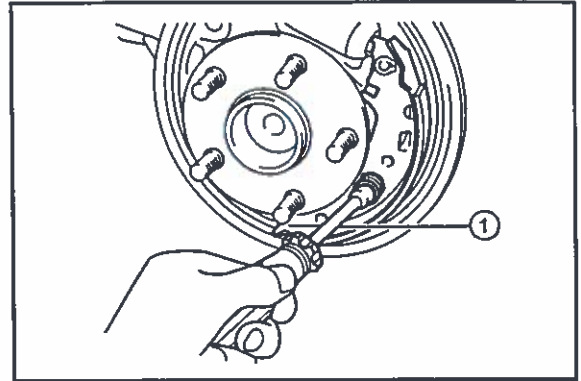
## Rear Brake Strut Improvement

### Repair Procedure (Continued)

- C. Using the SST, install the rear brake shoe, pin, and hold down spring cup.

SST: 09718-00010

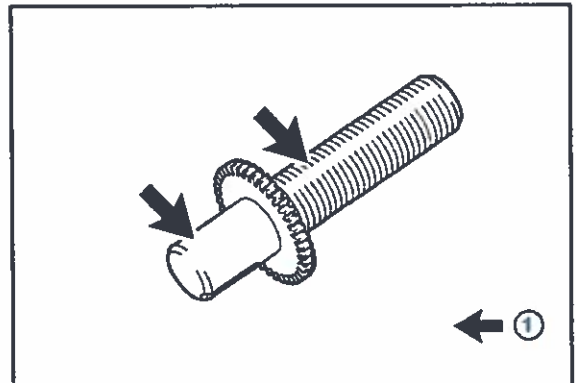
Figure 10.



1	SST
---	-----

- D. Apply high temperature grease to the NEW adjustment bolt (strut set).

Figure 11.



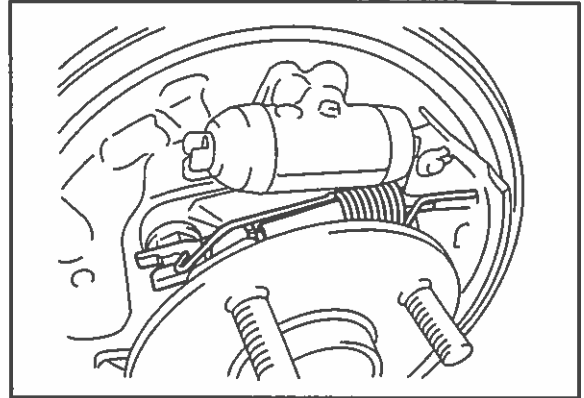
1	High Temperature Grease
---	-------------------------

## Rear Brake Strut Improvement

### Repair Procedure (Continued)

- E. Install the rear brake strut set assembly with tension spring.

Figure 12.

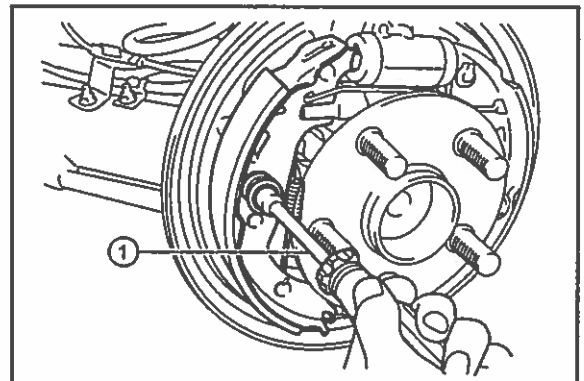


- 10. Install rear brake shoe (forward leading).

- A. Using the SST, Install the rear brake shoe, pin and hold down spring and shoe hold down spring cup.

**SST: 09921-00010**

Figure 13.



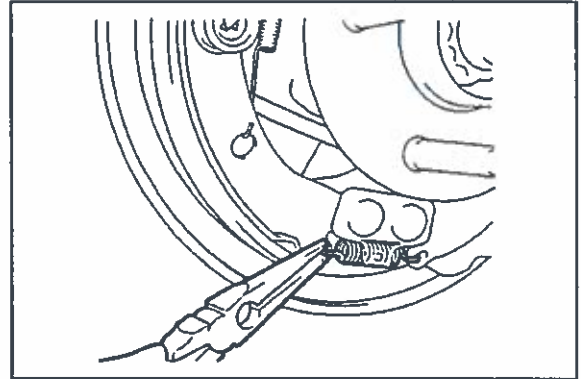
1	SST
---	-----

## Rear Brake Strut Improvement

### Repair Procedure (Continued)

- B. Using needle-nose pliers, install the tension spring to the rear brake shoe.

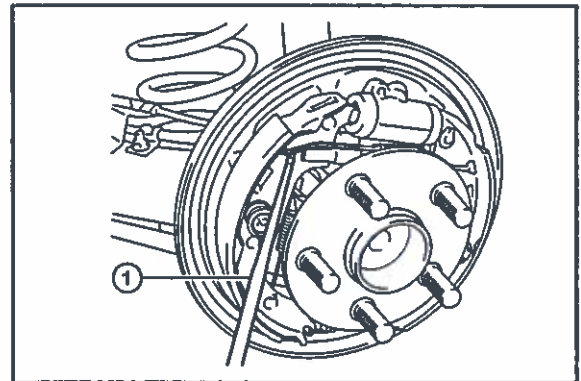
Figure 14.



- C. Using the SST, install the shoe return spring to the rear brake shoe.

SST: 09921-00010

Figure 15.



**NOTICE**

Be cautious NOT to damage the wheel cylinder boot with the SST or the return spring during this process.

1	SST
---	-----



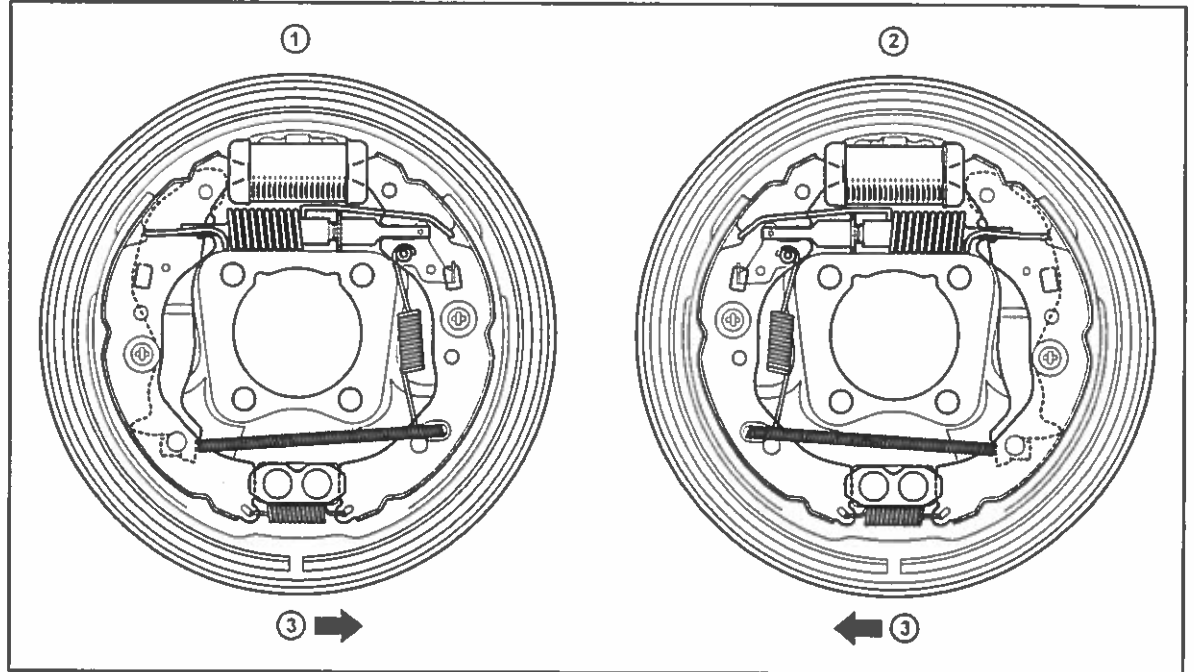
## Rear Brake Strut Improvement

### Repair Procedure (Continued)

11. Inspect rear drum brake.

A. Inspect that each part is installed properly as shown in the illustration.

Figure 16.



1	RH Side
2	LH Side

3	Front
---	-------

**NOTICE**

There should be no oil or grease on the shoes or drum.

## Rear Brake Strut Improvement

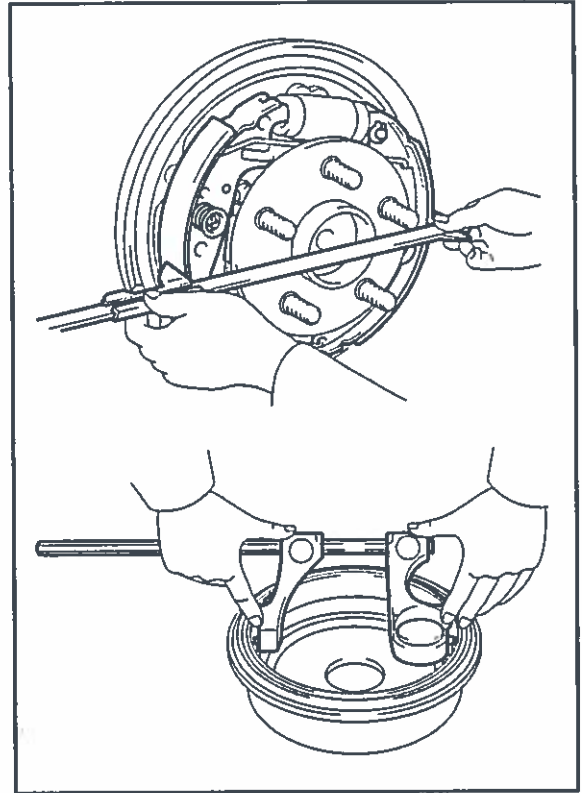
---

### Repair Procedure (Continued)

- B. Measure the brake drum inner diameter and the diameter of the brake shoes. Check that the difference between the diameters is equal to the specified shoe clearance.

Shoe clearance: 0.4 mm (0.0157 in.)

Figure 17.



- C. Install rear brake drum(s).

## Rear Brake Strut Improvement

---

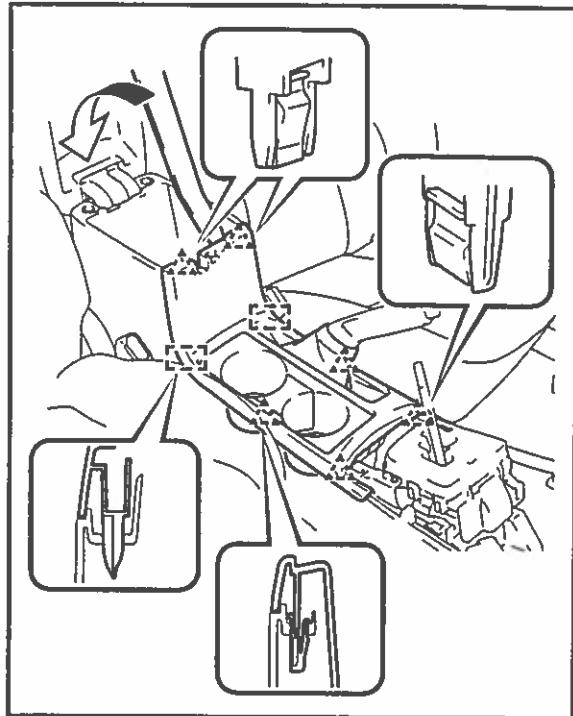
### Repair Procedure (Continued)

#### 12. Adjust parking brake lever travel.

##### A. Remove the upper console box assembly.

Using a plastic pry tool, disengage the 6 clips and 2 guides, and remove the upper console panel sub-assembly.

Figure 18.



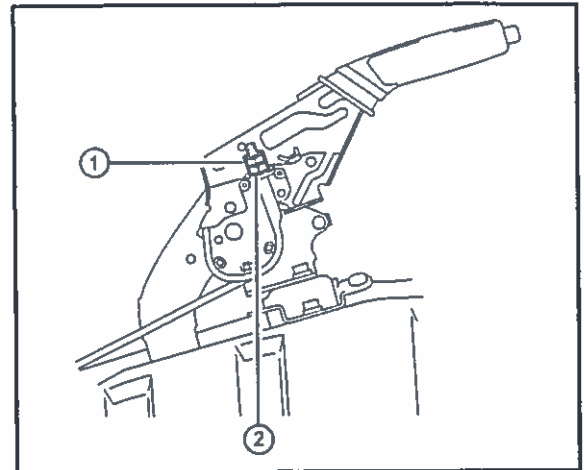
##### B. Completely release the parking brake lever.

## Rear Brake Strut Improvement

### Repair Procedure (Continued)

- C. Loosen the lock nut and the adjusting nut to completely release the cable.

Figure 19.



1	Lock Nut
2	Adjusting Nut

- D. Operate the brake lever 3 to 5 times with the engine stopped.
- E. Turn the adjusting nut until the parking brake lever travel is corrected to within the specified range.  
**Parking Brake Lever Travel: 6 to 9 notches at 200 N\*m (20 kgf\*cm, 45.0 ft\*lbf)**
- F. Using a wrench or an equivalent tool, hold the adjusting nut and tighten the lock nut.  
**Torque: 6.0 N\*m (61 kgf\*cm, 53 in\*lbf)**
- G. Operate the parking brake lever 3 to 4 times, and check the parking brake lever travel.
- H. Check for any rear brake drag and adjust as needed.

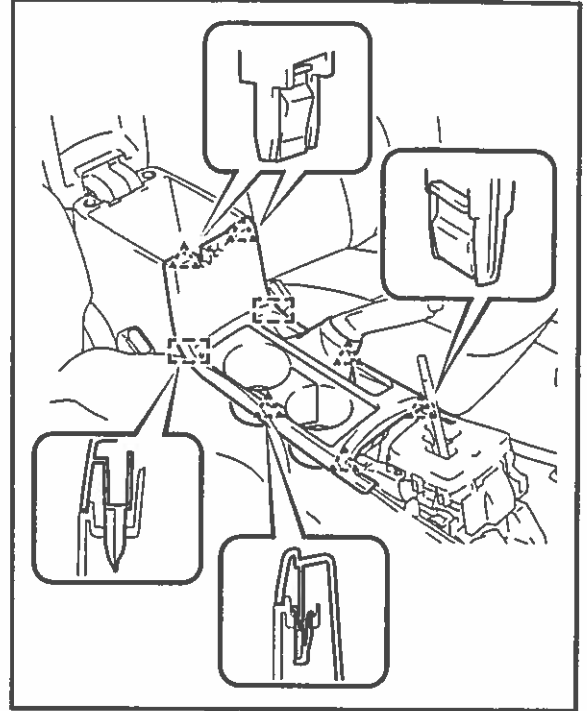
## Rear Brake Strut Improvement

---

### Repair Procedure (Continued)

- I. Install the upper console box assembly by engaging the 6 clips and 2 guides.

Figure 20.



13. Install the rear wheels and torque to specification.  
Torque: 103 N\*m (1050 kgf\*cm, 76 ft\*lbf)
14. Test-drive the vehicle and confirm proper brake operation and pedal feel.

