

1 8 15-12



## Service Information Bulletin

SUBJECT	DATE
Installation of the Oil Cooler	August 2012

### Additions, Revisions, or Updates

Publication Number / Title	Platform	Section Title	Change
DDC-SVC-MAN-0081	DD Platform	Installation of the Oil Cooler	Added torque specification sequence with graphic.

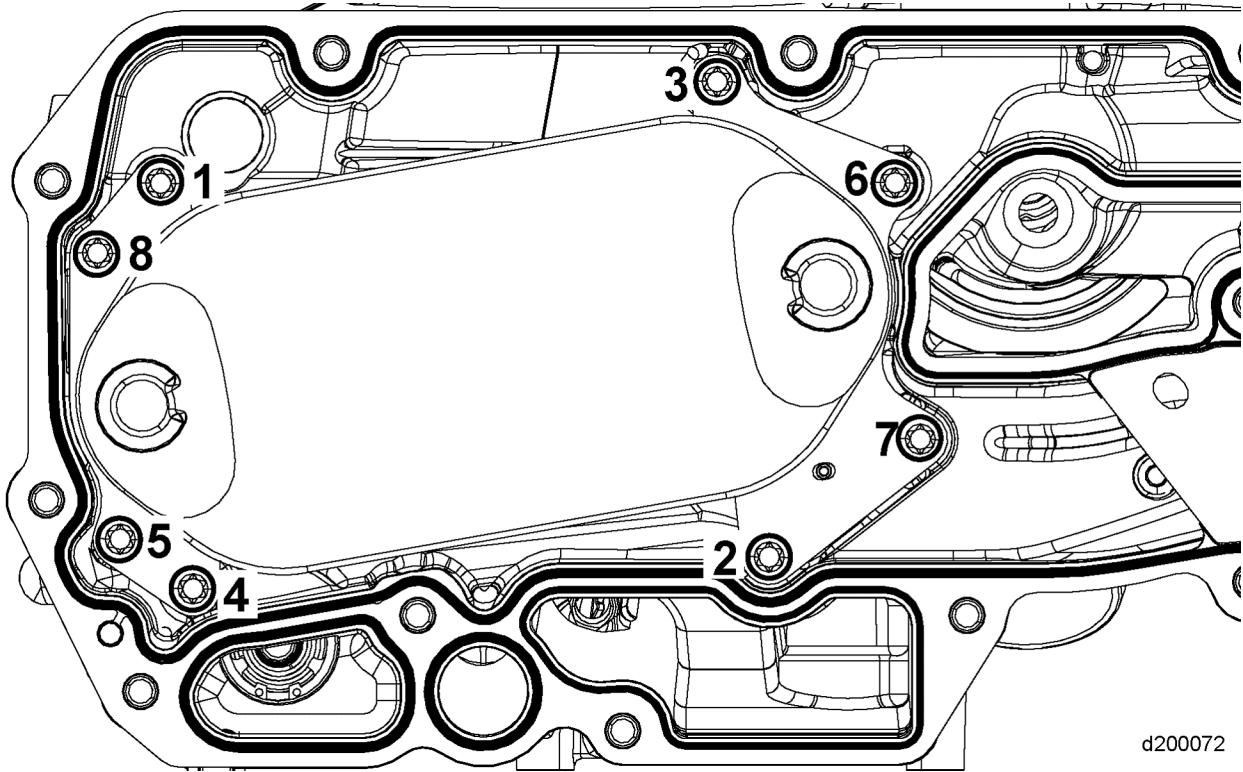


13400 Outer Drive, West, Detroit, Michigan 48239-4001  
 Telephone: 313-592-5000  
[www.demanddetroit.com](http://www.demanddetroit.com)

## 2 Installation of the Oil Cooler

Install as follows:

1. Using new O-rings, install the oil cooler to the oil coolant module.
2. Torque the eight securing bolts to 25-30 N·m (18-22 lb·ft) using the sequence below.



d200072

3. Install the oil coolant module. Refer to section "Installation of the Oil Coolant Module"